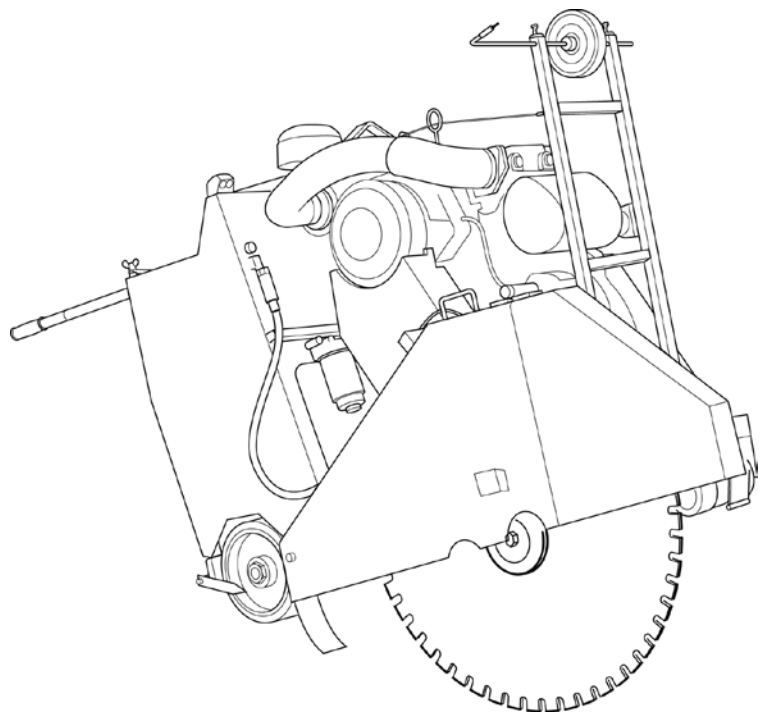


Ersatzteilliste

Spare Parts List / Liste des pièces détachées / Lista delle parti di ricambio

FSD1049★★★

Index / Indice «001»



Verwendung der Ersatzteilliste

Die Ersatzteilliste ist keine Montage- oder Demontageanleitung. Diese Ersatzteilliste dient ausschliesslich zum einfachen und schnellen Finden von Ersatzteilen, die bei der untenstehenden Adresse bestellt werden können.

Sicherheitsvorschrift



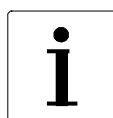
Gefahr

Montieren oder demontieren von Baugruppen kann Risiken bergen, auf die in dieser Ersatzteilliste nicht hingewiesen wird.

Das Verwenden dieser Ersatzteilliste für Montage- oder Demontagezwecke ist strikte verboten. Für Montage- und Demontearbeiten sind ausschliesslich die entsprechenden Beschreibungen in der Betriebsanleitung zu befolgen.

Nichtbeachten dieser Vorschrift kann zu Verletzungen führen, die im schlimmsten Fall auch den Tod zur Folge haben könnten.

Bestellungen



Information

Um Falschlieferungen zu vermeiden sollten vor der Versendung die Angaben in der Bestellung auf Richtigkeit und Vollständigkeit (siehe unter Bestellangaben) überprüft werden.

Es ist auch darauf zu achten, dass die Lieferadresse vollständig angegeben ist.

Bestelladresse:

TYROLIT Hydrostress AG

Witzbergstrasse 18
CH-8330 Pfäffikon
Switzerland
Tel. +41 (0) 44 / 952 18 18
Fax +41 (0) 44 / 952 18 00
e-mail: info@tyrolit.com

www.tyrolit.com

Ersatzteilliste

Bestellangaben

Bei Bestellungen von Ersatzteilen benötigen wir folgende Angaben:

- Maschinentyp gemäss Typenschild
- Maschinenummer gemäss Typenschild
- Maschinenindex gemäss Typenschild
- Ersatzteilnummer gemäss Ersatzteilliste

Für Bestellungen, Fragen und Informationen wenden Sie sich bitte an die zuständige Niederlassung.

How to use the spare parts list

The spare parts list is not intended as instructions for assembly or dismantling work. It is exclusively intended to help you to quickly and easily find spare parts, which can then be ordered at the address below.

Safety regulations



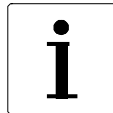
Danger

The assembling or dismantling of modules can involve risks which are not identified in this spare parts list.

The use of this spare parts list for assembly or dismantling purposes is strictly forbidden. For assembly or dismantling tasks it is essential to only follow the corresponding descriptions in the operating manual.

If this regulation is not heeded injuries may be incurred which in the worst case can also be fatal.

Ordering



Information

To avoid incorrect deliveries you should check the order details for correctness and completeness (see under ordering details) prior shipment.

You should ensure that the delivery address is given in full.

Order address:

TYROLIT Hydrostress AG

Witzbergstrasse 18
CH-8330 Pfäffikon
Switzerland
Tel. +41 (0) 44 / 952 18 18
Fax +41 (0) 44 / 952 18 00
e-mail: info@tyrolit.com

www.tyrolit.com

Spare Parts List

Ordering details

When spare parts are ordered we need the following details:

- Machine type according to nameplate
- Machine number according to nameplate
- Machine index according to nameplate
- Spare part number according to the spare parts list

For orders, questions and information please contact your responsible branch office.

Utilisation de la liste des pièces détachées

La liste des pièces détachées n'est pas une instruction de montage ou de démontage. Cette liste sert exclusivement à trouver simplement et rapidement les pièces détachées, qui peuvent être commandées à l'adresse mentionnée ci-dessous.

Prescription de sécurité



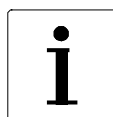
Danger

Le montage ou le démontage des modules peut présenter des risques dont il n'est pas fait mention dans cette liste des pièces détachées.

Il est strictement interdit d'employer cette liste des pièces détachées à des fins de montage ou de démontage. Pour les opérations de montage et de démontage, il faut exclusivement suivre les descriptions correspondantes dans le mode d'emploi.

Le non-respect de la présente prescription peut conduire à des blessures, pouvant même entraîner la mort.

Commandes



Information

Pour éviter des livraisons inappropriées, il est conseillé de vérifier avant l'expédition l'exactitude et l'exhaustivité des indications fournies dans la commande (voir Données de commande).

Il faut aussi veiller à bien indiquer l'adresse de livraison en entier.

Adresse de commande :

TYROLIT Hydrostress AG

Witzbergstrasse 18
CH-8330 Pfäffikon
Switzerland
Tel. +41 (0) 44 / 952 18 18
Fax +41 (0) 44 / 952 18 00
e-mail: info@tyrolit.com

www.tyrolit.com

Liste des pièces détachées

Données de commande

Lors de la commande de pièces détachées, nous avons besoin des données suivantes :

- Type de machine selon la plaque signalétique
- Numéro de machine selon la plaque signalétique
- Indice de machine selon la plaque signalétique
- Numéro de pièce détachée selon la liste des pièces détachées

Pour les commandes, questions et informations, vous êtes prié de vous adresser à la filiale compétente.

Uso della lista delle parti di ricambio

La lista delle parti di ricambio non è un manuale d'istruzioni per montaggio o smontaggio. Questa lista delle parti di ricambio serve esclusivamente per trovare in modo semplice e rapido parti di ricambio che possono essere ordinate all'indirizzo riportato qui sotto.

Norme di sicurezza



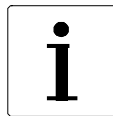
Pericolo

Il montaggio o lo smontaggio di componenti della macchina può comportare pericoli che non sono indicati in questa lista delle parti di ricambio.

E' assolutamente vietato servirsi di questa lista delle parti di ricambio per scopo di montaggio o di smontaggio. Per operazioni di montaggio o smontaggio occorre seguire esclusivamente le relative istruzioni nel manuale per l'uso della macchina.

La mancata osservanza di queste norme può comportare lesioni, e nel caso peggiore anche la morte.

Ordinazioni



Informazioni

Per evitare forniture incorrette, occorre verificare prima dell'invio dell'ordinazione se i dati indicati in essa sono corretti e completi (vedere la lista dei dati per l'ordinazione).

Occorre verificare anche se l'indirizzo per la consegna è esatto e completo.

Indirizzo per ordinazioni:

TYROLIT Hydrostress AG

Witzbergstrasse 18
CH-8330 Pfäffikon
Switzerland
Tel. +41 (0) 44 / 952 18 18
Fax +41 (0) 44 / 952 18 00
e-mail: info@tyrolit.com

www.tyrolit.com

Lista delle parti di ricambio

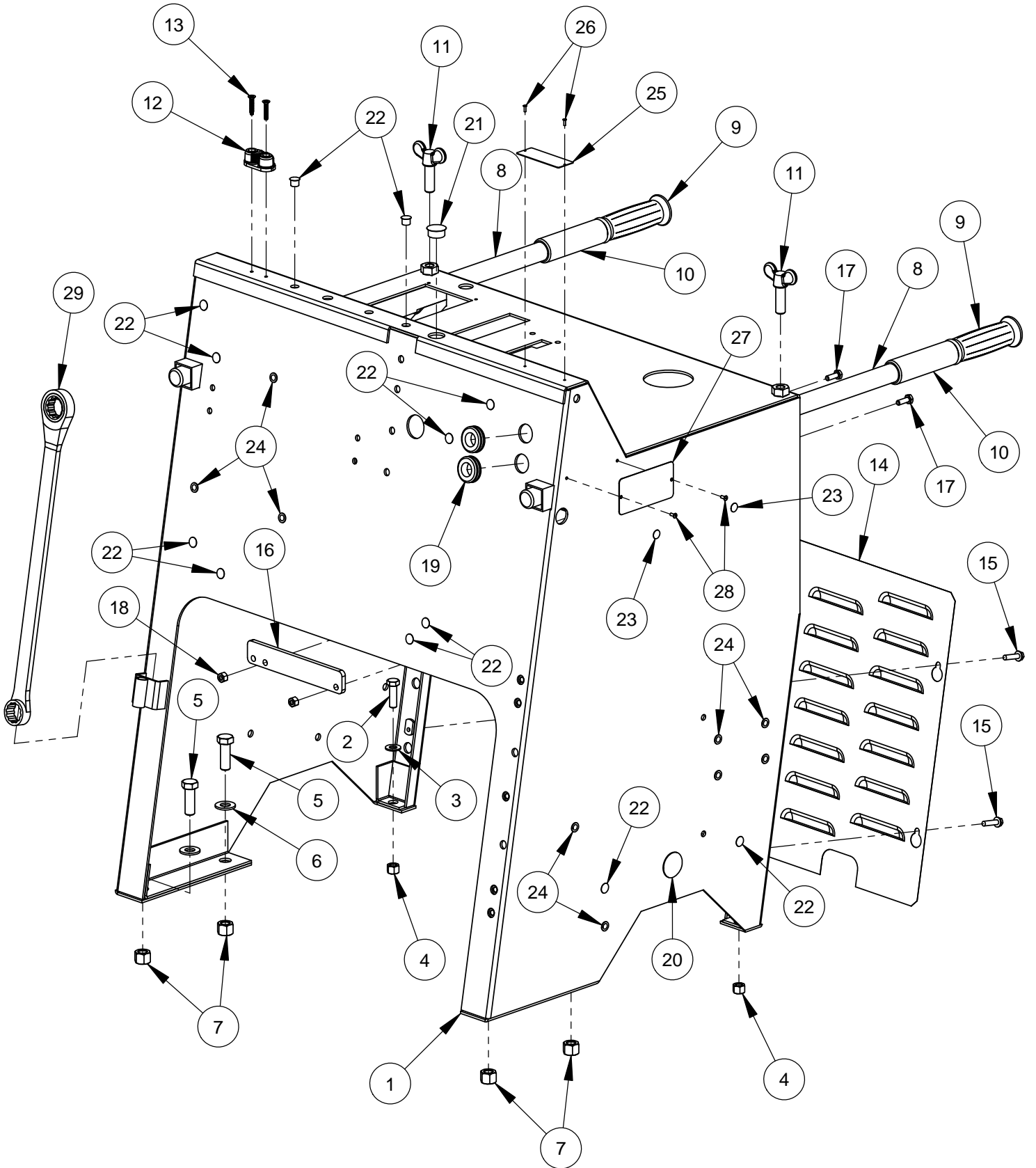
Dati per l'ordinazione

Per ordinazioni di parti di ricambio ci occorrono i dati seguenti:

- Tipo di macchina indicato sulla targhetta della macchina
- Numero della macchina indicato sulla targhetta della macchina
- Indice della macchina indicato sulla targhetta della macchina
- Numero della parte di ricambio secondo la lista di parti di ricambio

Per ordinazioni, domande o richieste d'informazioni Vi preghiamo di rivolgerVi all'agenzia competente.

Frame Upright Assembly #6010715B

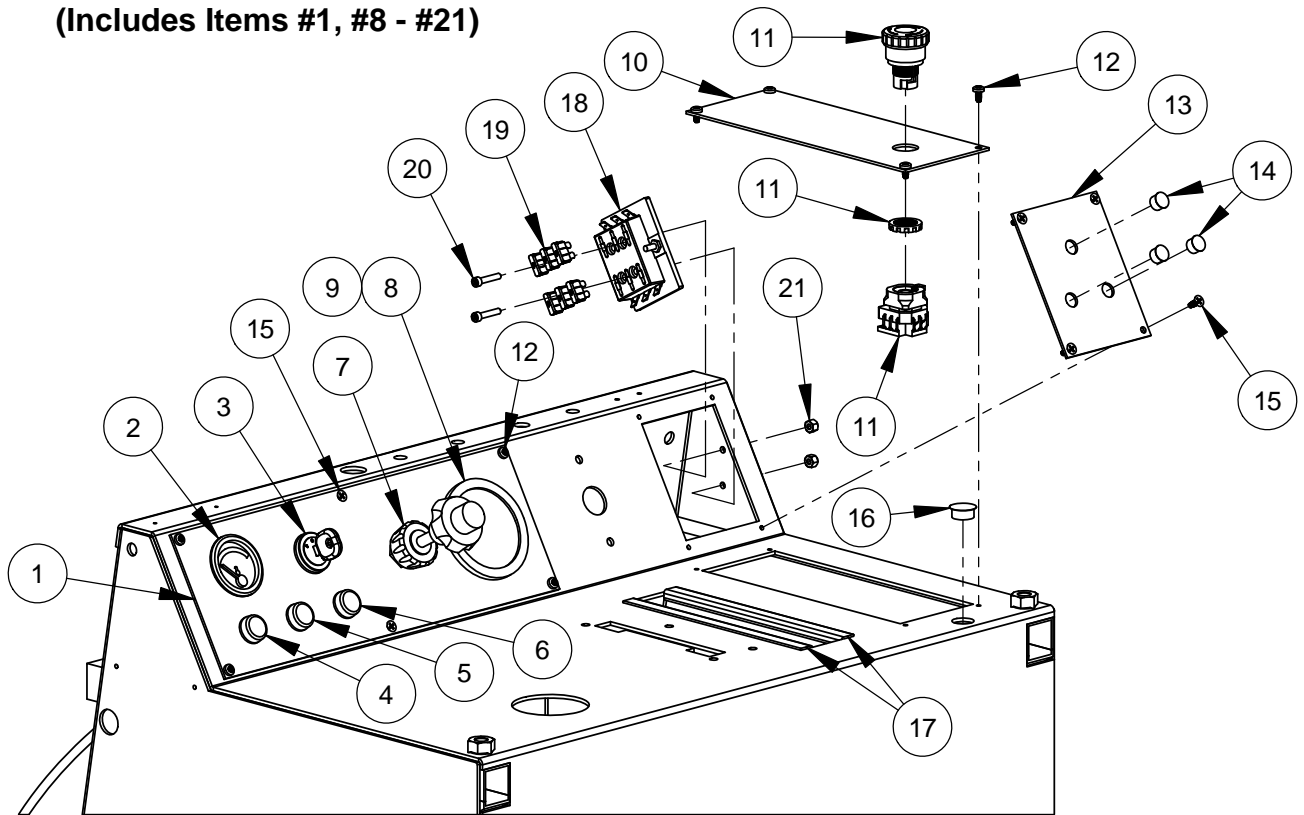


Frame Upright Assembly #6010715B (SAP# 10993433)

ITEM	PART NO.	SAP NO.	QTY.	DESCRIPTION
1	6010687	10993428	1	Frame Upright Weldment
2	2900013	966274	2	Cap Screw, Hex Hd., 3/8-16 x 1-1/4"
3	2900014	966275	2	Flat Washer, 3/8" SAE
4	2900018	966279	2	Lock Nut, 3/8-16 Nylon
5	2900499	10989715	4	Cap Screw, Hex Hd., 1/2-13 x 1-1/2"
6	2900058	966308	4	Flat Washer, 1/2" SAE
7	2900026	966286	4	Lock Nut, 1/2-13 Nylon
8	6010014	965692	2	Handle Bar, 36" Long
9	2500636	966207	2	Handle Grip
10	2501955	10985964	2	Handle Stop Grip
11	2900430	10985965	2	Hand Lock Knob, 1/2-13 x 1-1/2"
12	2501427	10988122	1	Rope Cleat
13	2900483	10989713	2	Tap Screw, Flat Hd., #10-24 x 1"
14	6010015	10986783	1	Rear Cover Screen
15	2900180	10993282	4	Cap Screw, Hex Flange Hd., 1/4-20 x 1"
16	6010166	10993393	1	Gate Cover Bar
17	2900144	966338	2	Cap Screw, Hex Hd., 1/4-20 x 3/4"
18	2900010	966271	2	Lock Nut, 1/4-20 Nylon
19	2500203	966161	2	Grommet, 3/4" I.D.
20	2501146	10993186	1	Plug, 1-1/4" Hole
21	2500549	10993178	1	Plug, 7/8" Hole
22	2501287	10993187	12	Plug, 7/16" Hole
23	2500462	966189	2	Plug, 3/8" Hole
24	2503749	10989585	9	Plug, 5/16" Hole (Tapered)
25	1800169	10989496	1	Serial Number Plate, US
26	2900096	10989676	2	Rivet, 3/32" Dia.
27	1800377	10993114	1	Serial Number Plate, CE
28	2900287	10989699	2	Rivet, 1/8" Dia.
29	2503972	10993230	1	Wrench, Ratcheting 15/16" XL

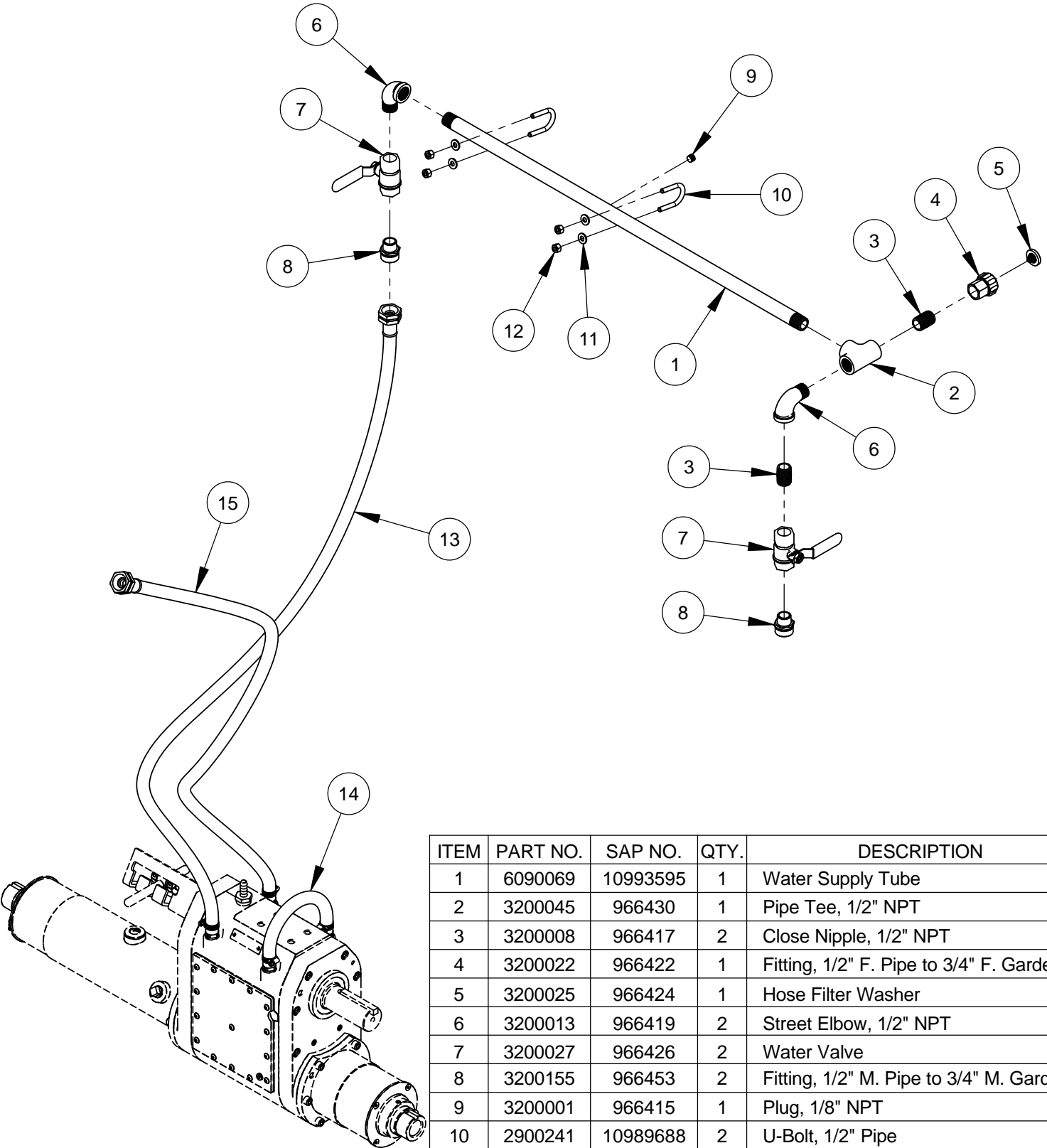
Instrument Panel Assembly #6010716 (SAP# 10993434)

(Includes Items #1, #8 - #21)



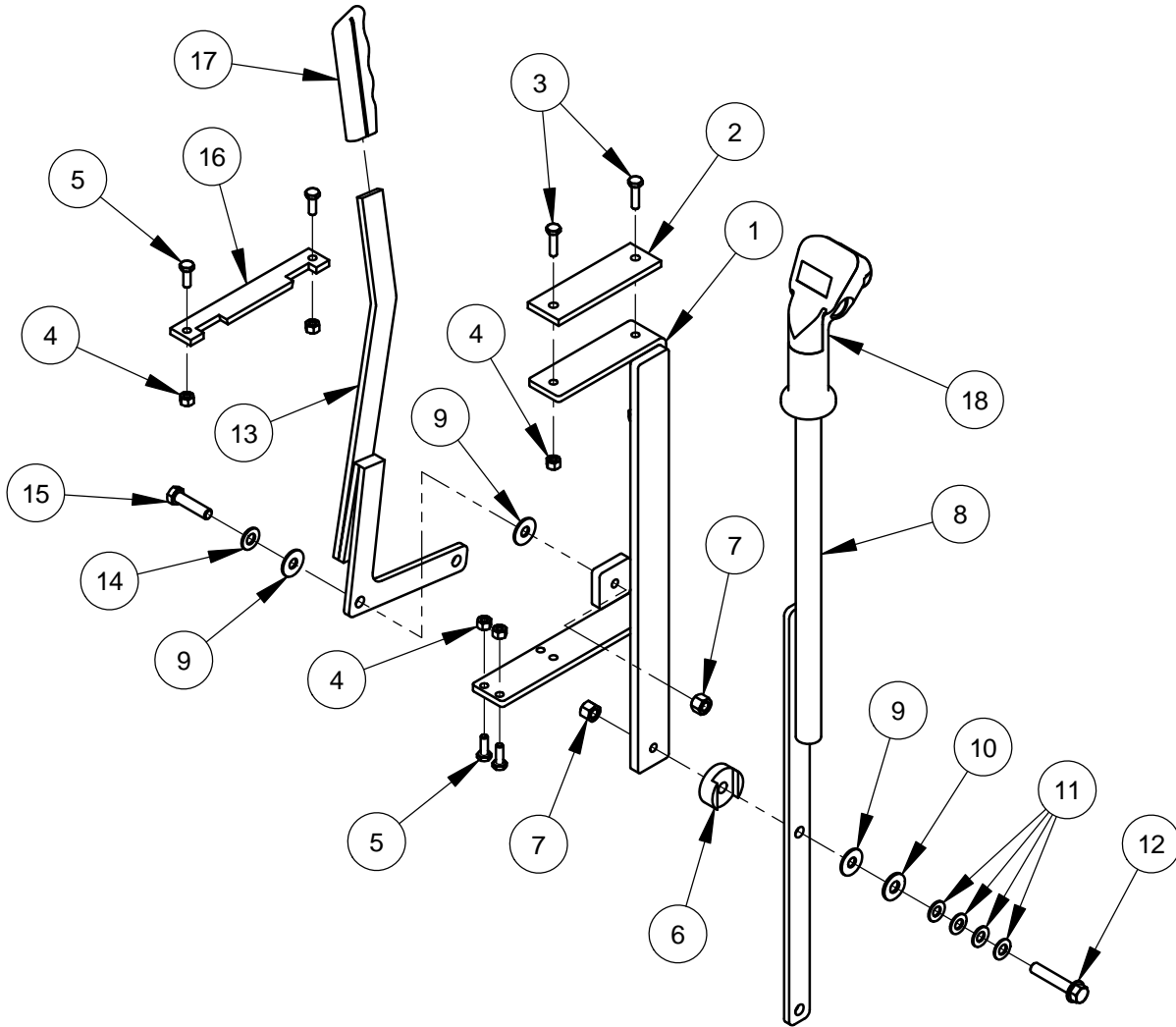
ITEM	PART NO.	SAP NO.	QTY.	DESCRIPTION
1	6013093	966631	1	Gauge Panel
2	2703192	10985974	1	Temperature Gauge, Pricol
3	2703194	10985975	1	Ignition Switch & Key
	2703195	10993248	1	Ignition Key Only, Double Cut
4	2700785	966243	1	Alternator Light
5	2700787	10993243	1	Oil Temperature Light
6	2700786	10992128	1	Oil Pressure Light
7	2500376	966173	1	Vernier Throttle Cable
8	6010416	10987201	1	Tach/Hour Meter (VDO) Calibrated 60
	2800611	10993266	2	Light Socket
	2800612	10993267	2	Light Bulb, Wedge Base
9	2400628	10989507	1	O-Ring #152
10	6010019	966482	1	Hydraulic Pump Cover Plate
11	2801367	10988543	1	E-Stop Switch
12	2900021	966282	8	Tap Screw, Pan Hd., #10-24 x 3/8"
13	6010098	966534	1	Switch Plate
14	2500204	966162	3	Plug, 1/2" Hole
15	2900445	10993295	6	Tap Screw, Flat Hd., #10-24 x 1/2"
16	2500463	10993177	1	Plug, 3/4" Hole
17	6010101	966536	2	Edge Trim 8-1/2"
18	2800388	10993260	1	Fuse Panel, 6 Circuit
19	2800389	10985949	6	Fuse, 10 Amp Red ATO/ATC
20	2900913	10993329	2	Cap Screw, Soc. Hd., #10-24 x 1"
21	2900017	966278	2	Lock Nut, #10-24 Nylon

Water Supply Assembly #6010984 (SAP# 10993476)



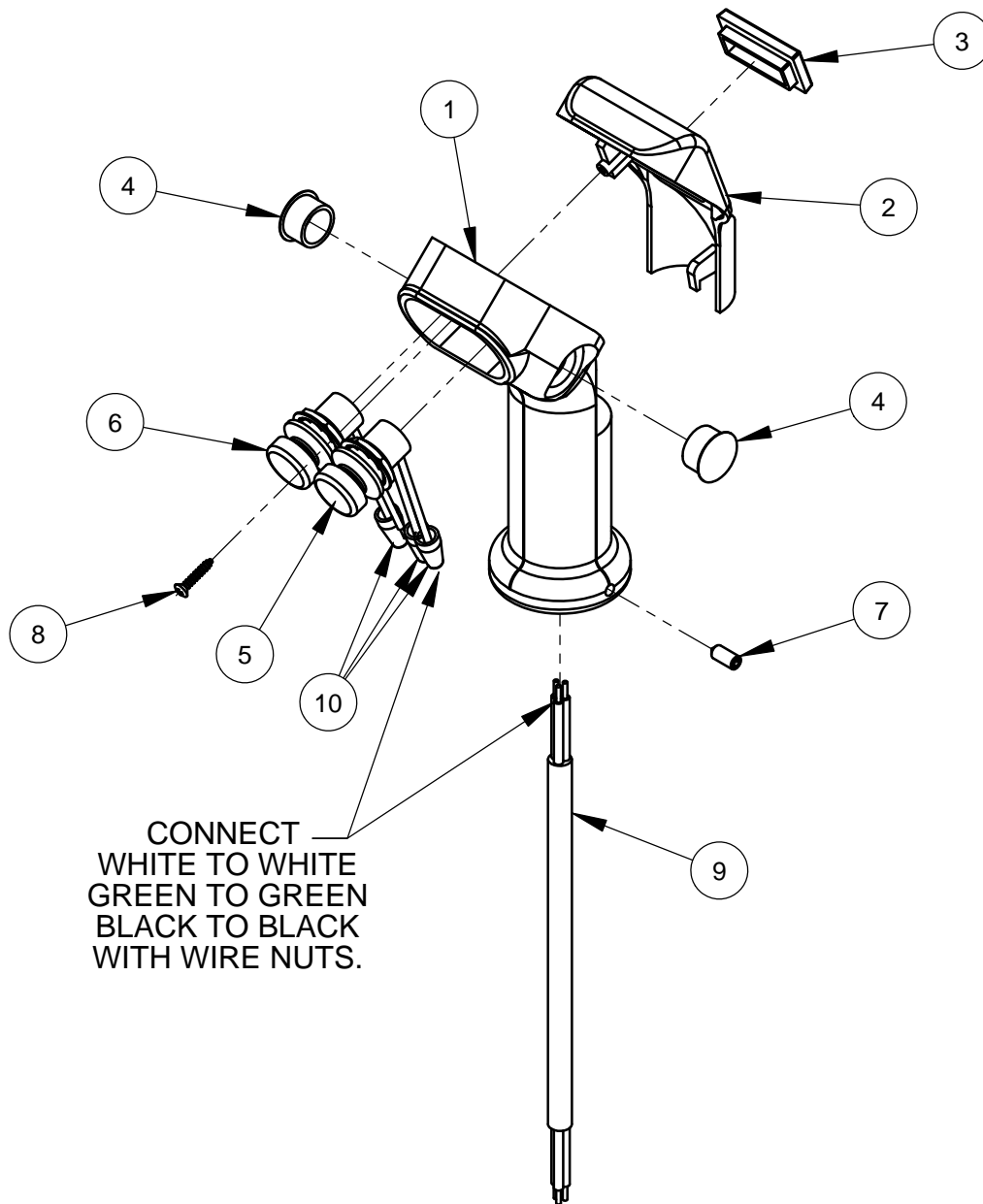
ITEM	PART NO.	SAP NO.	QTY.	DESCRIPTION
1	6090069	10993595	1	Water Supply Tube
2	3200045	966430	1	Pipe Tee, 1/2" NPT
3	3200008	966417	2	Close Nipple, 1/2" NPT
4	3200022	966422	1	Fitting, 1/2" F. Pipe to 3/4" F. Garden
5	3200025	966424	1	Hose Filter Washer
6	3200013	966419	2	Street Elbow, 1/2" NPT
7	3200027	966426	2	Water Valve
8	3200155	966453	2	Fitting, 1/2" M. Pipe to 3/4" M. Garden
9	3200001	966415	1	Plug, 1/8" NPT
10	2900241	10989688	2	U-Bolt, 1/2" Pipe
11	2900009	966270	4	Flat Washer, 1/4" SAE
12	2900010	966271	4	Lock Nut, 1/4-20 Nylon
13	6010985	10993477	1	Water Hose Assembly, 54" Long
14	6010986	10993478	1	Water Hose Assembly, 11" Long
15	6010987	10993479	1	Water Hose Assembly, 42" Long

Control Lever Assembly #6010719 (Eaton) (SAP# 10993435)



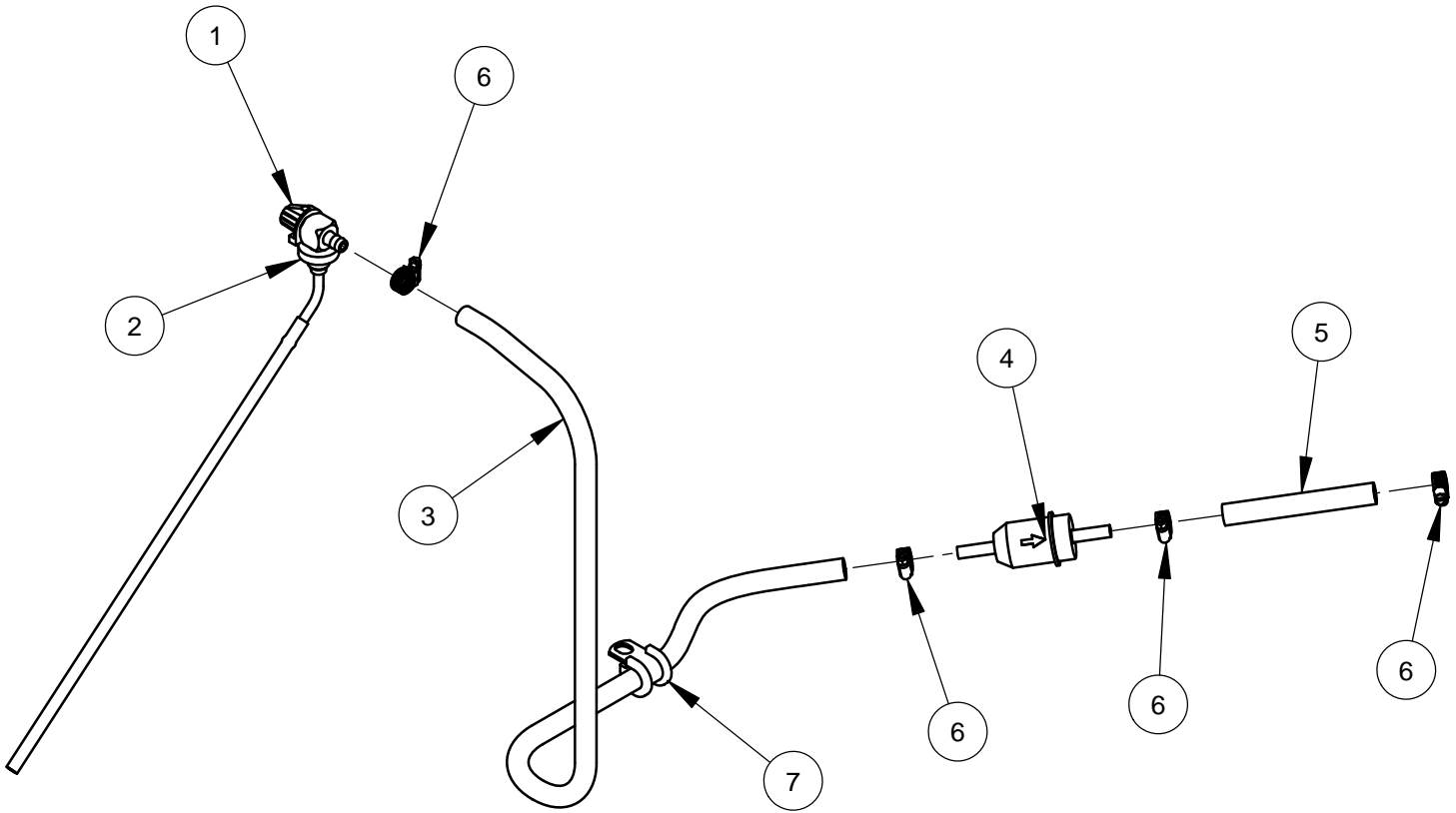
ITEM	PART NO.	SAP NO.	QTY.	DESCRIPTION
1	6010056	966502	1	Lever Support Weldment
2	2501339	10993188	1	Rubber Support Mount
3	2900008	966269	2	Cap Screw, Hex Hd., 1/4-20 x 1"
4	2900010	966271	6	Lock Nut, 1/4-20 Nylon
5	2900144	966338	4	Cap Screw, Hex Hd., 1/4-20 x 3/4"
6	6010055	966501	1	Friction Spacer
7	2900018	966279	2	Lock Nut, 3/8-16 Nylon
8	6010314	10990773	1	Speed Control Lever
9	2900153	966343	3	Friction Washer, 3/8"
10	2900473	10989711	1	Flat Washer, 3/8" USS
11	2900474	10993299	4	Belleville Washer, 3/8"
12	2900472	10993298	1	Cap Screw, Hex Flange Hd., 3/8-16 x 2"
13	6010057	966503	1	Engagement Lever Weldment
14	2900014	966275	1	Flat Washer, 3/8" SAE
15	2900029	966287	1	Cap Screw, Hex Hd., 3/8-16 x 1-1/2"
16	6010058	966504	1	Gate Plate
17	2500002	966115	1	Lever Grip
18	6010319	10984414	1	Control Grip Assembly

CONTROL GRIP ASSEMBLY #6010319 (SAP# 10984414)



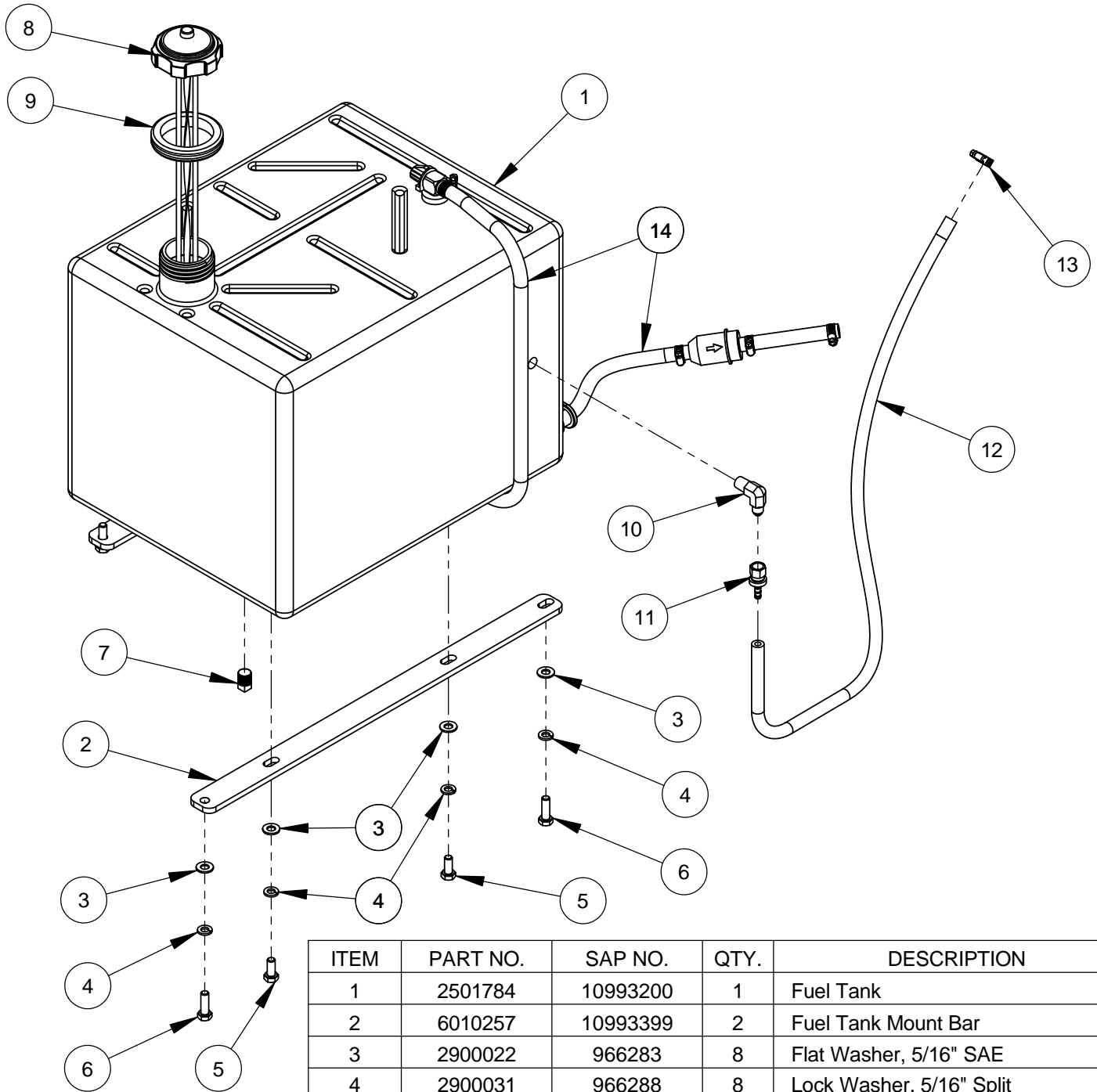
ITEM	PART NO.	SAP NO.	QTY.	DESCRIPTION
1	2501280	10989524	1	Control Grip Body
2	2501281	10989525	1	Control Grip Cover
3	2500644	10986093	1	Plug, Rectangular
4	2500694	10986094	2	Plug, 5/8" Hole
5	2800372	10985950	1	Pushbutton Switch (B&G)
6	2800373	10985951	1	Pushbutton Switch (B&W)
7	2900453	10989710	1	Set Screw, Soc. Hd., M5-0.8 x 12mm
8	2900452	10989709	1	Machine Screw, Oval Hd., #4 x 5/8"
9	2800393	10993262	1	Harness, Hydraulic Pump
10	2800002	N/A	3	Wire Nut, 22-16 Gage

Fuel Supply Assembly #6010699 (SAP# 10984870)



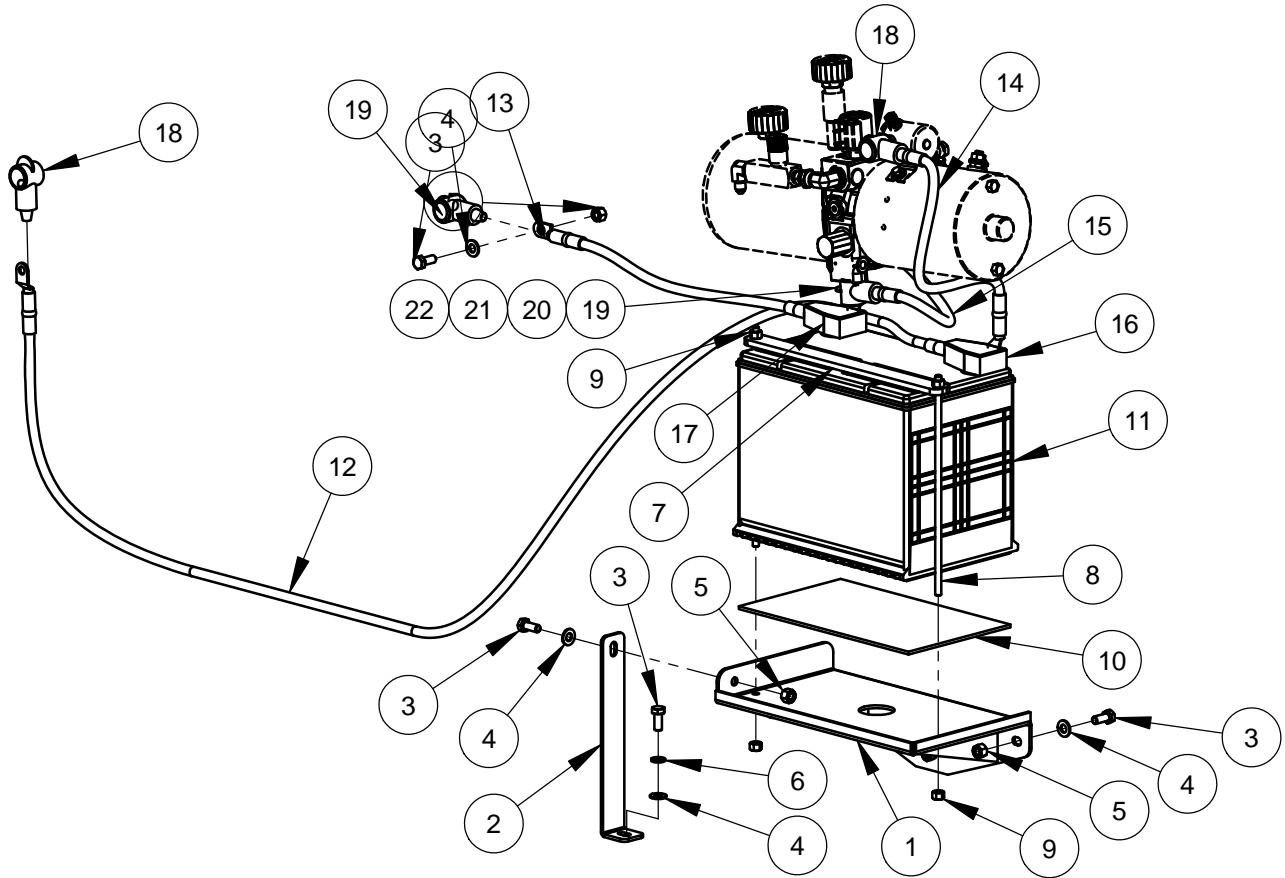
ITEM	PART NO.	SAP NO.	QTY.	DESCRIPTION
1	2501777	10993199	1	Fuel Valve w/Pick-Up
2	2501215	10989519	1	Bushing, Rubber, Tank
3	6010693	10988741	1	Fuel Supply Hose, 5/16" I.D. x 30"
4	2501785	10984871	1	Filter, Diesel Fuel
5	6013095	966632	1	Fuel Line Hose, 5/16" I.D. x 4"
6	3200062	966437	4	Hose Clamp #4
7	2501434	10989529	1	Hose Clamp, 5/8" x 3/4" Wide

Fuel Tank Assembly #6010700 (SAP# 10993429)



ITEM	PART NO.	SAP NO.	QTY.	DESCRIPTION
1	2501784	10993200	1	Fuel Tank
2	6010257	10993399	2	Fuel Tank Mount Bar
3	2900022	966283	8	Flat Washer, 5/16" SAE
4	2900031	966288	8	Lock Washer, 5/16" Split
5	2900019	966280	4	Cap Screw, Hex Hd., 5/16-18 x 3/4"
6	2900138	966332	4	Cap Screw, Hex Hd., 5/16-18 x 1"
7	3200206	10993378	1	Pipe Plug, 1/4" NPT
8	2504786	10993239	1	Fuel Tank Cap & Gauge
9	2500205	966163	1	Fuel Tank Grommet
10	3200057	966435	1	Elbow, 1/4" M. Pipe to 1/4" M. JIC
11	3200091	966444	1	Fitting, 1/4" F. JIC to 1/4" Push Lock
12	6010103	10993392	1	Fuel Return Hose, 1/4" I.D. x 32"
13	3200062	966437	1	Hose Clamp #4
14	6010699	10984870	1	Fuel Supply Assembly

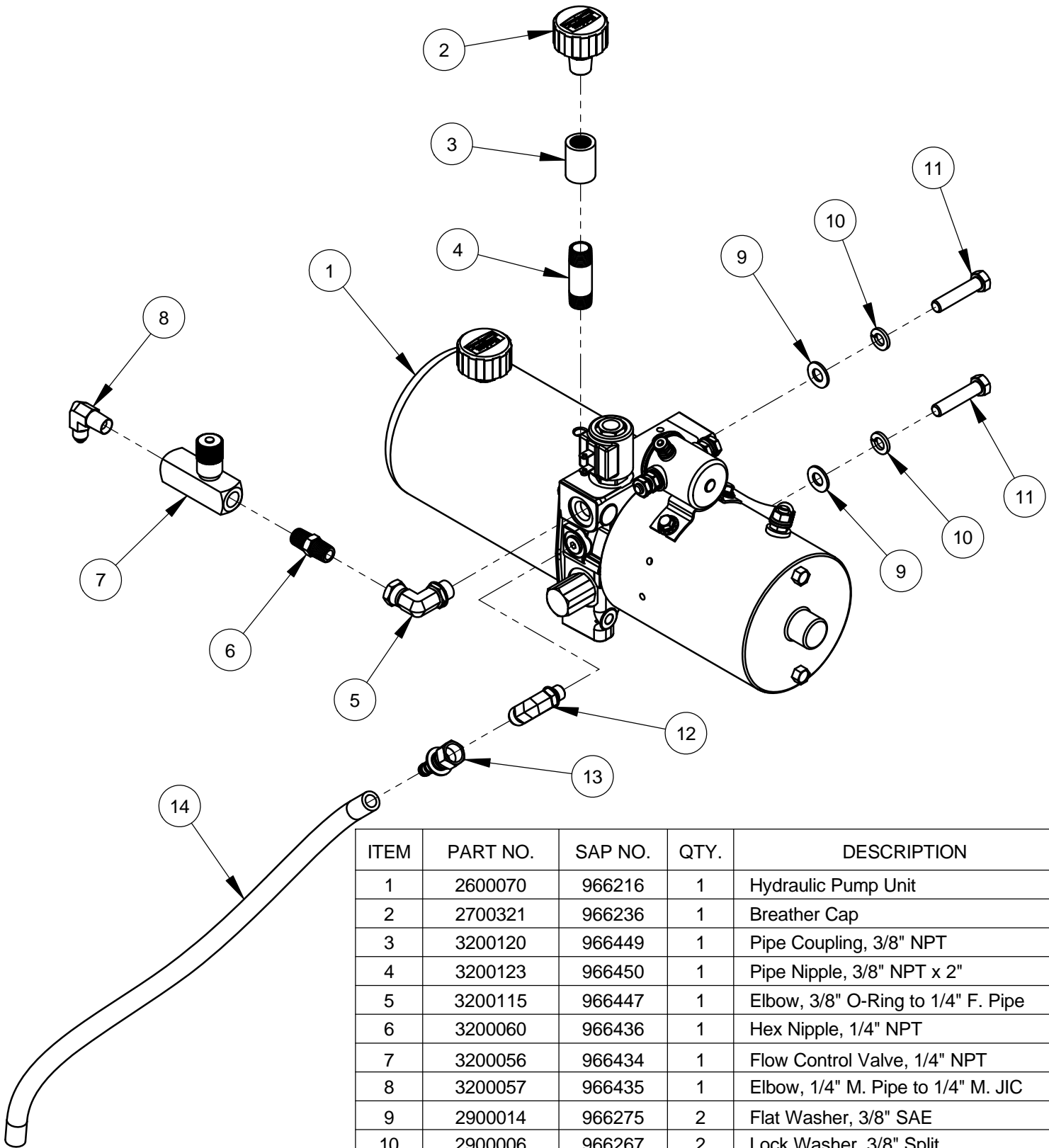
Battery Assembly #6010721 (SAP# 10993436)



ITEM	PART NO.	SAP NO.	QTY.	DESCRIPTION
1	6010670	10993421	1	Battery Platform
2	6010554	10993410	1	Battery Support Brace
3	2900019	966280	6	Cap Screw, Hex Hd., 5/16-18 x 3/4"
4	2900022	966283	6	Flat Washer, 5/16" SAE
5	2900039	966296	5	Lock Nut, 5/16-18 Nylon
6	2900031	966288	1	Lock Washer, 5/16" Split
7	6010017	966480	1	Battery Top Brace
8	6010344	10993403	2	Rod, 1/4-20 x 9-1/2"
9	2900010	966271	4	Lock Nut, 1/4-20 Nylon
10	6010016	966479	1	Battery Pad
11	2800465	10985246	1	Battery, 12 Volt Group Size 24
12	2800073	966254	1	Battery Cable, 64" Positive (Red)
13	2800072	966253	1	Battery Cable, 30" Negative (Black)
14	2800095	966255	1	Solenoid Cable, 14" Positive (Red)
15	2800182	966258	1	Ground Cable, 14" Negative (Black)
16	2800256	10989644	1	Battery Boot, Large (Red)
17	2800257	10989645	1	Battery Boot, Large (Black)
18	2800197	966259	2	Battery Boot, Small (Red)
19	2800198	966260	2	Battery Boot, Small (Black)
20	2900014	966275	1	Flat Washer, 3/8" SAE
21	2900006	966267	1	Lock Washer, 3/8" Split
22	2900196	10989685	1	Cap Screw, Hex Hd., 3/8-16 x 3/4"

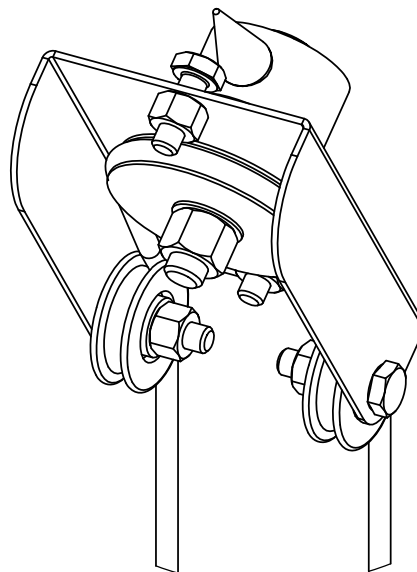
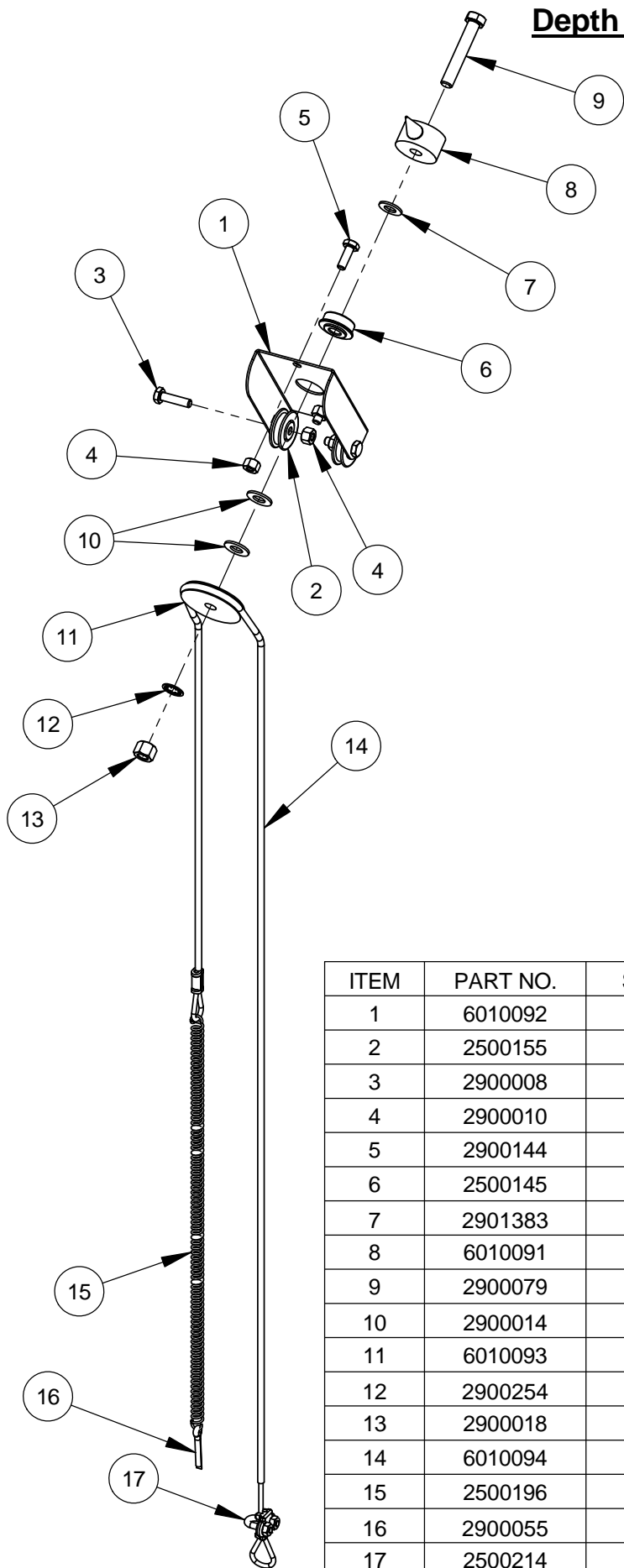
Hydraulic Pump Assembly #6010213 (SAP# 966563)

(Includes Items #1 - #11)



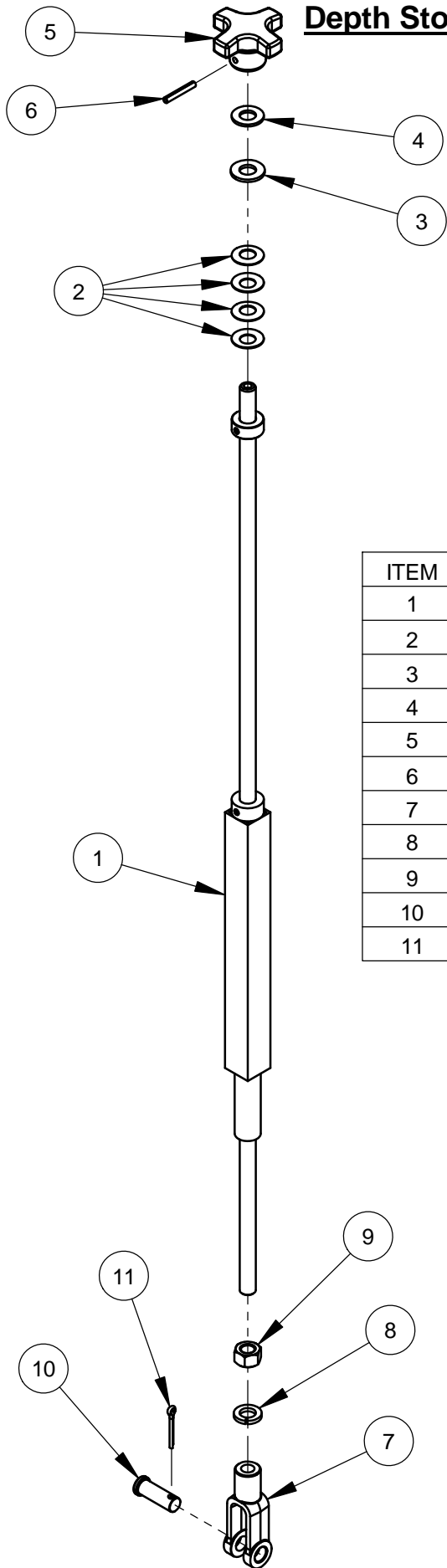
ITEM	PART NO.	SAP NO.	QTY.	DESCRIPTION
1	2600070	966216	1	Hydraulic Pump Unit
2	2700321	966236	1	Breather Cap
3	3200120	966449	1	Pipe Coupling, 3/8" NPT
4	3200123	966450	1	Pipe Nipple, 3/8" NPT x 2"
5	3200115	966447	1	Elbow, 3/8" O-Ring to 1/4" F. Pipe
6	3200060	966436	1	Hex Nipple, 1/4" NPT
7	3200056	966434	1	Flow Control Valve, 1/4" NPT
8	3200057	966435	1	Elbow, 1/4" M. Pipe to 1/4" M. JIC
9	2900014	966275	2	Flat Washer, 3/8" SAE
10	2900006	966267	2	Lock Washer, 3/8" Split
11	2900047	966301	2	Cap Screw, Hex Hd., 3/8-16 x 1-3/4"
12	3200116	966448	1	Elbow, 1/4" O-Ring to 3/8" M. JIC
13	3200046	966431	1	Fitting, 3/8" F. JIC to 3/8" Push Lock
14	6010059	966505	1	Clear Hose, 3/8" I.D. x 19"

Depth Indicator Assembly #6010214 (SAP#966564)



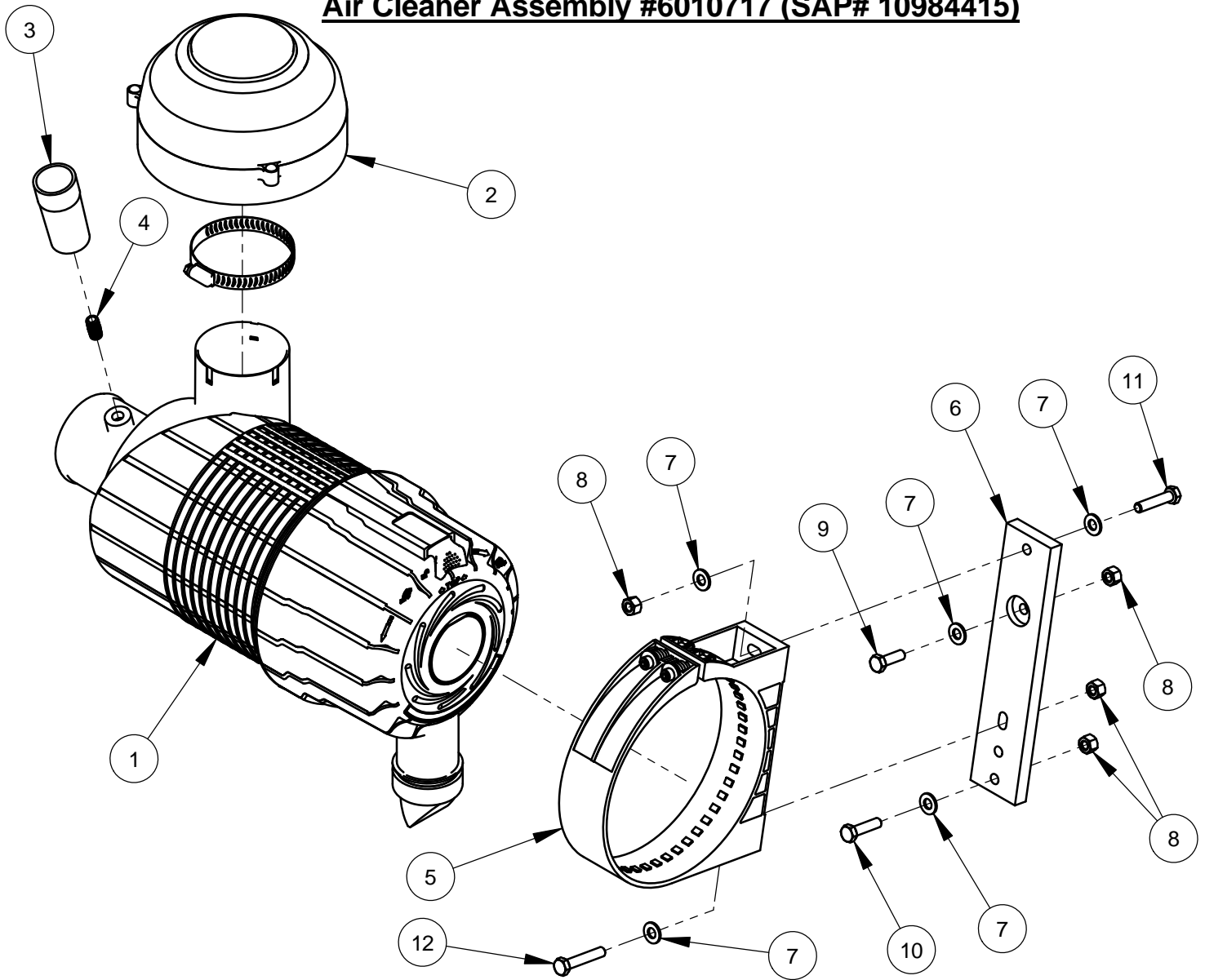
ITEM	PART NO.	SAP NO.	QTY.	DESCRIPTION
1	6010092	966529	1	Depth Indicator Mount Bracket
2	2500155	966150	2	Cable Pulley, 1-1/4"
3	2900008	966269	2	Cap Screw, Hex Hd., 1/4-20 x 1"
4	2900010	966271	4	Lock Nut, 1/4-20 Nylon
5	2900144	966338	2	Cap Screw, Hex Hd., 1/4-20 x 3/4"
6	2500145	966142	1	Flange Bearing, 3/8"
7	2901383	N/A	1	Friction Washer, 3/8"
8	6010091	966528	1	Depth Indicator Pointer
9	2900079	966320	1	Cap Screw, Hex Hd., 3/8-16 x 2-1/4"
10	2900014	966528	2	Flat Washer, 3/8" SAE
11	6010093	966530	1	Cable Pulley, 2"
12	2900254	N/A	1	Lock Washer, 3/8" Internal Tooth
13	2900018	966279	1	Lock Nut, 3/8-16 Nylon
14	6010094	966531	1	Depth Indicator Cable with Crimp, 48"
15	2500196	966159	1	Spring, 3/8" x 15"
16	2900055	966306	1	Cotter Pin, 3/16" x 1"
17	2500214	966167	1	Cable Clamp

Depth Stop Assembly #6010215 (SAP# 966565)



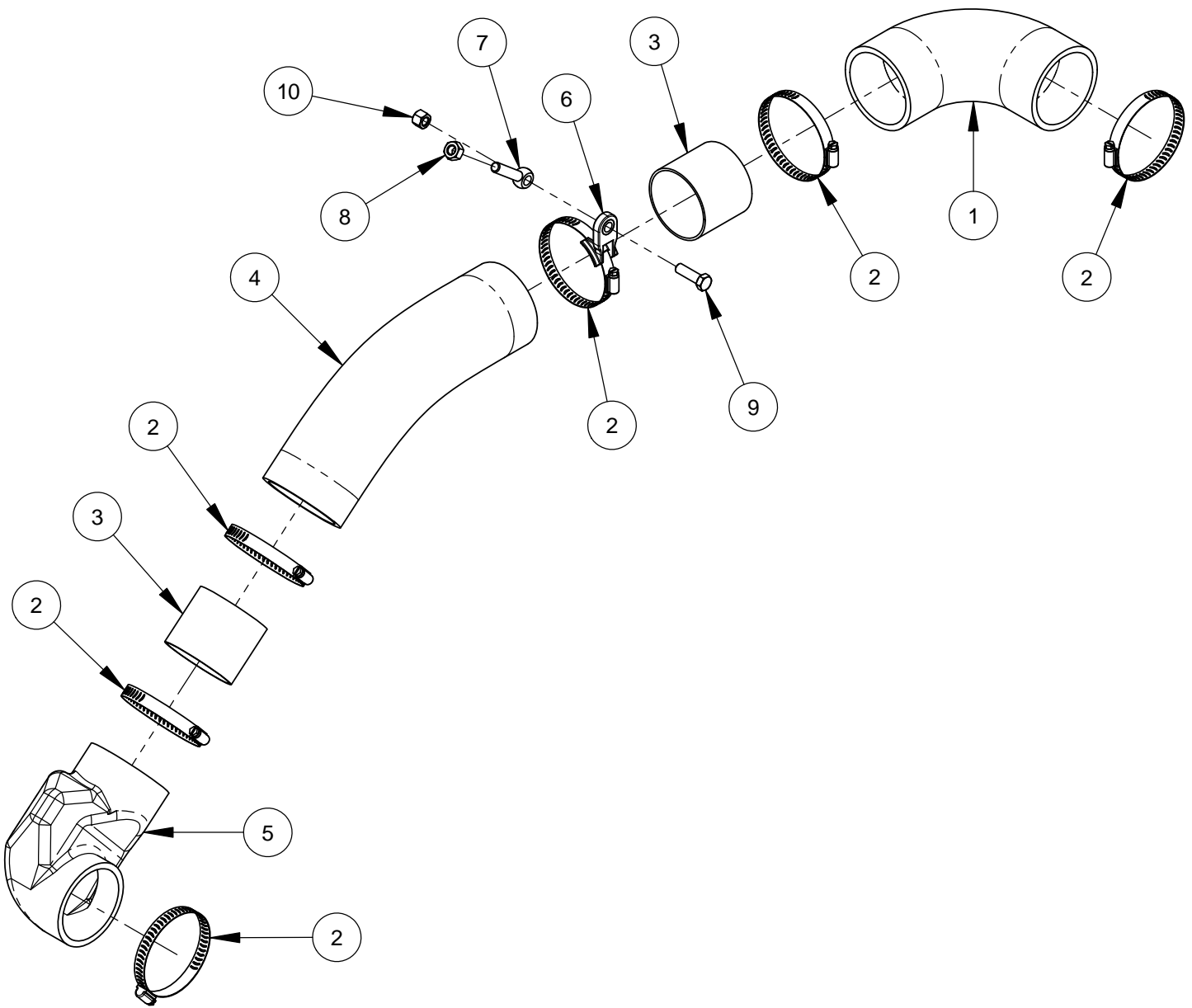
ITEM	PART NO.	SAP NO.	QTY.	DESCRIPTION
1	6010097	966533	1	Depth Stop Weldment
2	2900665	10993311	4	Belleville Washer, 1/2"
3	2900058	966308	1	Flat Washer, 1/2" SAE
4	2900239	966365	1	Friction Washer, 1/2"
5	6010095	966532	1	Depth Stop Knob
6	2900132	966327	1	Roll Pin, 3/16" x 1-1/4"
7	2900158	966347	1	Yoke, 1/2-13
8	2900084	966321	1	Lock Washer, 1/2" Split
9	2900037	966294	1	Hex Nut, 1/2-13
10	2900007	966268	1	Clevis Pin, 1/2" Dia. x 1-3/8"
11	2900004	966265	1	Cotter Pin, 1/8" x 1"

Air Cleaner Assembly #6010717 (SAP# 10984415)



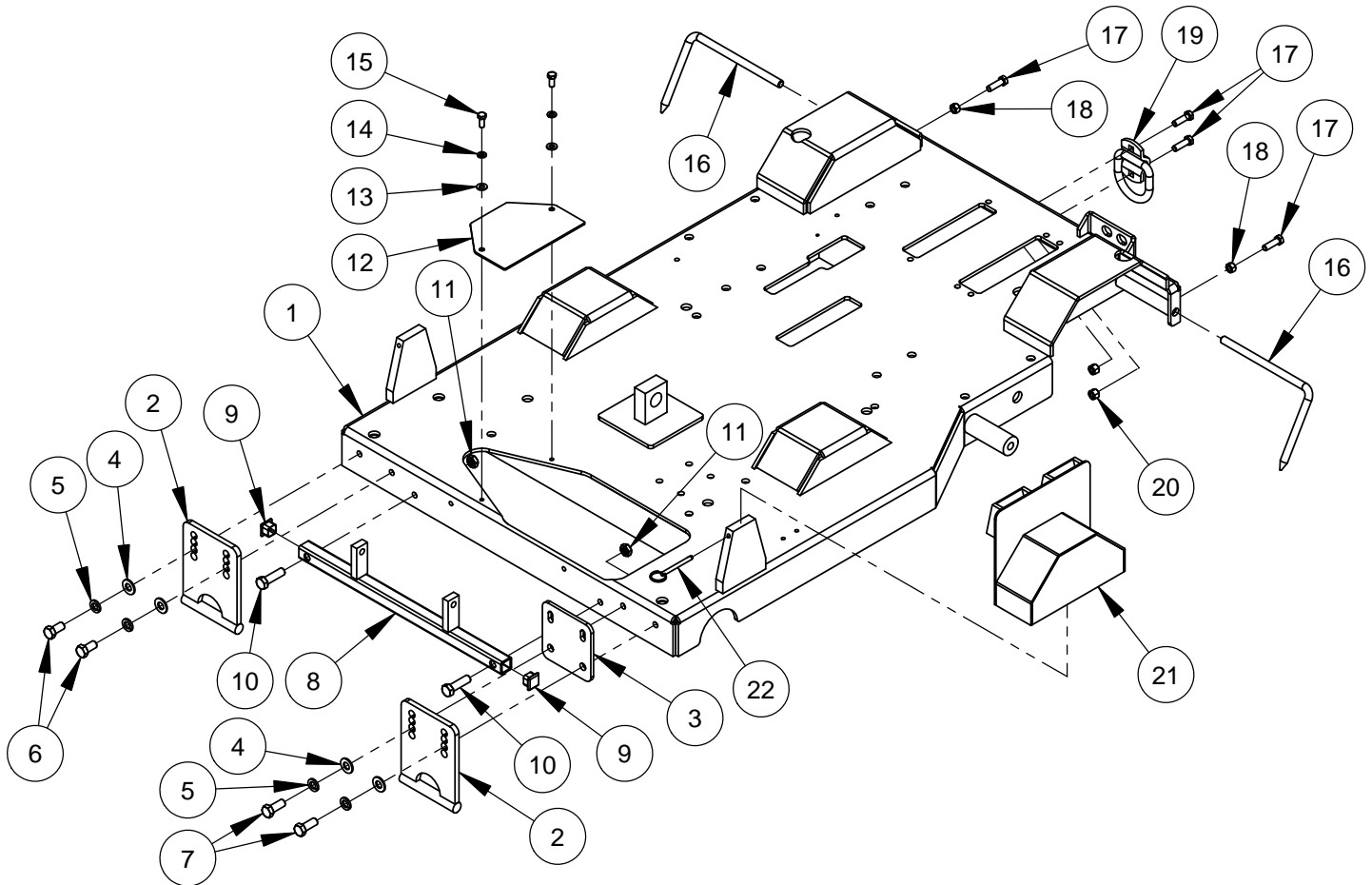
ITEM	PART NO.	SAP NO.	QTY.	DESCRIPTION
1	2501384	10984872	1	Air Cleaner Complete
	2501386	10985952	1	Outer Primary Filter
	2501387	10985953	1	Inner Safety Filter
	2500239	10986889	1	Rubber Dust Ejector Boot
2	2501388	10988640	1	Pre-Cleaner with Clamp
3	2500423	966179	1	Restriction Indicator
4	3200117	10989779	1	Close Nipple, 1/8" NPT
5	2501385	10993189	1	Mounting Band, Polymer
6	6010325	10988718	1	Air Cleaner Mount Spacer
7	2900022	966283	5	Flat Washer, 5/16" SAE
8	2900039	966296	4	Lock Nut, 5/16-18 Nylon
9	2900138	966332	1	Cap Screw, Hex Hd., 5/16-18 x 1"
10	2900217	10989686	1	Cap Screw, Hex Hd., 5/16-18 x 1-1/4"
11	2900508	10993302	1	Cap Screw, Hex Hd., 5/16-18 x 1-1/2"
12	2900538	10993303	1	Cap Screw, Hex Hd., 5/16-18 x 1-3/4"

Air Intake Assembly #6010939 (SAP# 10993448)



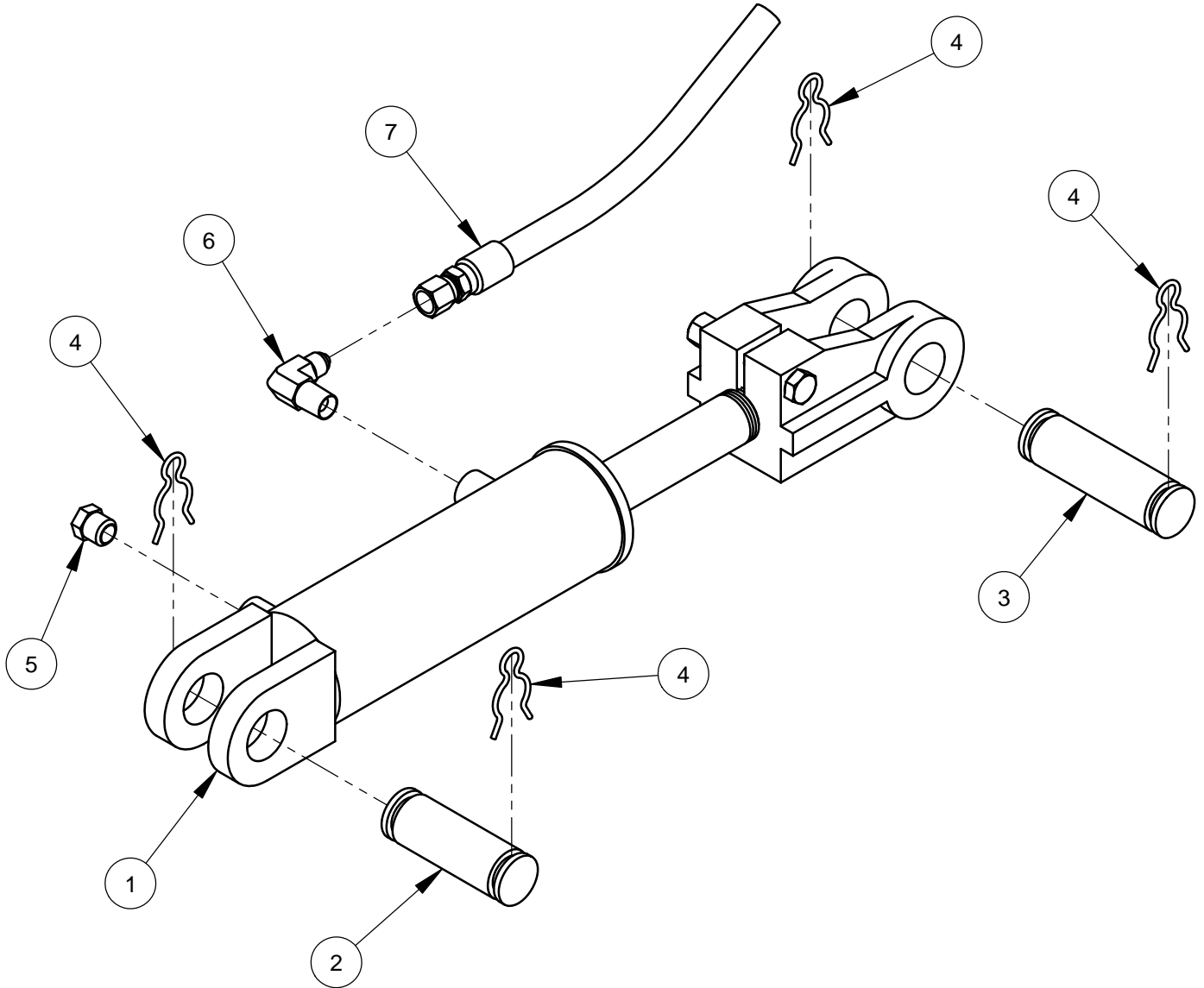
ITEM	PART NO.	SAP NO.	QTY.	DESCRIPTION
1	2500669	10987612	1	Hose Elbow, 3" I.D.
2	3200197	966463	6	Hose Clamp #52
3	6010559	10993412	2	Connector Tube, 3" O.D.
4	6010983	10993475	1	Air Cleaner Hose, 3" I.D. x 12"
5	2501660	10993191	1	Hose Elbow, 3" I.D. Cobra
6	2501753	10991311	1	Hose Mount Support
7	2900592	10993307	1	Eyebolt, M10 x 50mm
8	2900325	966394	1	Hex Nut, M10-1.5
9	2900013	966274	1	Cap Screw, Hex Hd., 3/8-16 x 1-1/4"
10	2900018	966279	1	Lock Nut, 3/8-16 Nylon

Frame Base Assembly #6010940 (SAP# 10993449)



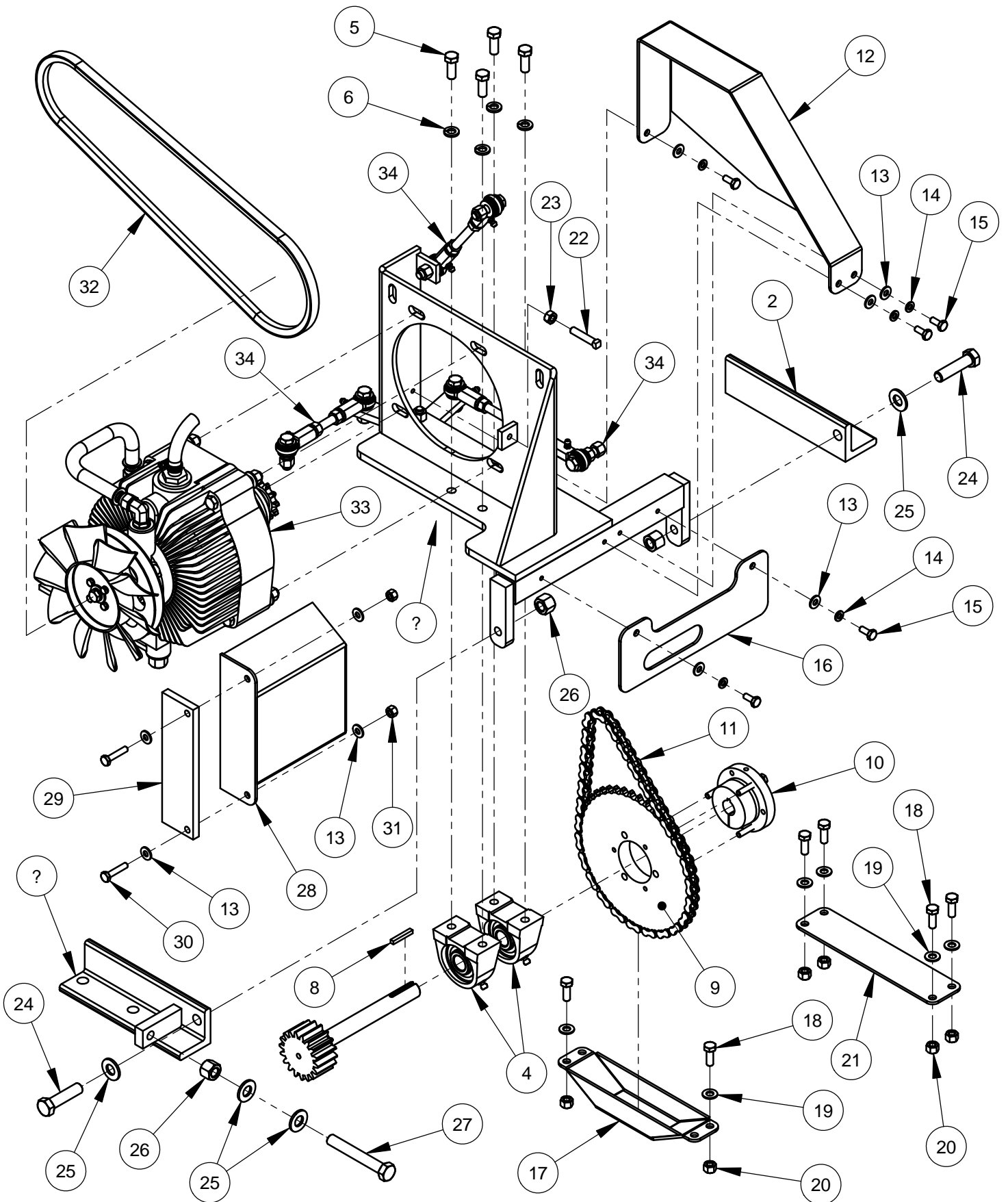
ITEM	PART NO.	SAP NO.	QTY.	DESCRIPTION
1	6010968	10993461	1	Frame Base Weldment
2	6017157	10989924	2	Skid Plate
3	6010973	10993465	1	Guard Attachment Plate
4	2900058	966308	4	Flat Washer, 1/2" SAE
5	2900084	966321	4	Lock Washer, 1/2" Split
6	2900086	969761	2	Cap Screw, Hex Hd., 1/2-13 x 1"
7	2900025	966285	2	Cap Screw, Hex Hd., 1/2-13 x 1-1/4"
8	6010979	10993471	1	Pointer Mount
9	2500573	10993179	2	Plug, 1" Square Tube
10	2900139	966333	2	Cap Screw, Hex Hd., 1/2-13 x 1-3/4"
11	2900543	10993304	2	Jam Lock Nut, 1/2-13
12	6010974	10993466	1	Cover Plate
13	2900022	966283	2	Flat Washer, 5/16" SAE
14	2900031	966288	2	Lock Washer, 5/16" Split
15	2900019	966280	2	Cap Screw, Hex Hd., 5/16-18 x 3/4"
16	6010683	10989843	2	Rear Pointer Rod
17	2900013	966274	4	Cap Screw, Hex Hd., 3/8-16 x 1-1/4"
18	2900033	966290	2	Hex Nut, 3/8-16
19	2504368	10989621	1	Tie Down
20	2900018	966279	2	Lock Nut, 3/8-16 Nylon
21	6010645	10989842	1	Shaft/Flange Guard (Wide)
22	2900156	966346	1	Lock Pin with Ring

Hydraulic Cylinder Assembly #6010714 (SAP# 10993432)



ITEM	PART NO.	SAP NO.	QTY.	DESCRIPTION
1	2500177	963085	1	Hydraulic Cylinder
2	6010031	966491	1	Cylinder Pin, 1" Dia. x 3" Long
3	6010119	966547	1	Cylinder Pin, 1" Dia. x 3-1/2" Long
4	2900064	966314	4	Hair Pin Cotter, 3/4"
5	3200067	977427	1	Breather Vent, 1/4" NPT
6	3200057	966435	1	Elbow, 1/4" M. Pipe to 1/4" M. JIC
7	3200054	966433	1	Hose Assembly, 32" Long

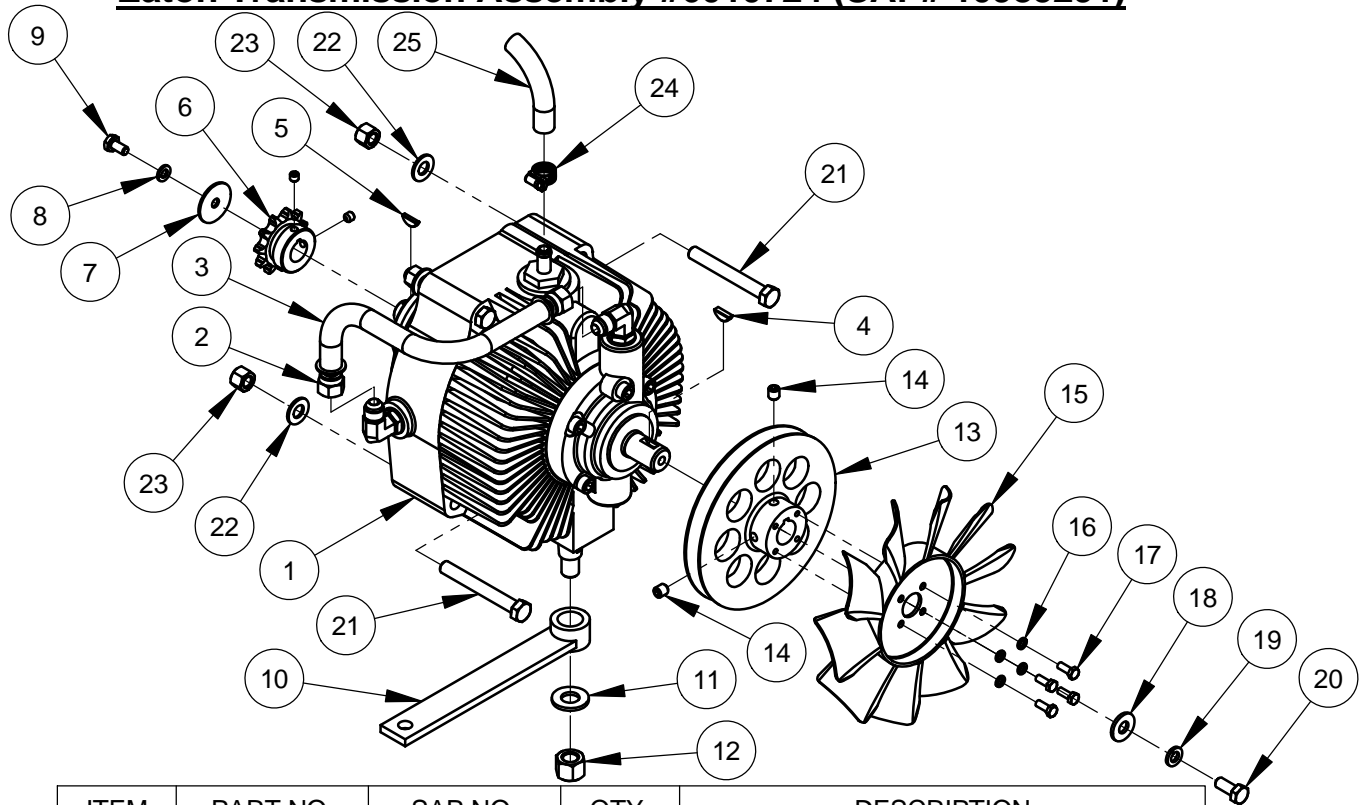
Rear Drive Assembly #6010723 (Eaton) (SAP# 10993437)



Rear Drive Assembly #6010723 (Eaton) (SAP# 10993437)

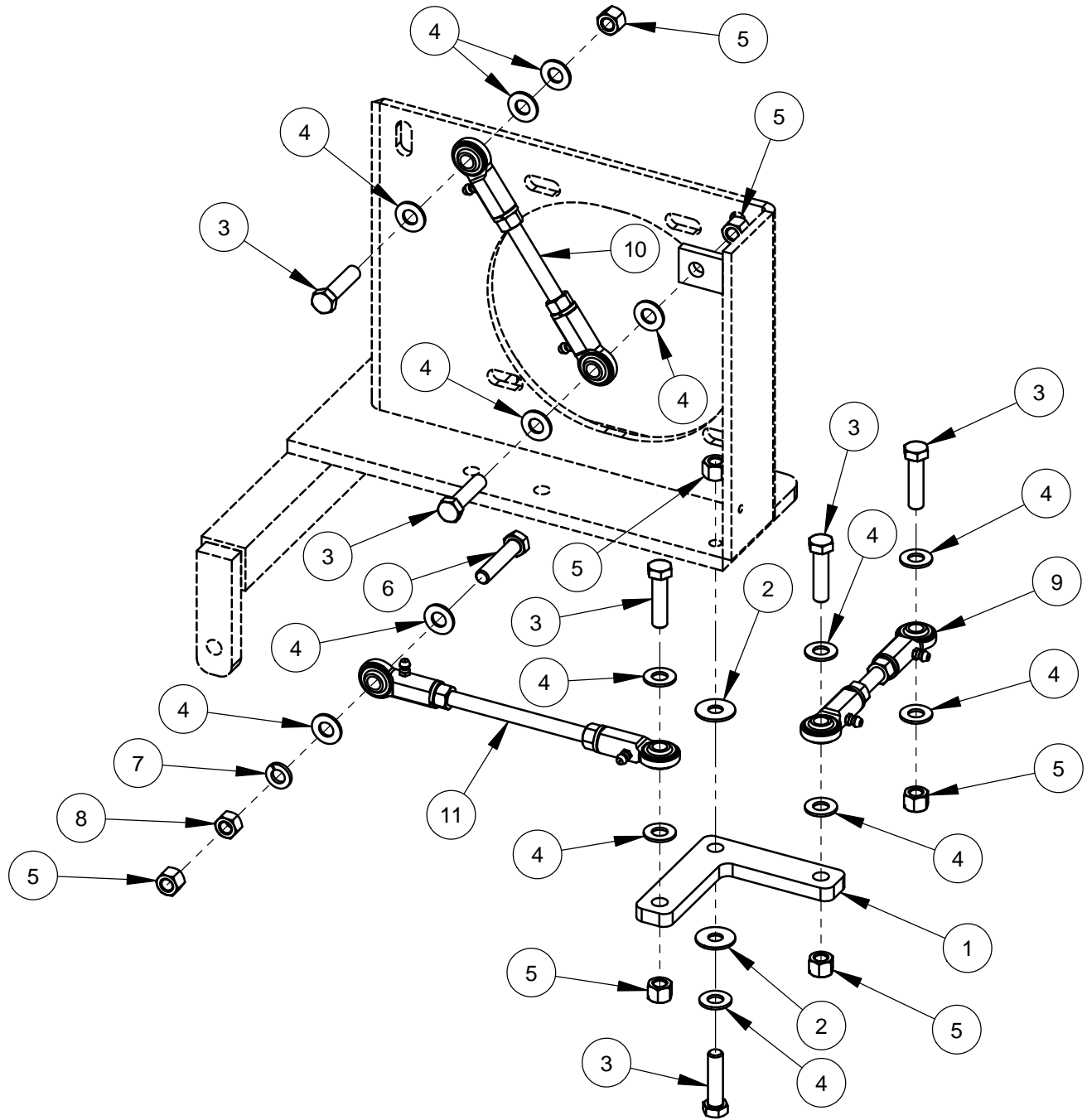
ITEM	PART NO.	SAP NO.	QTY.	DESCRIPTION
1	6010068	966512	1	Transmission Platform Weldment
2	6010027	966487	1	Mount Foot, Right Hand
3	6010028	966488	1	Mount Foot, Adjustable
4	2500159	966151	2	Pillow Block Bearing, 3/4"
5	2900005	966266	4	Cap Screw, Hex Hd., 3/8-16 x 1"
6	2900006	966267	4	Lock Washer, 3/8" Split
7	6010664	10985955	1	Transmission Jackshaft 18T
8	6048229	966747	1	Key, 3/16" Sq. x 1-1/4"
9	2500148	966144	1	Sprocket, #40 x 45 Tooth
10	2500149	966145	1	QD Bushing, SDS x 3/4" w/Fasteners
11	6010069	966513	1	Chain, #40 x 56 Pitch
12	6010671	10993422	1	Chain Guard
13	2900009	966270	9	Flat Washer, 1/4" SAE
14	2900024	966284	5	Lock Washer, 1/4" Split
15	2900023	10989672	5	Cap Screw, Hex Hd., 1/4-20 x 5/8"
16	6010679	10993426	1	Gear Guard
17	6010674	10993424	1	Sprocket Guard
18	2900668	10993312	6	Cap Screw, Hex Hd., 5/16-18 x 7/8"
19	2900022	966283	6	Flat Washer, 5/16" SAE
20	2900039	966296	6	Lock Nut, 5/16-18 Nylon
21	6010678	10993425	1	Cover Plate (Wide)
22	2900140	966334	1	Set Screw, Sq. Hd., 5/16-18 x 1-1/2"
23	2900141	966335	1	Hex Nut, 5/16-18
24	2900106	969639	2	Cap Screw, Hex Hd., 1/2-13 x 2"
25	2900058	966308	4	Flat Washer, 1/2" SAE
26	2900026	966286	3	Lock Nut, 1/2-13 Nylon
27	2900542	10988672	1	Tap Bolt, Hex Hd., 1/2-13 x 3-1/2"
28	6010673	10993423	1	Fan Guard
29	6010735	10993439	1	Spacer, Fan Guard
30	2900052	966305	2	Cap Screw, Hex Hd., 1/4-20 x 1-1/4"
31	2900010	966271	2	Lock Nut, 1/4-20 Nylon
32	2501946	10985957	1	V-Belt, AX39
33	6010724	10985291	1	Eaton Transmission Assembly
34	6010725	10987616	1	Linkage Assembly

Eaton Transmission Assembly #6010724 (SAP# 10985291)



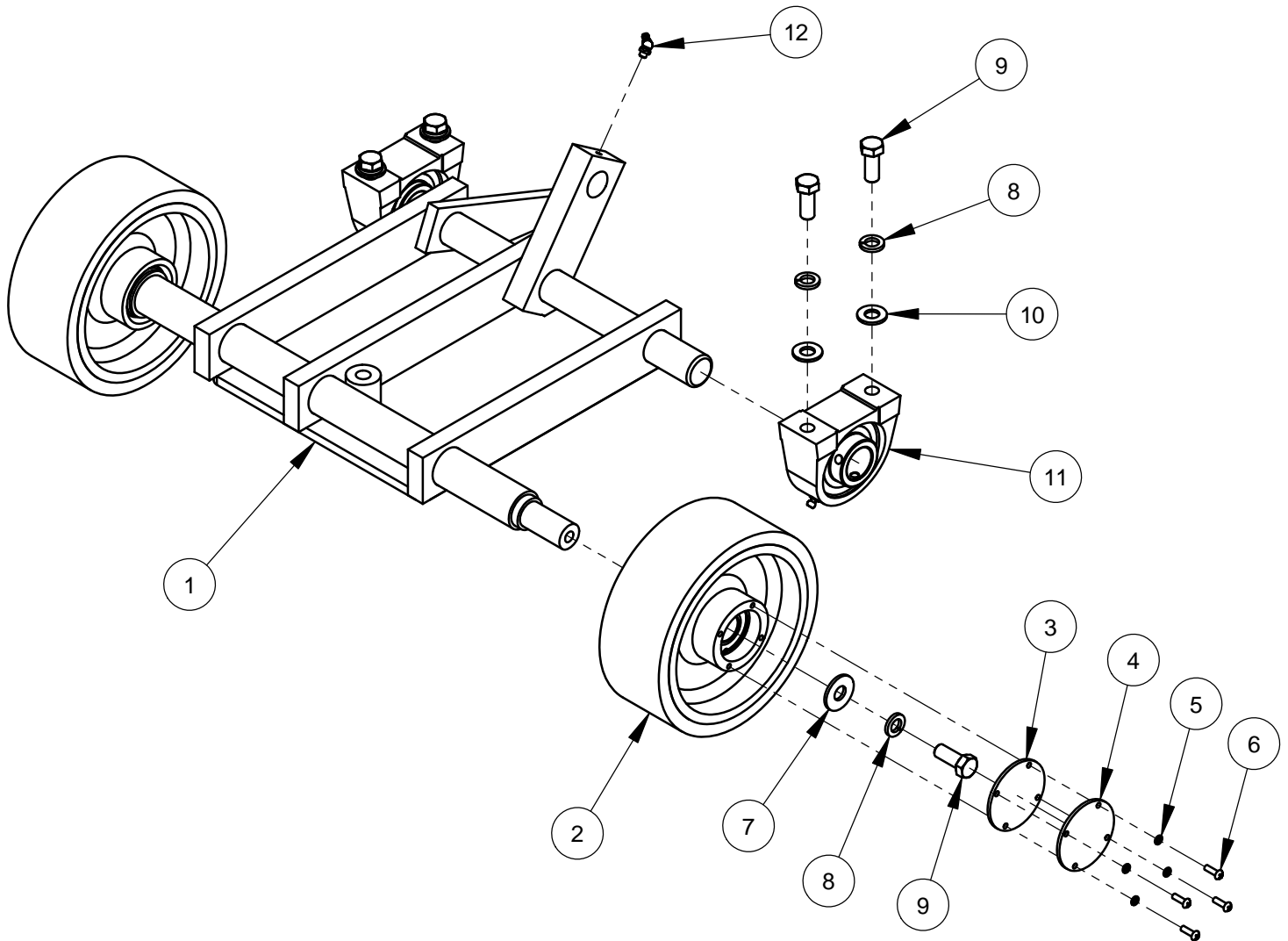
ITEM	PART NO.	SAP NO.	QTY.	DESCRIPTION
1	2600068	966215	1	Eaton Hydrostatic Transmission
2	3200046	966431	2	Fitting, 3/8" F. JIC to 3/8" Push Lock
3	6010060	966506	1	Oil Recirculation Hose, 3/8" I.D. x 9"
4	2900143	966337	1	Woodruff Key #61, 3/16" x 5/8"
5	2900063	966313	1	Woodruff Key #405, 1/8" x 5/8"
6	2500150	966146	1	Sprocket, #40 x 11 Tooth w/Setscrews
7	2900083	10987846	1	Fender Washer, 1/4" x 1-1/4"
8	2900024	966284	1	Lock Washer, 1/4" Split
9	2900082	10993280	1	Cap Screw, Hex Hd., 1/4-20 x 1/2"
10	6010064	966508	1	Shift Lever
11	2900058	966308	1	Flat Washer, 1/2" SAE
12	2900026	966286	1	Lock Nut, 1/2-13 Nylon
13	6010682	10986035	1	Transmission Pulley 5.5"
14	2900142	969766	2	Set Screw, Soc. Hd., 5/16-18 x 3/8"
15	2500519	966193	1	Cooling Fan, 7"
16	2900038	966295	4	Lock Washer, #10 Split
17	2900448	10989707	4	Machine Screw, Hex Hd., #10-32 x 1/2"
18	2900567	10989718	1	Flat Washer, 5/16" USS
19	2900031	966288	1	Lock Washer, 5/16" Split
20	2900019	966280	1	Cap Screw, Hex Hd., 5/16-18 x 3/4"
21	2900035	966292	4	Cap Screw, Hex Hd., 3/8-16 x 3"
22	2900014	966275	4	Flat Washer, 3/8" SAE
23	2900018	966279	4	Lock Nut, 3/8-16 Nylon
24	3200062	966437	1	Hose Clamp #4
25	6010059	966505	1	Clear Hose, 3/8" I.D. x 19"

Linkage Assembly #6010725 (SAP# 10987616)



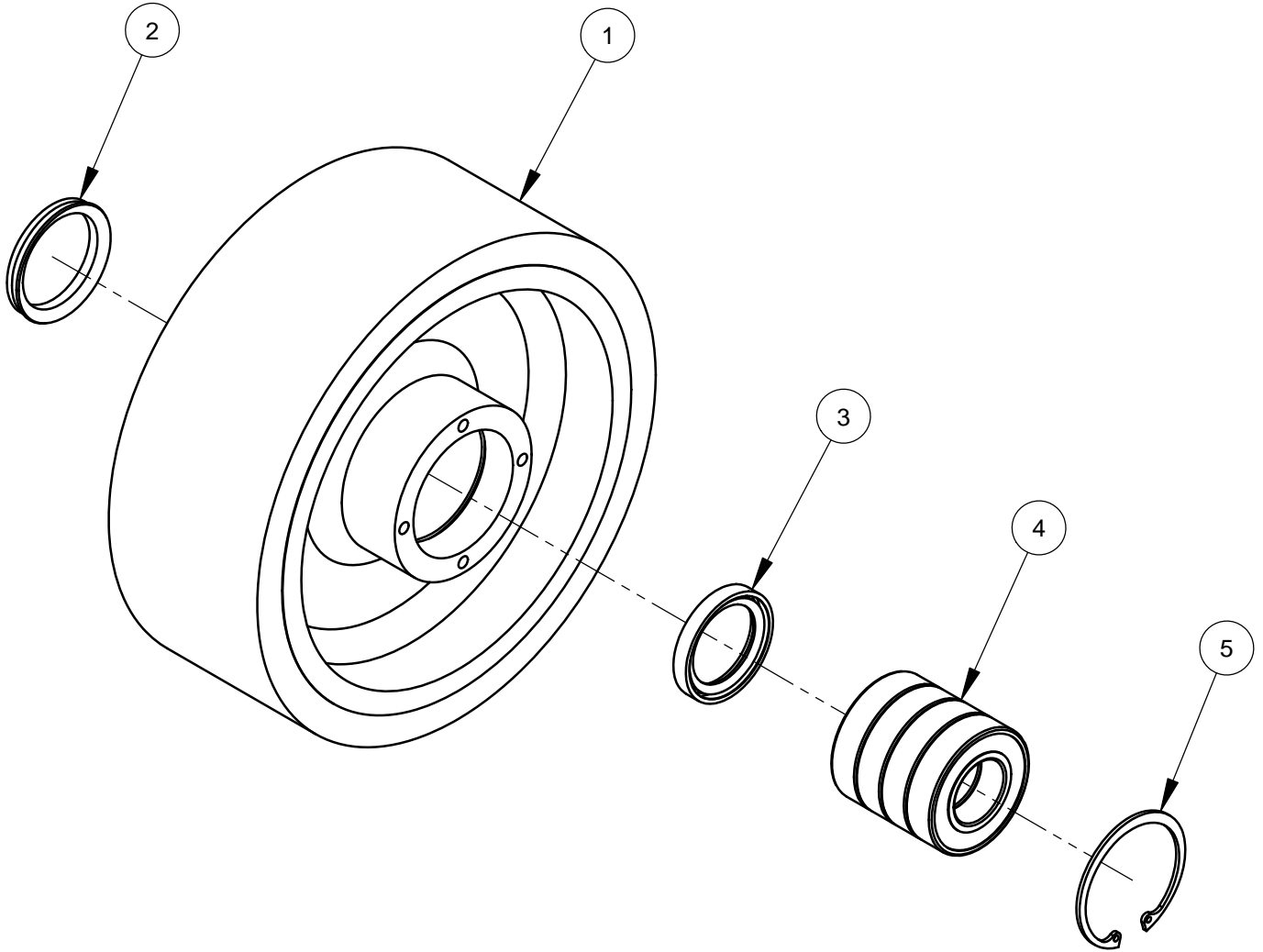
ITEM	PART NO.	SAP NO.	QTY.	DESCRIPTION
1	6010067	966511	1	Bell Crank
2	2900153	966343	2	Friction Washer, 3/8"
3	2900029	966287	6	Cap Screw, Hex Hd., 3/8-16 x 1-1/2"
4	2900014	966275	14	Flat Washer, 3/8" SAE
5	2900018	966279	7	Lock Nut, 3/8-16 Nylon
6	2900047	966301	1	Cap Screw, Hex Hd., 3/8-16 x 1-3/4"
7	2900006	966267	1	Lock Washer, 3/8" Split
8	2900033	966290	1	Hex Nut, 3/8-16
9	6010704	10988092	1	Linkage Assembly 5-1/8"
10	6010705	10993430	1	Linkage Assembly 6-1/4"
11	6010706	10993431	1	Linkage Assembly 8"

Front Axle Assembly #6010746 (SAP# 10993440)



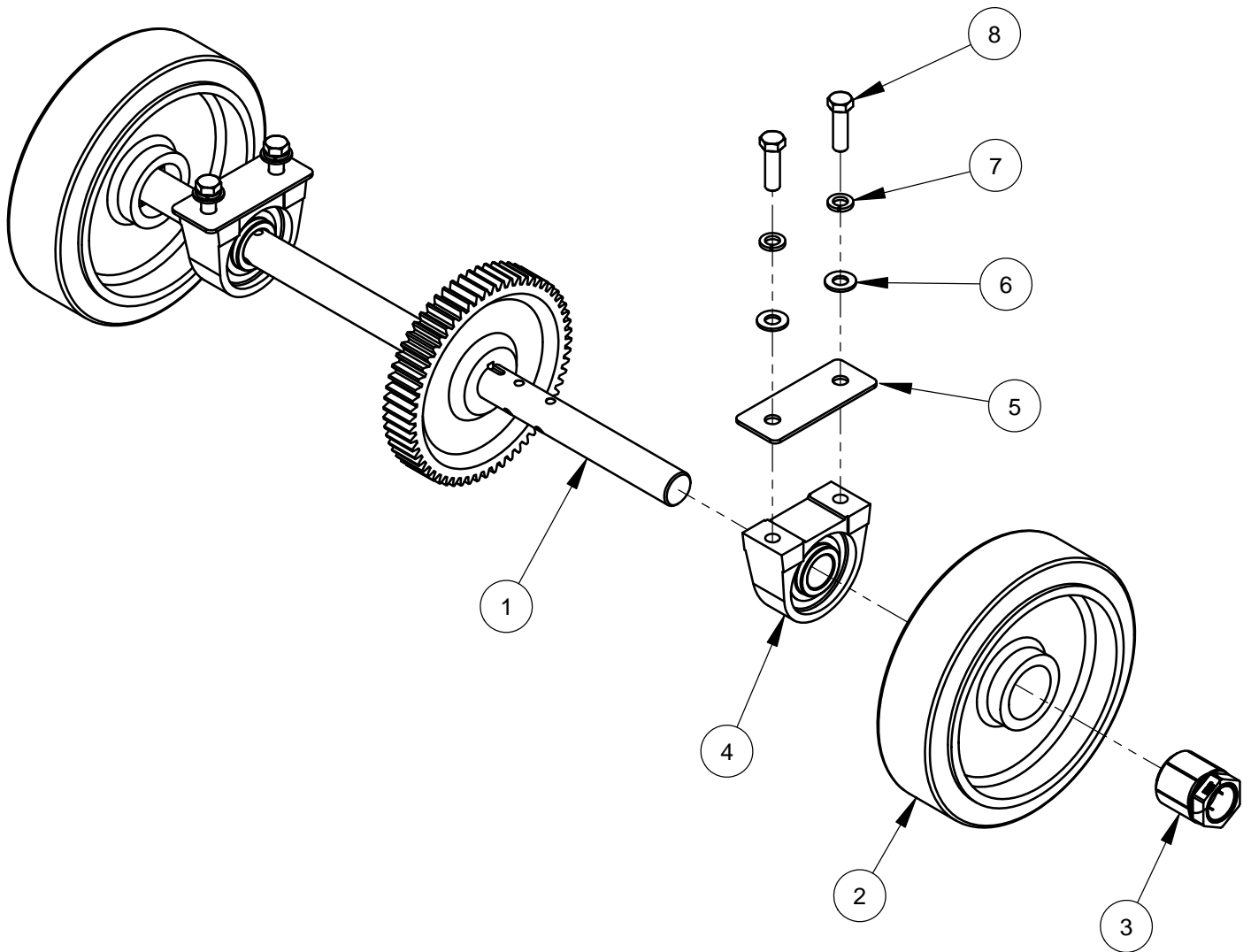
ITEM	PART NO.	SAP NO.	QTY.	DESCRIPTION
1	6010747	10993441	1	Front Axle Weldment
2	6010581	10983390	2	Wheel Assembly, 8" Front
3	2501393	10989034	2	Wheel Cover Gasket
4	6010536	10989035	2	Wheel Cover
5	2900038	966295	8	Lock Washer, #10 Split
6	2900159	10989036	8	Machine Screw, Rd. Hd., #10-24 x 5/8"
7	2900127	10989037	2	Flat Washer, 1/2" USS
8	2900084	966321	6	Lock Washer, 1/2" Split
9	2900025	966285	6	Cap Screw, Hex Hd., 1/2-13 x 1-1/4"
10	2900058	966308	4	Flat Washer, 1/2" SAE
11	2500158	977418	2	Pillow Block Bearing 1-1/4"
12	2900184	966349	1	Grease Fitting, 1/4" NPT x 45 degree

Front Wheel Assembly #6010581 (SAP# 10983390)



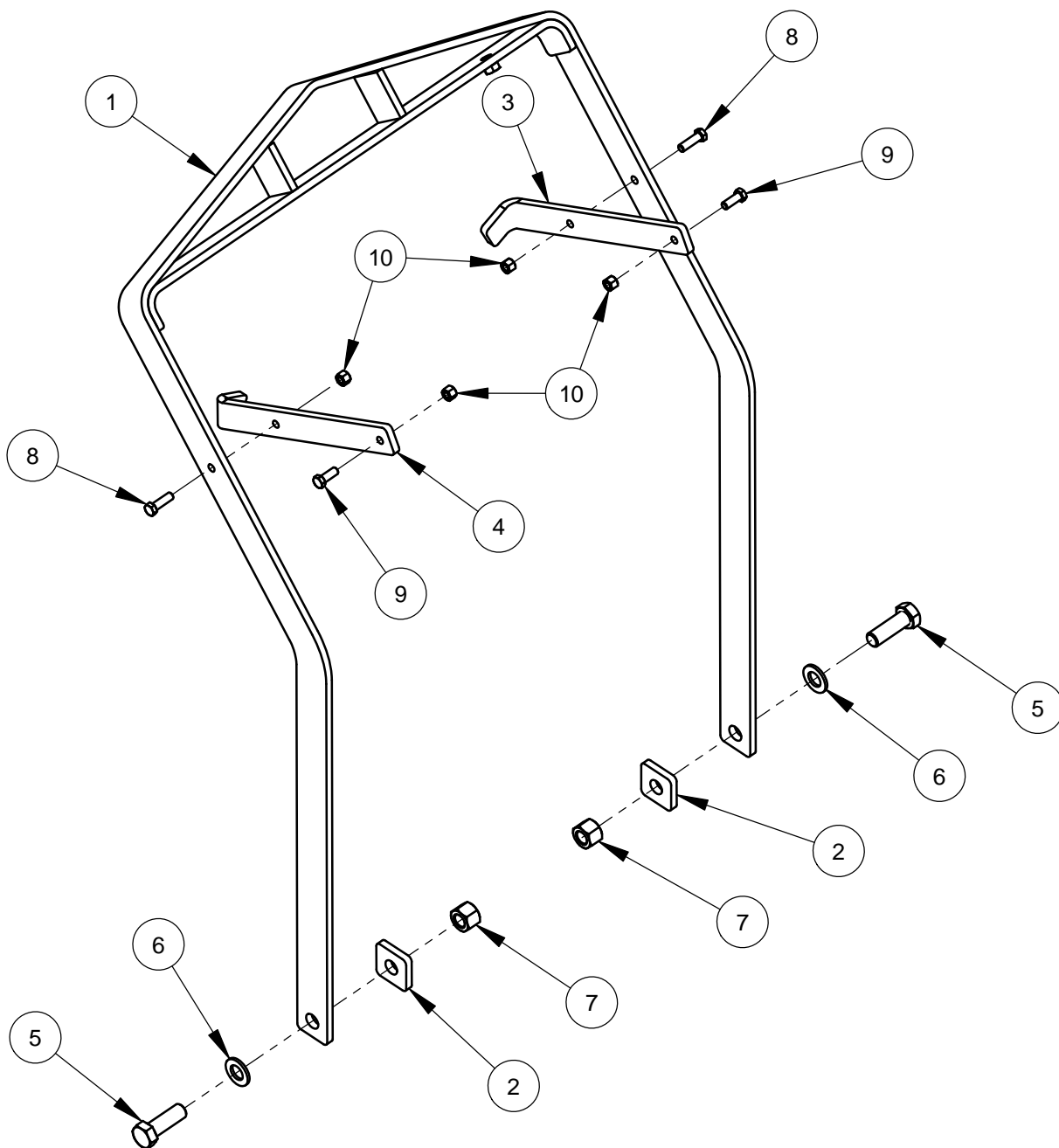
ITEM	PART NO.	SAP NO.	QTY.	DESCRIPTION
1	2501390	10986381	1	Wheel, 8" Front
2	2501428	10984862	1	Seal, 1-1/2" V-Ring
3	2501391	10984863	1	Seal, 1-1/4" x 1-3/4" x 1/4"
4	2501418	10984864	4	Ball Bearing, 1" x 2" x 1/2"
5	2501392	10989527	1	Retaining Ring, 2" Internal

Rear Axle Assembly #6010743* (Eaton / Gear) (SAP# 10986095)



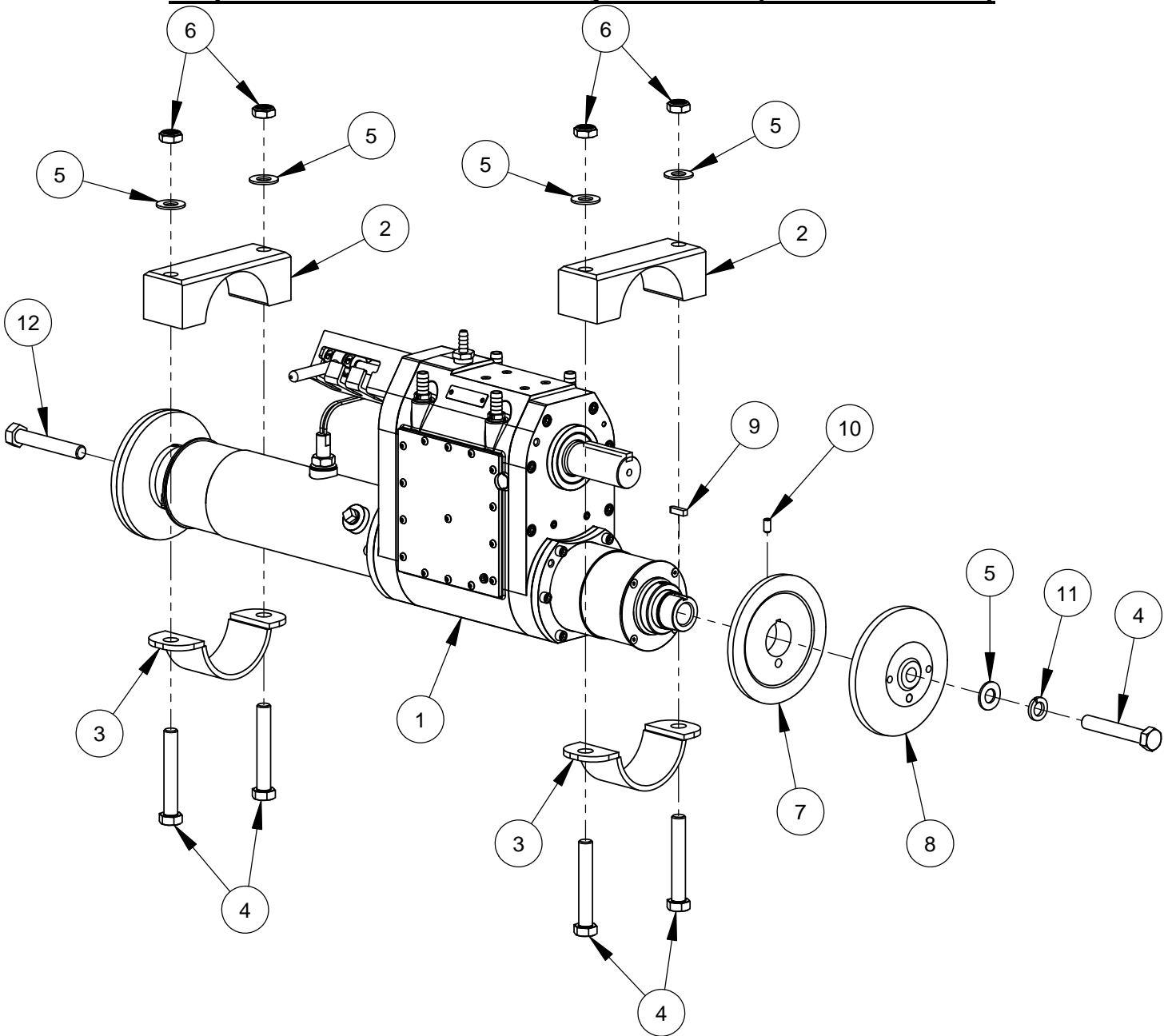
ITEM	PART NO.	SAP NO.	QTY.	DESCRIPTION
1	6010686	10987653	1	Rear Axle Weldment w/60 Tooth Gear
2	2500873	10984868	2	Wheel, 10" Rear with 2" Bore
3	2500874	10986315	2	Trantorque Bushing, 1-1/4"
4	2500158	977418	2	Pillow Block Bearing 1-1/4"
5	6010024	966485	2	Rear Axle Bearing Spacer, 1/8"
6	2900058	966308	4	Flat Washer, 1/2" SAE
7	2900084	966321	4	Lock Washer, 1/2" Split
8	2900139	966333	4	Cap Screw, Hex Hd., 1/2-13 x 1-3/4"

Frame Lift Assembly #6010784 (SAP# 10993446)



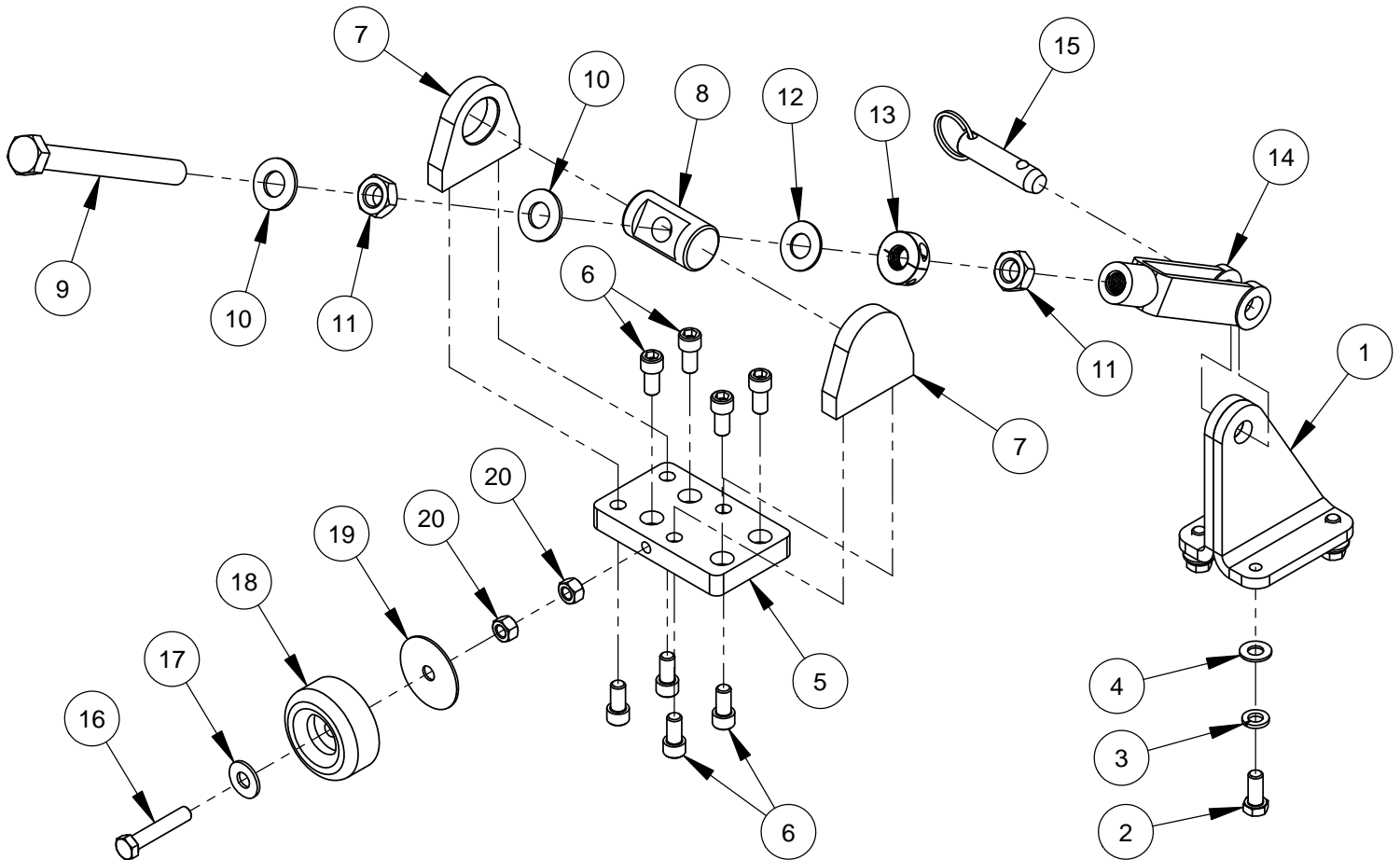
ITEM	PART NO.	SAP NO.	QTY.	DESCRIPTION
1	6013051	966606	1	Frame Lift
2	6013053	966608	2	Frame Lift Spacer
3	6010776A	10993444	1	Frame Lift Stop Brace
4	6010776B	10993445	1	Frame Lift Stop Brace
5	2900465	10993297	2	Cap Screw, Hex Hd., 3/4-10 x 2-1/4"
6	2900003	966264	2	Flat Washer, 3/4" SAE
7	2900467	10988727	2	Lock Nut, 3/4-10 Nylon
8	2900013	966274	2	Cap Screw, Hex Hd., 3/8-16 x 1-1/4"
9	2900005	966266	2	Cap Screw, Hex Hd., 3/8-16 x 1"
10	2900018	966279	4	Lock Nut, 3/8-16 Nylon

3 Speed Blade Shaft Assembly #6010941 (SAP# 10993450)



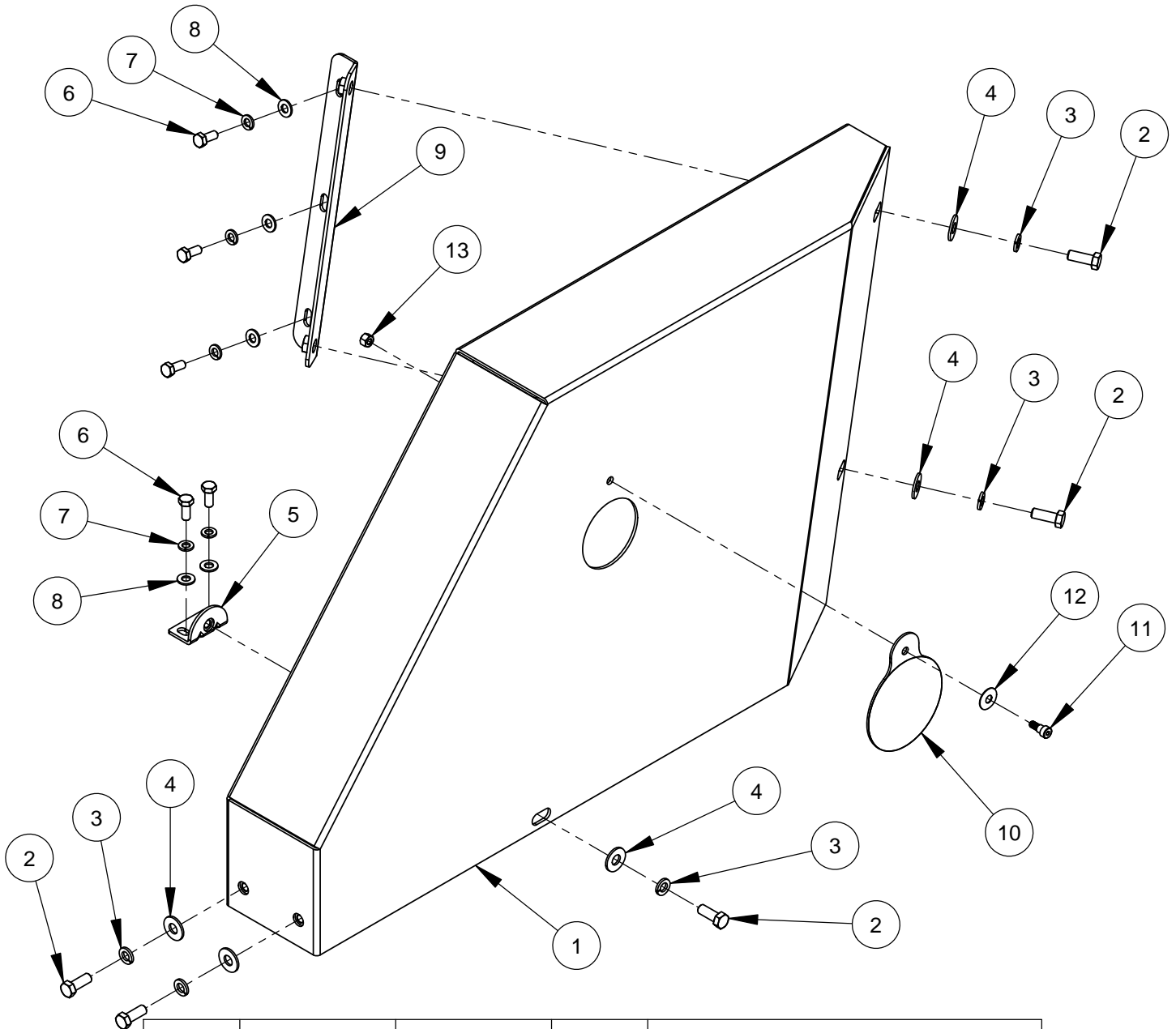
ITEM	PART NO.	SAP NO.	QTY.	DESCRIPTION
1	6018222	10993588	1	CC6550 3-Speed Transmission
2	6010980	10993472	2	Clamp Block
3	6010981	10993473	2	Saddle Clamp
4	2900146	969767	5	Cap Screw, Hex Hd., 5/8-11 x 4"
5	2900002	966263	6	Flat Washer, 5/8" SAE
6	2900753	10993318	4	Jam Lock Nut, 5/8-11
7	6010038	966492	2	Inner Flange 6"
8	6010039	977439	2	Outer Flange 6" with Pin
9	6010040	966493	2	Key, 1/4" Sq. x 15/16"
10	2900418	10986391	2	Set Screw, Soc. Hd., 5/16-18 x 5/8"
11	2900113	966326	2	Lock Washer, 5/8" Split
12	2900130	969765	1	Cap Screw, Hex Hd., 5/8-11 x 4" LH

Belt Tensioner Assembly #6010942 (SAP# 10993451)



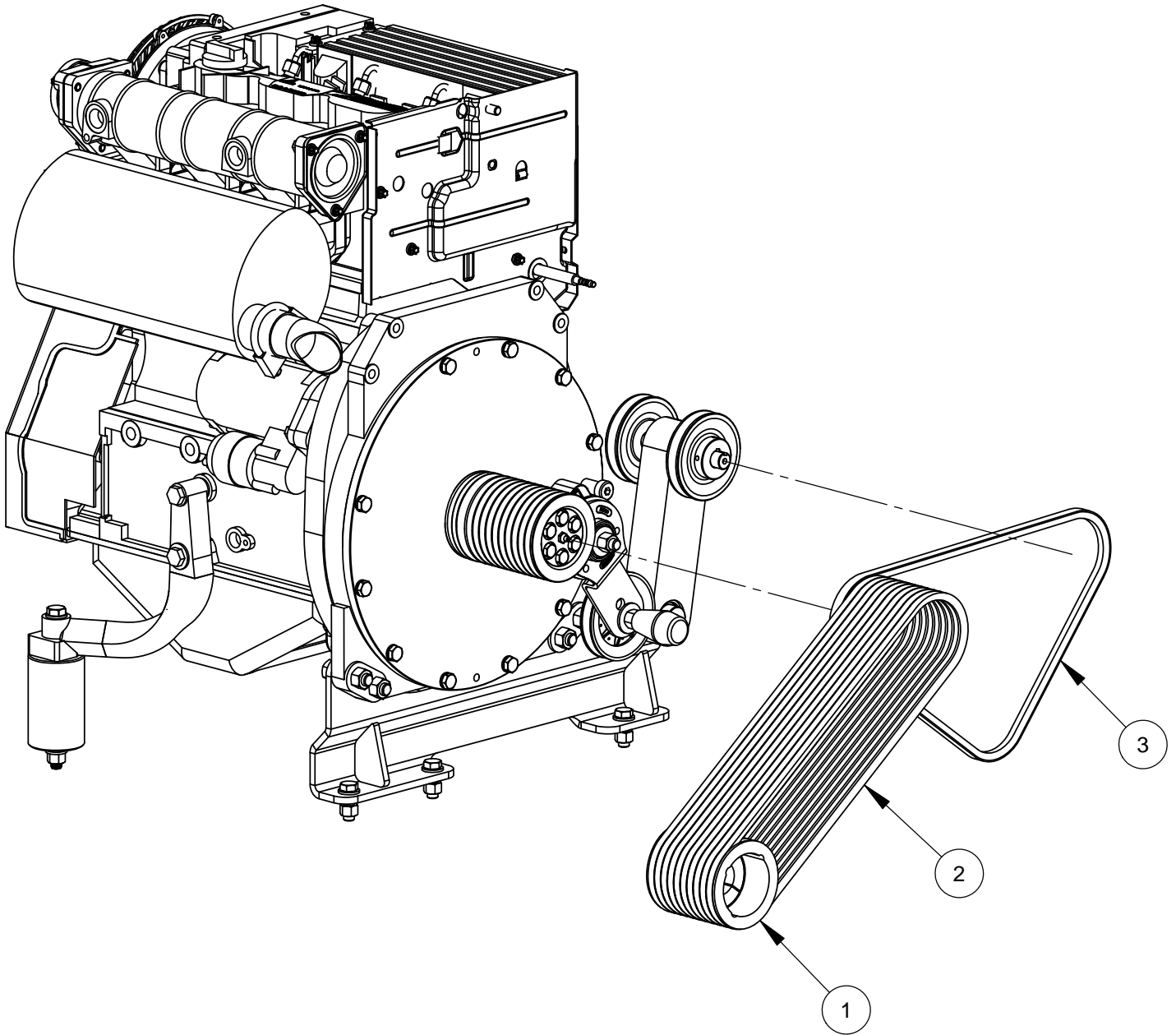
ITEM	PART NO.	SAP NO.	QTY.	DESCRIPTION
1	6010975	10993467	1	Tensioner Anchor
2	2900621	10987913	4	Cap Screw, Hex Hd., 3/8-16 x 7/8"
3	2900006	966267	4	Lock Washer, 3/8" Split
4	2900014	966275	4	Flat Washer, 3/8" SAE
5	6010977	10993469	1	Clevis Base
6	2900976	10993332	8	Cap Screw, Soc. Hd., 3/8-16 x 3/4"
7	6010978	10993470	2	Clevis Flange
8	6010976	10993468	1	Clevis Pin
9	2900907	10989761	1	Tap Bolt, Hex Hd., 5/8-11 x 6"
10	2900002	966263	2	Flat Washer, 5/8" SAE
11	2900256	10989692	2	Jam Nut, 5/8-11
12	2901561	N/A	1	Thrust Washer, 5/8"
13	2503968	10993228	1	Collar, 5/8-11 Split
14	2503967	10993227	1	Yoke, 5/8-11
15	2901371	10993361	1	Lock Pin with Ring
16	2900366	10993292	1	Tap Screw, Hex Hd., 3/8-16 x 2"
17	2900473	10989711	1	Flat Washer, 3/8" USS
18	2501767	10993198	1	Rubber Bumper
19	2901375	10993364	1	Fender Washer, 3/8" x 2"
20	2900033	966290	2	Hex Nut, 3/8-16

Belt Guard Assembly #6010944 (SAP# 10993453)



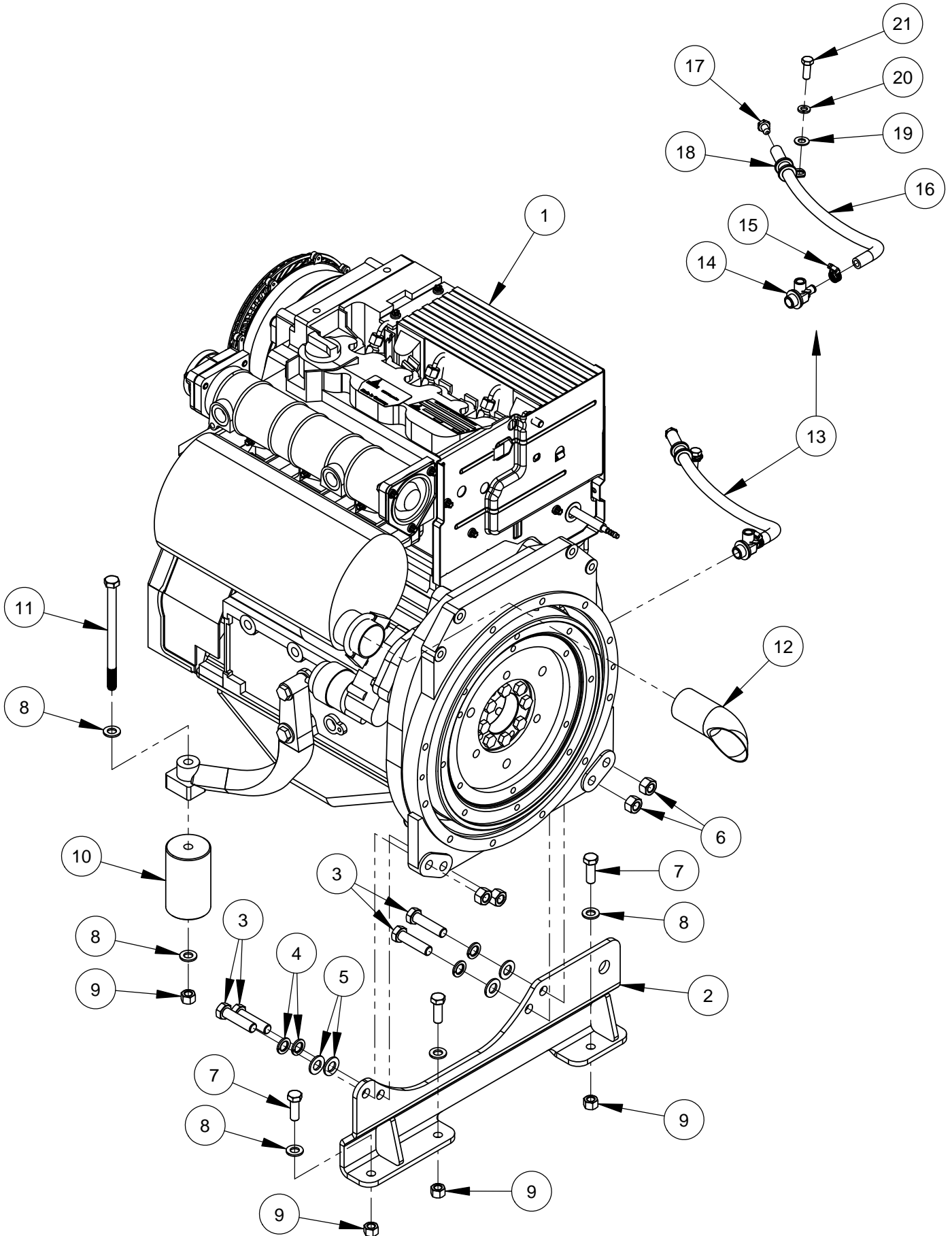
ITEM	PART NO.	SAP NO.	QTY.	DESCRIPTION
1	6010972	10993464	1	Belt Guard
2	2900005	966266	5	Cap Screw, Hex Hd., 3/8-16 x 1"
3	2900006	966267	5	Lock Washer, 3/8" Split
4	2900473	10989711	5	Flat Washer, 3/8" USS
5	6010558	10986891	1	Guard Mounting Tab, 3/8-16
6	2900019	966280	5	Cap Screw, Hex Hd., 5/16-18 x 3/4"
7	2900031	966288	5	Lock Washer, 5/16" Split
8	2900022	966283	5	Flat Washer, 5/16" SAE
9	6010556	10993411	1	Belt Guard Mount Bracket
10	6010768	10993442	1	Swing Cover Plate with Label
11	2900246	10993287	1	Shoulder Screw, 5/16" x 1/4" (1/4-20)
12	2900252	10989690	1	Belleville Washer, 5/16"
13	2900010	966271	1	Lock Nut, 1/4-20 Nylon

Belt Drive Assembly #6010943 (SAP# 10993452)



ITEM	PART NO.	SAP NO.	QTY.	DESCRIPTION
1	6010982	10993474	1	Sheave, 4" x 10 Groove w/Bushing
	2501380	10987831	1	Sheave, 4" x 10 Groove Taper Style
	2503811	10993207	1	Taper Bushing, 1-1/2" w/Setscrews
2	2500793	10986374	10	V-Belt, 3VX425
3	2501780	10987618	1	V-Belt, AX40

Engine Assembly #6010945 (SAP# 10993454)



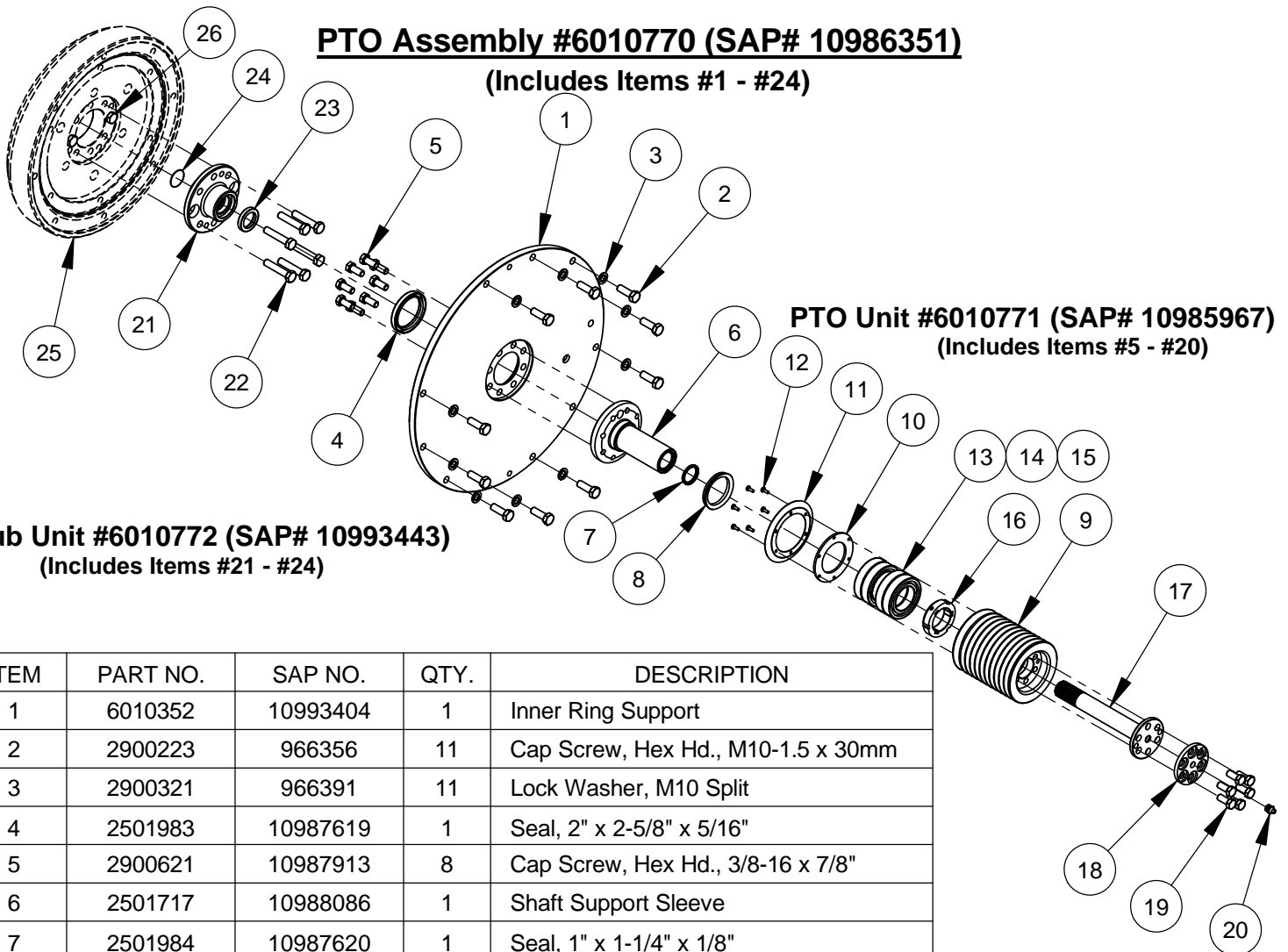
Engine Assembly #6010945 (SAP# 10993454)

ITEM	PART NO.	SAP NO.	QTY.	DESCRIPTION
1	2600580	10993240	1	Engine, Deutz Model D2011L03i
2	6010969	10993462	1	Engine Mount
3	2702618	10993246	4	Cap Screw, Hex Hd., M14-2.0 x 55mm
4	2900875	10989748	4	Lock Washer, M14 Split
5	2900326	966395	4	Flat Washer, M14
6	2900756	10993319	4	Hex Nut, M14-2.0
7	2900801	10993326	3	Cap Screw, Hex Hd., M12-1.75 x 35mm
8	2901357	10993351	7	Flat Washer, M12
9	2900327	966396	5	Lock Nut, M12-1.75 Nylon Insert
10	6010971	10993463	2	Engine Post
11	2901374	10993363	2	Cap Screw, Hex Hd., M12-1.75 x 180mm
12	2500517	10988098	1	Exhaust Deflector, 1-7/8"
13	6013152	10993487	1	Oil Drain Valve Assembly

ITEM	PART NO.	SAP NO.	QTY.	DESCRIPTION
14	3200814	10985282	1	Oil Drain Valve, M18x1.5
15	3200062	966437	1	Hose Clamp #4
16	6013153	10993488	1	Oil Drain Hose, 3/8" I.D. x 20"
17	3200741	10993385	1	Hose Plug
18	2501434	10989529	1	Hose Clamp, 5/8" x 3/4" Wide
19	2900014	966275	1	Flat Washer, 3/8" SAE
20	2900006	966267	1	Lock Washer, 3/8" Split
21	2900005	966266	1	Cap Screw, Hex Hd., 3/8-16 x 1"

PTO Assembly #6010770 (SAP# 10986351)

(Includes Items #1 - #24)

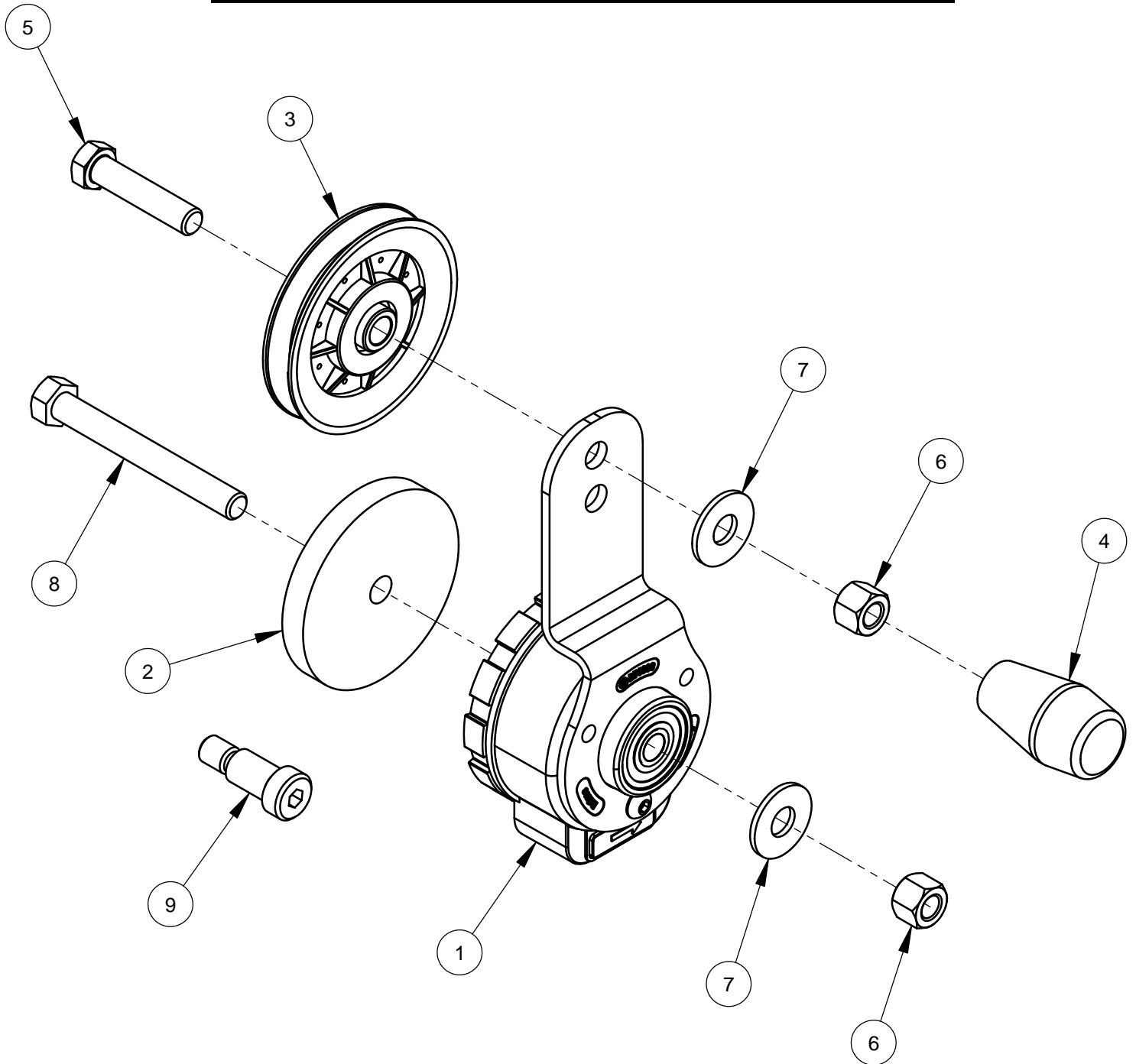


Hub Unit #6010772 (SAP# 10993443)

(Includes Items #21 - #24)

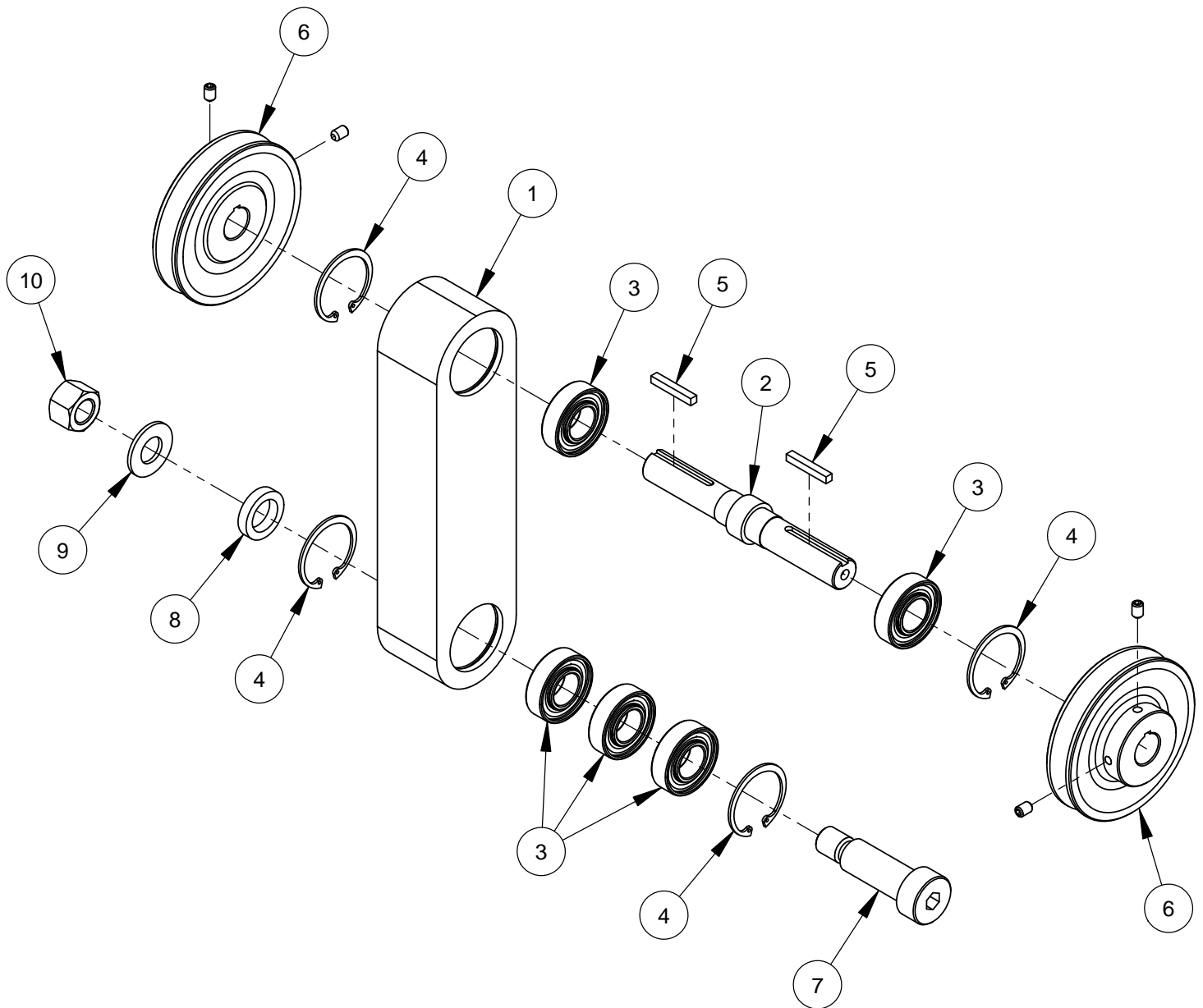
ITEM	PART NO.	SAP NO.	QTY.	DESCRIPTION
1	6010352	10993404	1	Inner Ring Support
2	2900223	966356	11	Cap Screw, Hex Hd., M10-1.5 x 30mm
3	2900321	966391	11	Lock Washer, M10 Split
4	2501983	10987619	1	Seal, 2" x 2-5/8" x 5/16"
5	2900621	10987913	8	Cap Screw, Hex Hd., 3/8-16 x 7/8"
6	2501717	10988086	1	Shaft Support Sleeve
7	2501984	10987620	1	Seal, 1" x 1-1/4" x 1/8"
8	2500751	10987621	1	Seal, 1-3/4" V-Ring
9	2501722	10988752	1	Sheave, 4" x 11 Groove
10	2501719	10993193	1	Bearing Retainer Plate
11	2501998	10991271	1	Grease Slinger Disc
12	2900624	10993309	6	Machine Screw, Hex Hd., #6-32 x 3/8"
13	2501986	10984865	4	Ball Bearing, 40mm x 68mm x 15mm
14	6046020	10993594	1	PTO Bearing Spacer
15	2501747	10988087	4	Shim, 40mm x 50mm x 0.1mm
16	2900654	10988088	1	Bearing Lock Nut, 1-9/16"-18
17	2501720	10988089	1	Splined Drive Shaft
18	2501985	10993201	1	Grease Disc
19	2900954	10993331	6	Cap Screw, Hex Hd., 3/8-24 x 7/8"
20	2900062	966312	1	Grease Fitting, 1/8" NPT
21	2501721	10993194	1	Coupling Hub
22	2900633	10993310	6	Cap Screw, Hex Hd., M10-1.0 x 50mm
23	2501714	10988094	1	Seal, 1" x 1-1/2" x 1/4"
24	2501670	10988095	1	Hubbard Plug, 1-1/8"
25	2701276	10993244	1	Flywheel, Deutz Engine
26	2702756	10993247	2	Cap Screw, Hex Hd., M10-1.0 x 40mm

Rotary Tensioner Assembly #6010694 (SAP# 10986350)



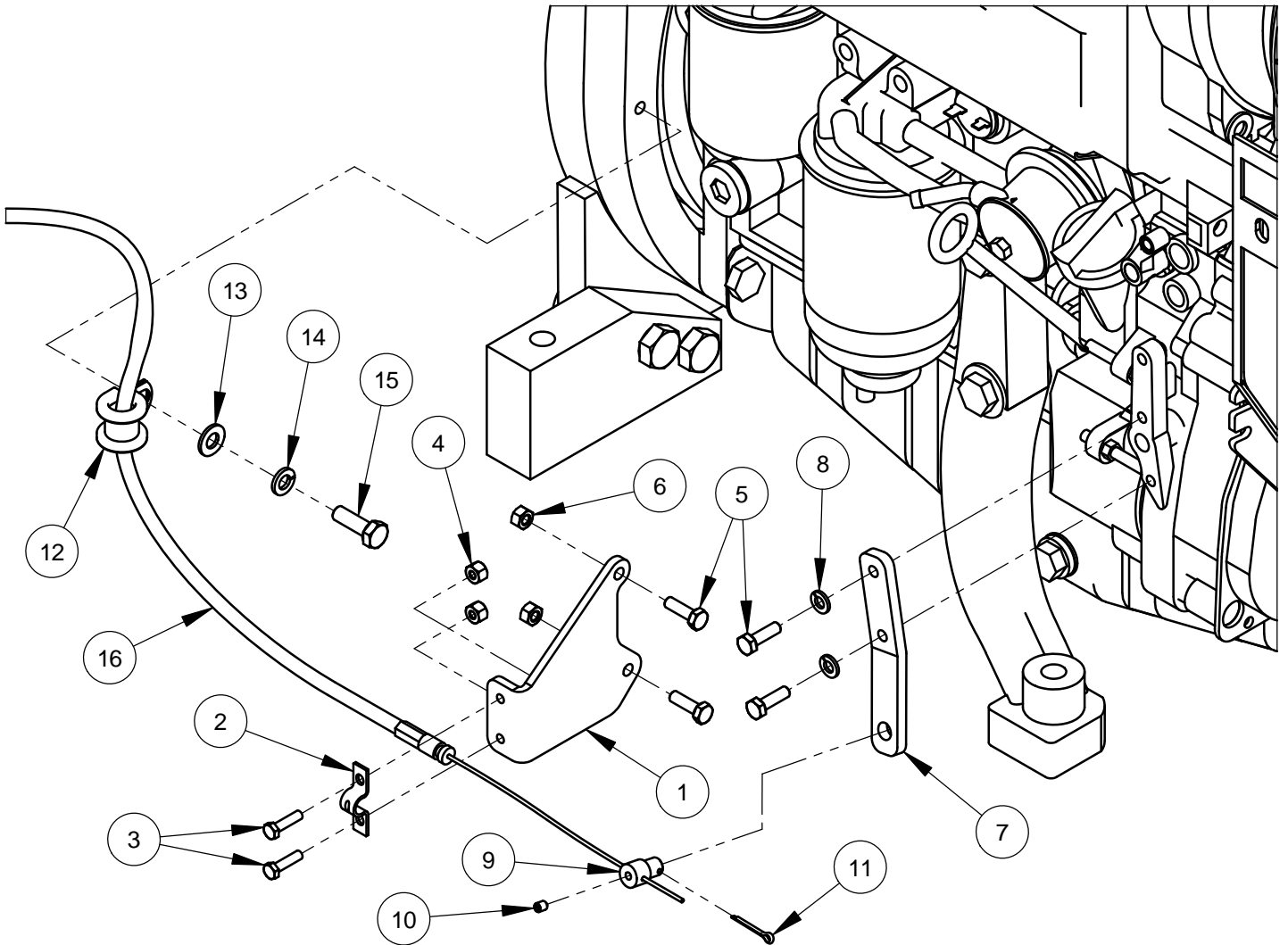
ITEM	PART NO.	SAP NO.	QTY.	DESCRIPTION
1	2501750	10993196	1	Rotary Tensioner
2	6010684	10993427	1	Rotary Tensioner Spacer 1/2"
3	2501751	10984866	1	Idler Pulley 4"
4	2501754	10993197	1	Knob, 1/2-13 Tapered
5	2900192	966352	1	Cap Screw, Hex Hd., 1/2-13 x 2-1/4"
6	2900026	966286	2	Lock Nut, 1/2-13 Nylon
7	2900127	10989037	2	Flat Washer, 1/2" USS
8	2900414	10993294	1	Cap Screw, Hex Hd., 1/2-13 x 4-1/4"
9	2900477	10993300	1	Shoulder Screw, 5/8" x 1" (1/2-13)

Transmission Jackshaft Assembly #6010946 (SAP# 10993455)



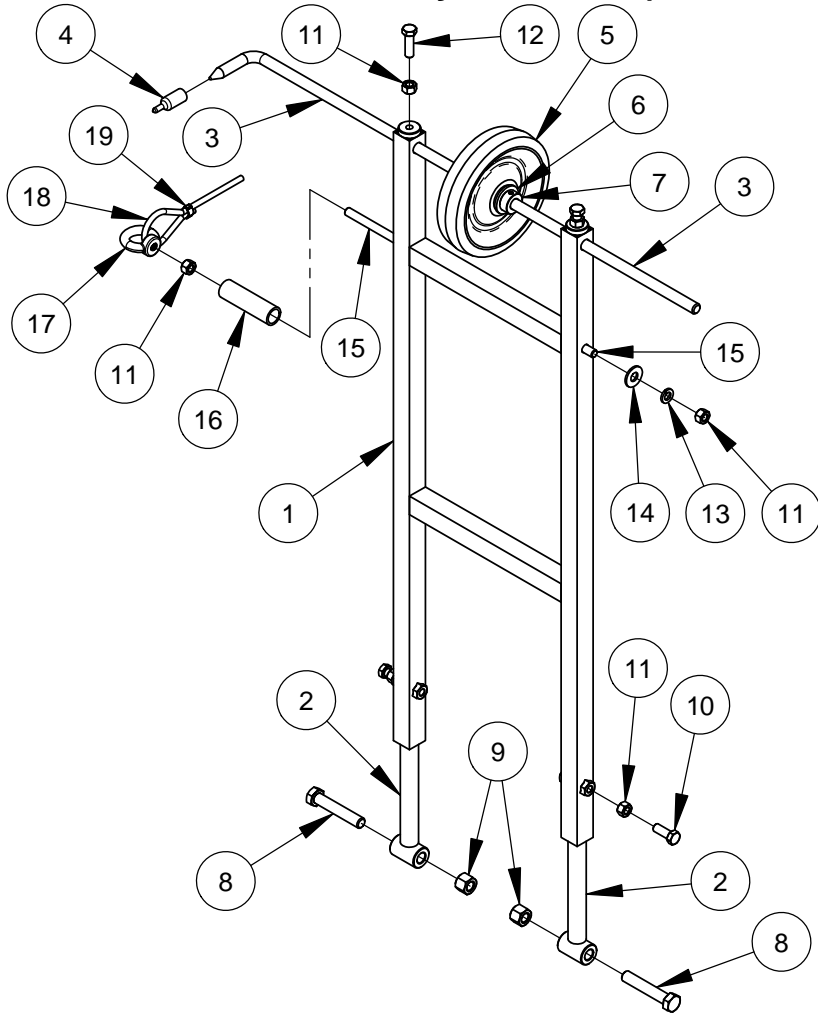
ITEM	PART NO.	SAP NO.	QTY.	DESCRIPTION
1	6010667	10988502	1	Jackshaft Pivot Housing
2	6010666	10986883	1	Idler Jackshaft
3	2501743	10984861	5	Ball Bearing, 20mm x 42mm x 12mm
4	2501748	10993195	4	Retaining Ring, 42mm Internal
5	6048229	966747	2	Key, 3/16" Sq. x 1-1/4"
6	2500455	966187	2	Pulley, 4" with Setscrews
7	2901372	10993362	1	Shoulder Bolt, 20mm x 50mm (M16-2.0)
8	6010685	10987617	1	Bearing Spacer, 1/4"
9	2900002	966263	1	Flat Washer, 5/8" SAE
10	2900670	10993313	1	Lock Nut, M16-2.0 Nylon Insert

Throttle Cable Assembly #6010729 (SAP# 10993438)



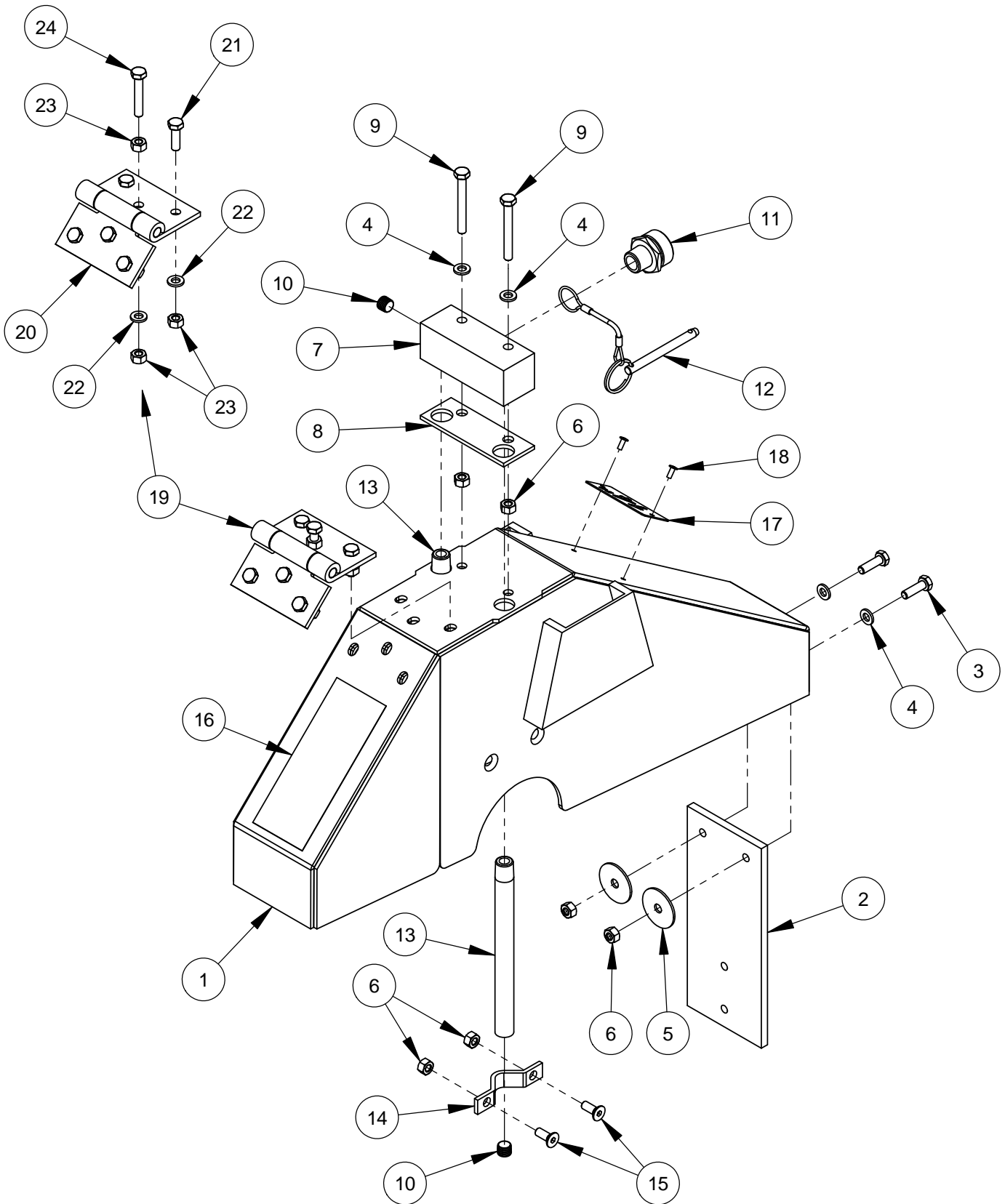
ITEM	PART NO.	SAP NO.	QTY.	DESCRIPTION
1	6010523	10993409	1	Throttle Bracket
2	2500940	10993182	1	Throttle Cable Clamp
3	2900015	966276	2	Machine Screw, Hex Hd., #10-24 x 3/4"
4	2900017	966278	2	Lock Nut, #10-24 Nylon
5	2900310	966380	4	Cap Screw, Hex Hd., M6-1.0 x 20mm
6	2900302	966373	2	Lock Nut, M6-1.0 Nylon Insert
7	6013029	966595	1	Throttle Arm
8	2900024	966284	2	Lock Washer, 1/4" Split
9	6048212	966744	1	Pivot Pin
10	2900059	966309	1	Set Screw, Soc. Hd., #10-32 x 1/4"
11	2900034	966291	1	Cotter Pin, 3/32" x 3/4"
12	2501434	10989529	1	Hose Clamp, 5/8" x 3/4" Wide
13	2900022	966283	1	Flat Washer, 5/16" SAE
14	2900031	966288	1	Lock Washer, 5/16" Split
15	2900360	10993291	1	Cap Screw, Hex Hd., M8-1.25 x 25mm
16	2500376	966173	1	Vernier Throttle Cable

Front Pointer Assembly #6010990 (SAP# 10993482)



ITEM	PART NO.	SAP NO.	QTY.	DESCRIPTION
1	6010541	10989831	1	Front Pointer Frame
2	6011152	10989846	2	Front Pointer Arm
3	6013025	966591	1	Front Pointer Rod
4	2500740	10989514	1	Pointer Cap
5	2501409	10988539	1	Wheel, 6"
6	2900127	10989037	2	Flat Washer, 1/2" USS
7	2500007	966119	2	Set Collar, 1/2" with Set Screw
8	2900105	966324	2	Cap Screw, Hex Hd., 1/2-13 x 2-3/4"
9	2900026	966286	2	Lock Nut, 1/2-13 Nylon
10	2900005	966266	2	Cap Screw, Hex Hd., 3/8-16 x 1"
11	2900033	966290	6	Hex Nut, 3/8-16
12	2900013	966274	2	Cap Screw, Hex Hd., 3/8-16 x 1-1/4"
13	2900006	966267	1	Lock Washer, 3/8" Split
14	2900473	10989711	1	Flat Washer, 3/8" USS
15	6010988	10993480	1	Rod, 3/8-16 x 15-1/2"
16	6010989	10993481	1	Spacer, 3" Long
17	2900885	10993328	1	Eye Nut, 3/8-16
18	6017241	10989977	1	Pointer Rope 11 Foot
19	3200221	966467	2	Pinch Clamp, Two Ear

14" Blade Guard Assembly #6010950 (SAP# 10991715)

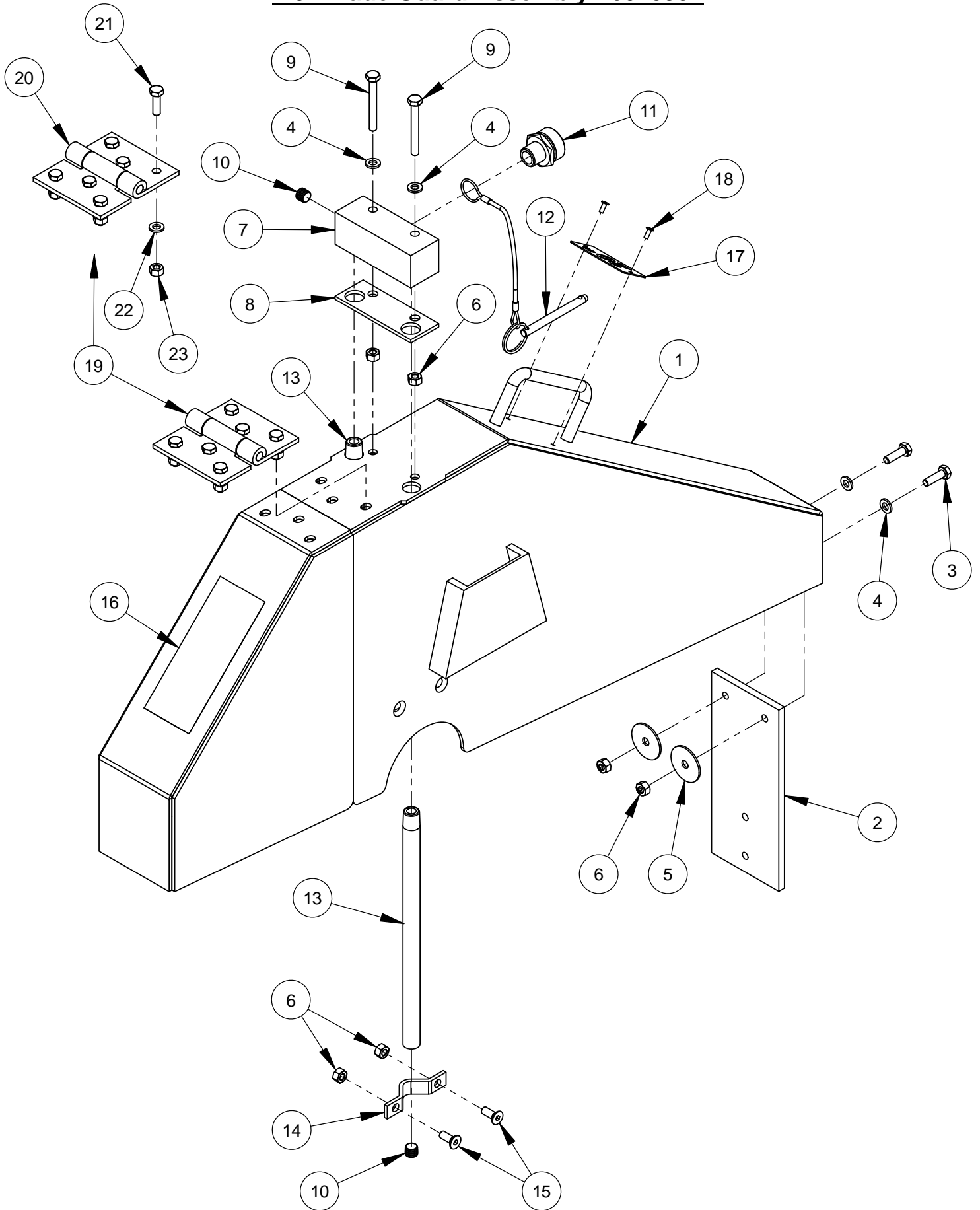


14" Blade Guard Assembly #6010950 (SAP# 10991715)

ITEM	PART NO.	SAP NO.	QTY.	DESCRIPTION
1	6010601	10993414	1	14" Blade Guard Front & Rear Only
2	6010081	966520	1	Splash Flap
3	2900310	966380	2	Cap Screw, Hex Hd., M6-1.0 x 20mm
4	2901494	10993370	4	Flat Washer, M6
5	2900083	10987846	2	Fender Washer, 1/4" x 1-1/4"
6	2900302	966373	8	Lock Nut, M6-1.0 Nylon Insert
7	6010261	977424	1	Water Manifold
8	2500830	10989515	1	Water Manifold Gasket
9	2901355	10993349	2	Cap Screw, Hex Hd., M6-1.0 x 50mm
10	3200001	966415	3	Plug, 1/8" NPT
11	3200002	962621	1	Fitting, 3/8" M. Pipe to 3/4" M. Garden
12	2900278	10989696	1	Lanyard with Lock Pin
13	6048283	966751	2	Water Tube for 14" Guard
14	6048155	966738	2	Water Tube Clamp
15	2900308	966378	4	Cap Screw, Flat Hd., M6-1.0 x 16mm
16	1800001	10986206	1	Warning Label
17	1801369A	10993175	1	Blade Guard Size Tag
18	2900287	10989699	2	Rivet, 1/8" Dia.
19	6048026	966659	1	Hinge Assembly

ITEM	PART NO.	SAP NO.	QTY.	DESCRIPTION
20	2500270	966170	1	Blade Guard Hinge
21	2900310	966380	5	Cap Screw, Hex Hd., M6-1.0 x 20mm
22	2901494	10993370	6	Flat Washer, M6
23	2900302	966373	7	Lock Nut, M6-1.0 Nylon Insert
24	2900312	966382	1	Cap Screw, Hex Hd., M6-1.0 x 35mm

20" Blade Guard Assembly #6010952

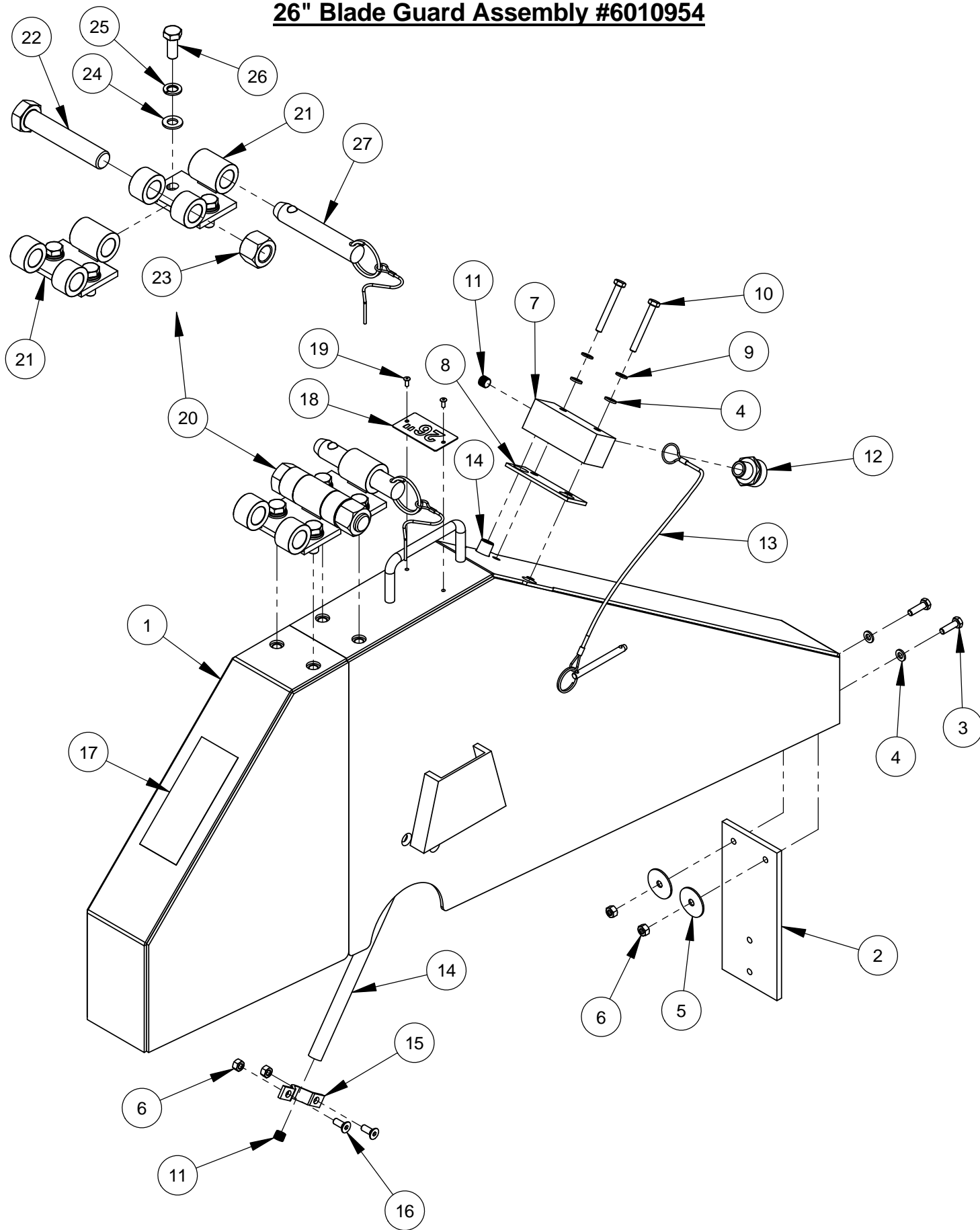


20" Blade Guard Assembly #6010952 (SAP# 10989833)

ITEM	PART NO.	SAP NO.	QTY.	DESCRIPTION
1	6010603	10989834	1	20" Blade Guard Front & Rear Only
2	6010081	966520	1	Splash Flap
3	2900310	966380	2	Cap Screw, Hex Hd., M6-1.0 x 20mm
4	2901494	10993370	4	Flat Washer, M6
5	2900083	10987846	2	Fender Washer, 1/4" x 1-1/4"
6	2900302	966373	8	Lock Nut, M6-1.0 Nylon Insert
7	6010261	977424	1	Water Manifold
8	2500830	10989515	1	Water Manifold Gasket
9	2901355	10993349	2	Cap Screw, Hex Hd., M6-1.0 x 50mm
10	3200001	966415	3	Plug, 1/8" NPT
11	3200002	962621	1	Fitting, 3/8" M. Pipe to 3/4" M. Garden
12	2900278	10989696	1	Lanyard with Lock Pin
13	6010085	966523	2	Water Tube for 20" Guard
14	6048155	966738	2	Water Tube Clamp
15	2900308	966378	4	Cap Screw, Flat Hd., M6-1.0 x 16mm
16	1800001	10986206	1	Warning Label
17	1801369D	10989499	1	Blade Guard Size Tag
18	2900287	10989699	2	Rivet, 1/8" Dia.
19	6048027	966660	1	Hinge Assembly

ITEM	PART NO.	SAP NO.	QTY.	DESCRIPTION
20	2500270	966170	1	Blade Guard Hinge
21	2900310	966380	6	Cap Screw, Hex Hd., M6-1.0 x 20mm
22	2901494	10993370	6	Flat Washer, M6
23	2900302	966373	6	Lock Nut, M6-1.0 Nylon Insert

26" Blade Guard Assembly #6010954

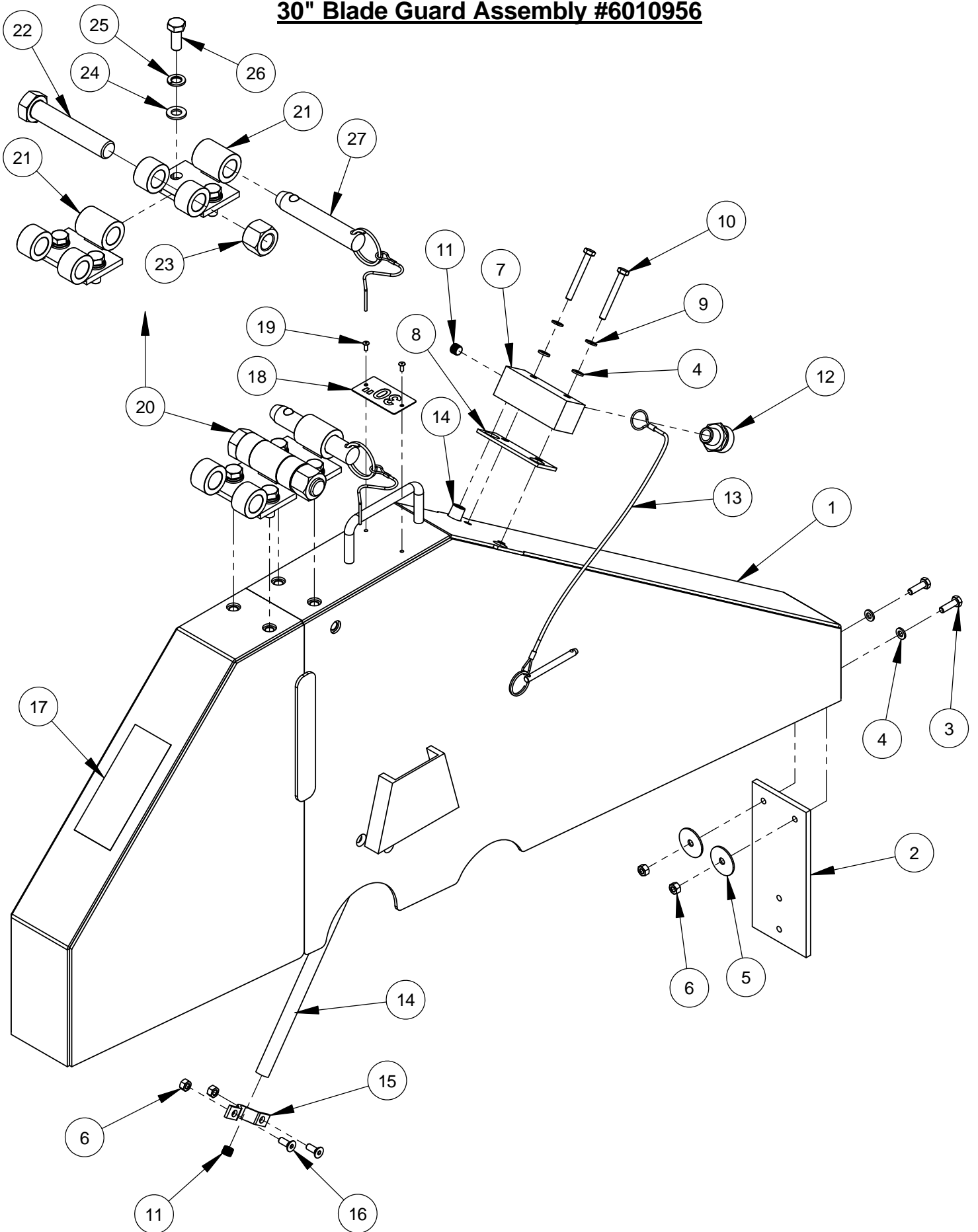


26" Blade Guard Assembly #6010954 (SAP# 10985254)

ITEM	PART NO.	SAP NO.	QTY.	DESCRIPTION
1	6010955	10993456	1	26" Blade Guard Front & Rear Only
2	6010081	966520	1	Splash Flap
3	2900310	966380	2	Cap Screw, Hex Hd., M6-1.0 x 20mm
4	2901494	10993370	4	Flat Washer, M6
5	2900083	10987846	2	Fender Washer, 1/4" x 1-1/4"
6	2900302	966373	6	Lock Nut, M6-1.0 Nylon Insert
7	6010261	977424	1	Water Manifold
8	2500830	10989515	1	Water Manifold Gasket
9	2900765	10993321	2	Lock Washer, M6 Split
10	2901355	10993349	2	Cap Screw, Hex Hd., M6-1.0 x 50mm
11	3200001	966415	3	Plug, 1/8" NPT
12	3200002	962621	1	Fitting, 3/8" M. Pipe to 3/4" M. Garden
13	2900279	10989697	1	Lanyard with Lock Pin
14	6010086	965309	2	Water Tube for 26" Guard
15	6048155	966738	2	Water Tube Clamp
16	2900308	966378	4	Cap Screw, Flat Hd., M6-1.0 x 16mm
17	1800001	10986206	1	Warning Label
18	1801369F	10989498	1	Blade Guard Size Tag
19	2900287	10989699	2	Rivet, 1/8" Dia.
20	6010873	10993447	1	Universal Hinge Assembly

ITEM	PART NO.	SAP NO.	QTY	DESCRIPTION
21	6010871	10989844	2	Hinge Weldment, Universal
22	2900479	10988726	1	Cap Screw, Hex Hd., 3/4-10 x 4"
23	2900467	10988727	1	Lock Nut, 3/4-10 Nylon
24	2901356	10993350	4	Flat Washer, M10
25	2900321	966391	4	Lock Washer, M10 Split
26	2900333	966402	4	Cap Screw, Hex Hd., M10-1.5 x 25mm
27	2503824	10989610	1	Detent Pin, 3/4" x 3" Grip

30" Blade Guard Assembly #6010956

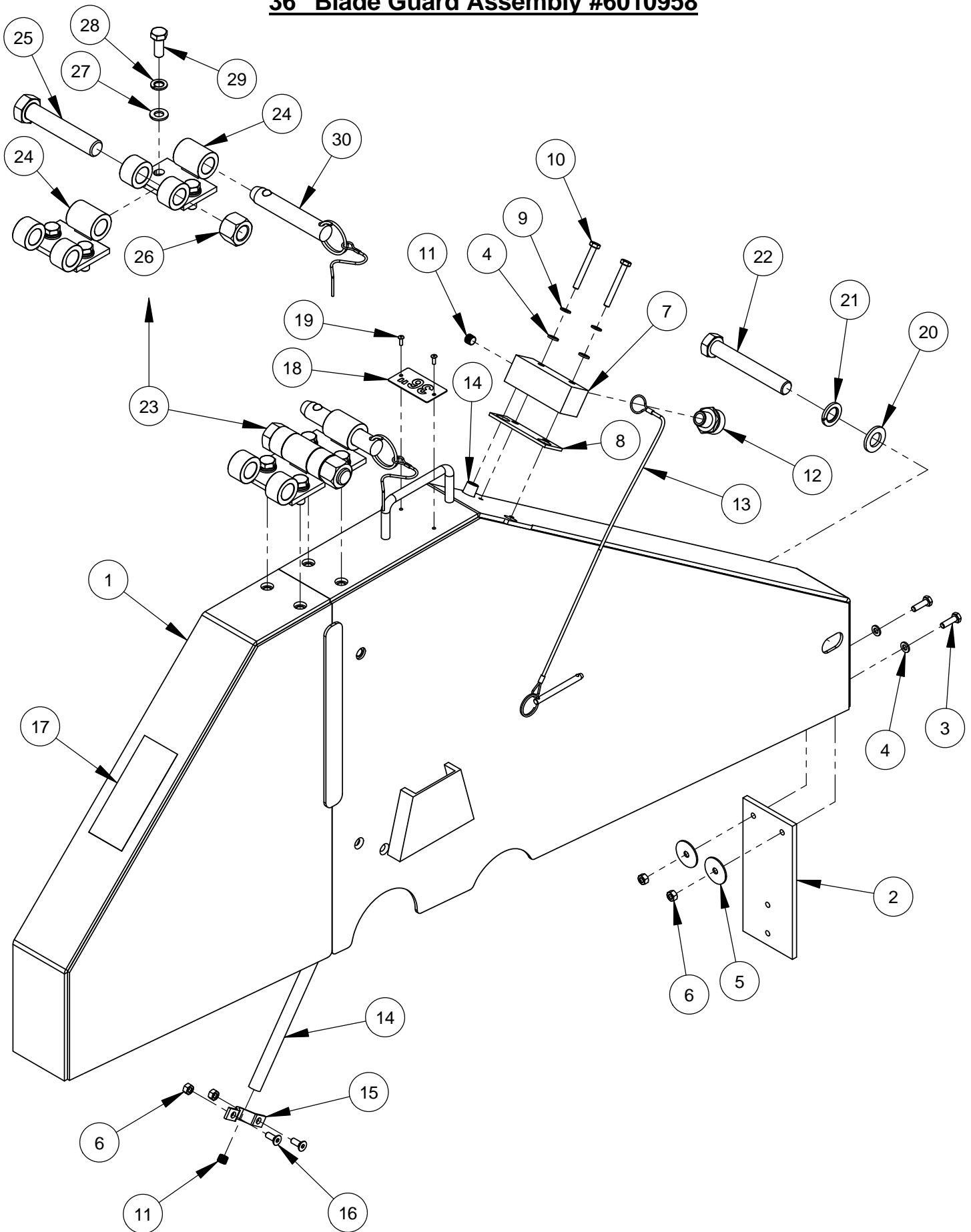


30" Blade Guard Assembly #6010956 (SAP# 10989836)

ITEM	PART NO.	SAP NO.	QTY.	DESCRIPTION
1	6010957	10993457	1	30" Blade Guard Front & Rear Only
2	6010081	966520	1	Splash Flap
3	2900310	966380	2	Cap Screw, Hex Hd., M6-1.0 x 20mm
4	2901494	10993370	4	Flat Washer, M6
5	2900083	10987846	2	Fender Washer, 1/4" x 1-1/4"
6	2900302	966373	6	Lock Nut, M6-1.0 Nylon Insert
7	6010261	977424	1	Water Manifold
8	2500830	10989515	1	Water Manifold Gasket
9	2900765	10993321	2	Lock Washer, M6 Split
10	2901355	10993349	2	Cap Screw, Hex Hd., M6-1.0 x 50mm
11	3200001	966415	3	Plug, 1/8" NPT
12	3200002	962621	1	Fitting, 3/8" M. Pipe to 3/4" M. Garden
13	2900279	10989697	1	Lanyard with Lock Pin
14	6010087	966525	2	Water Tube for 30" Guard
15	6048155	966738	2	Water Tube Clamp
16	2900308	966378	4	Cap Screw, Flat Hd., M6-1.0 x 16mm
17	1800001	10986206	1	Warning Label
18	1801369G	10990110	1	Blade Guard Size Tag
19	2900287	10989699	2	Rivet, 1/8" Dia.
20	6010873	10993447	1	Universal Hinge Assembly

ITEM	PART NO.	SAP NO.	QTY	DESCRIPTION
21	6010871	10989844	2	Hinge Weldment, Universal
22	2900479	10988726	1	Cap Screw, Hex Hd., 3/4-10 x 4"
23	2900467	10988727	1	Lock Nut, 3/4-10 Nylon
24	2901356	10993350	4	Flat Washer, M10
25	2900321	966391	4	Lock Washer, M10 Split
26	2900333	966402	4	Cap Screw, Hex Hd., M10-1.5 x 25mm
27	2503824	10989610	1	Detent Pin, 3/4" x 3" Grip

36" Blade Guard Assembly #6010958

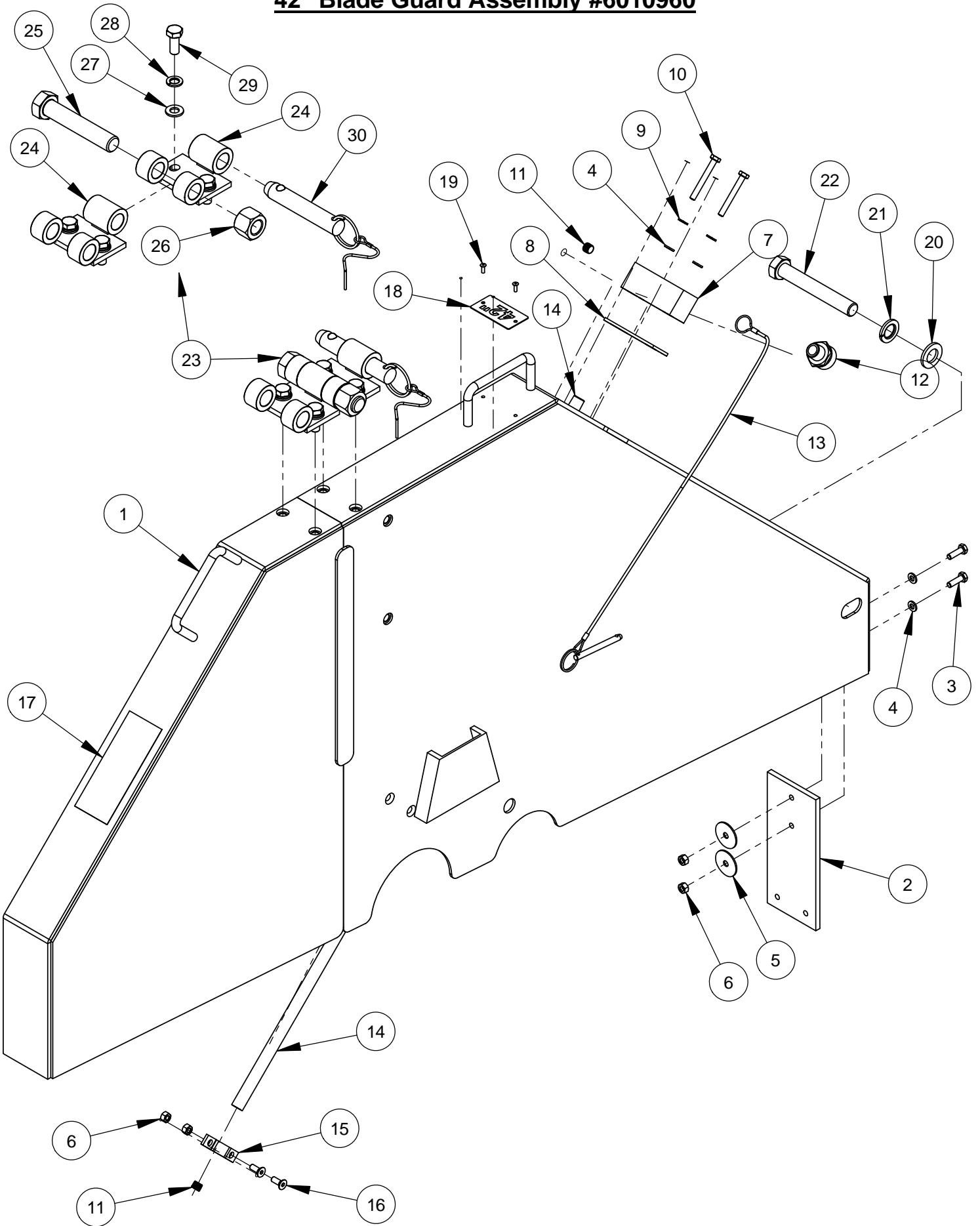


36" Blade Guard Assembly #6010958 (SAP# 10989838)

ITEM	PART NO.	SAP NO.	QTY.	DESCRIPTION
1	6010959	10993458	1	36" Blade Guard Front & Rear Only
2	6010081	966520	1	Splash Flap
3	2900310	966380	2	Cap Screw, Hex Hd., M6-1.0 x 20mm
4	2901494	10993370	4	Flat Washer, M6
5	2900083	10987846	2	Fender Washer, 1/4" x 1-1/4"
6	2900302	966373	6	Lock Nut, M6-1.0 Nylon Insert
7	6010261	977424	1	Water Manifold
8	2500830	10989515	1	Water Manifold Gasket
9	2900765	10993321	2	Lock Washer, M6 Split
10	2901355	10993349	2	Cap Screw, Hex Hd., M6-1.0 x 50mm
11	3200001	966415	3	Plug, 1/8" NPT
12	3200002	962621	1	Fitting, 3/8" M. Pipe to 3/4" M. Garden
13	2900280	10989184	1	Lanyard with Lock Pin
14	6010088	966526	2	Water Tube for 36" Guard
15	6048155	966738	2	Water Tube Clamp
16	2900308	966378	4	Cap Screw, Flat Hd., M6-1.0 x 16mm
17	1800001	10986206	1	Warning Label
18	1801369H	10989501	1	Blade Guard Size Tag
19	2900639	10989721	2	Rivet, 1/8" Dia.
20	2901358	10993352	1	Flat Washer, M16
21	2900716	10993315	1	Lock Washer, M16 Split
22	2901349	10993343	1	Cap Screw, Hex Hd., M16-2.0 x 110mm
23	6010873	10993447	1	Universal Hinge Assembly

ITEM	PART NO.	SAP NO.	QTY	DESCRIPTION
24	6010871	10989844	2	Hinge Weldment, Universal
25	2900479	10988726	1	Cap Screw, Hex Hd., 3/4-10 x 4"
26	2900467	10988727	1	Lock Nut, 3/4-10 Nylon
27	2901356	10993350	4	Flat Washer, M10
28	2900321	966391	4	Lock Washer, M10 Split
29	2900333	966402	4	Cap Screw, Hex Hd., M10-1.5 x 25mm
30	2503824	10989610	1	Detent Pin, 3/4" x 3" Grip

42" Blade Guard Assembly #6010960

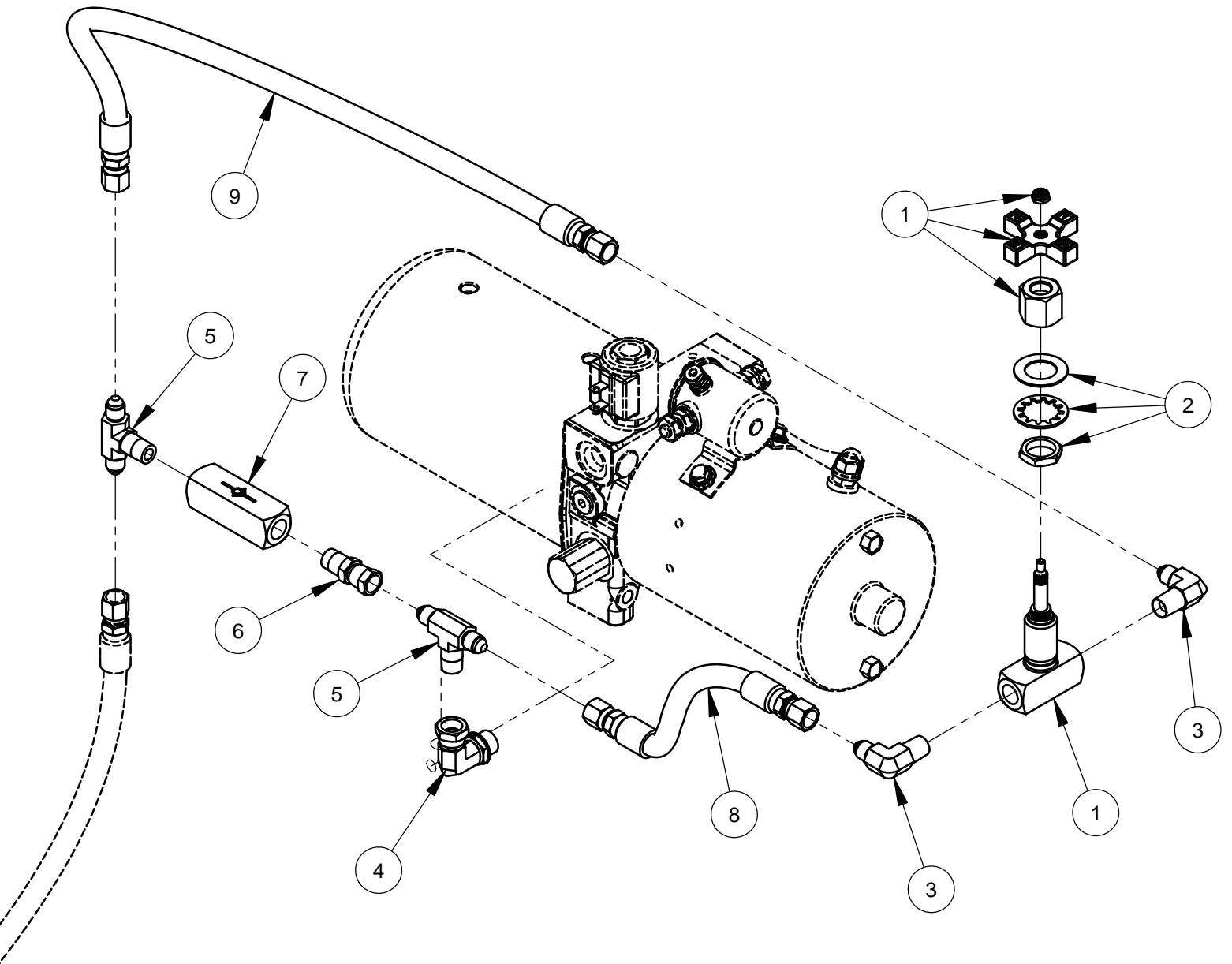


42" Blade Guard Assembly #6010960 (SAP# 10985287)

ITEM	PART NO.	SAP NO.	QTY	DESCRIPTION
1	6010961	10993459	1	42" Blade Guard Front & Rear Only
2	6010081	966520	1	Splash Flap
3	2900310	966380	2	Cap Screw, Hex Hd., M6-1.0 x 20mm
4	2901494	10993370	4	Flat Washer, M6
5	2900083	10987846	2	Fender Washer, 1/4" x 1-1/4"
6	2900302	966373	6	Lock Nut, M6-1.0 Nylon Insert
7	6048123	969159	1	Water Manifold
8	2500829	10987222	1	Water Manifold Gasket
9	2900765	10993321	2	Lock Washer, M6 Split
10	2901355	10993349	2	Cap Screw, Hex Hd., M6-1.0 x 50mm
11	3200001	966415	3	Plug, 1/8" NPT
12	3200002	962621	1	Fitting, 3/8" M. Pipe to 3/4" M. Garden
13	2900280	10989184	1	Lanyard with Lock Pin
14	6010114	966545	2	Water Tube for 42" Guard
15	6048155	966738	2	Water Tube Clamp
16	2900308	966378	4	Cap Screw, Flat Hd., M6-1.0 x 16mm
17	1800001	10986206	1	Warning Label
18	1801369I	10989502	1	Blade Guard Size Tag
19	2900639	10989721	2	Rivet, 1/8" Dia.
20	2901358	10993352	1	Flat Washer, M16
21	2900716	10993315	1	Lock Washer, M16 Split
22	2901349	10993343	1	Cap Screw, Hex Hd., M16-2.0 x 110mm
23	6010873	10993447	1	Universal Hinge Assembly

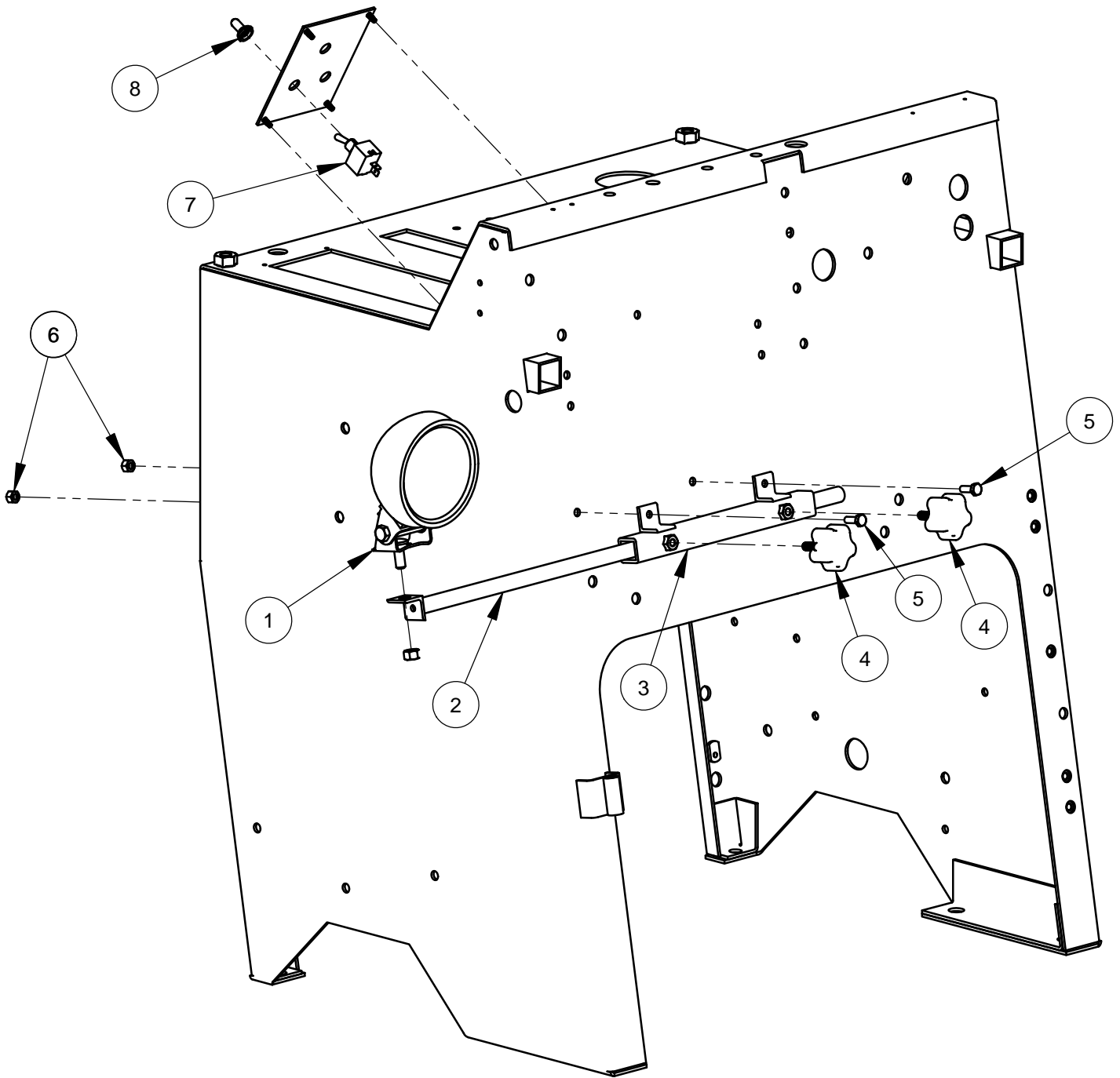
ITEM	PART NO.	SAP NO.	QTY	DESCRIPTION
24	6010871	10989844	2	Hinge Weldment, Universal
25	2900479	10988726	1	Cap Screw, Hex Hd., 3/4-10 x 4"
26	2900467	10988727	1	Lock Nut, 3/4-10 Nylon
27	2901356	10993350	4	Flat Washer, M10
28	2900321	966391	4	Lock Washer, M10 Split
29	2900333	966402	4	Cap Screw, Hex Hd., M10-1.5 x 25mm
30	2503824	10989610	1	Detent Pin, 3/4" x 3" Grip

Optional Lowering Speed Metering Valve Assembly #6010227 (SAP# 10993396)



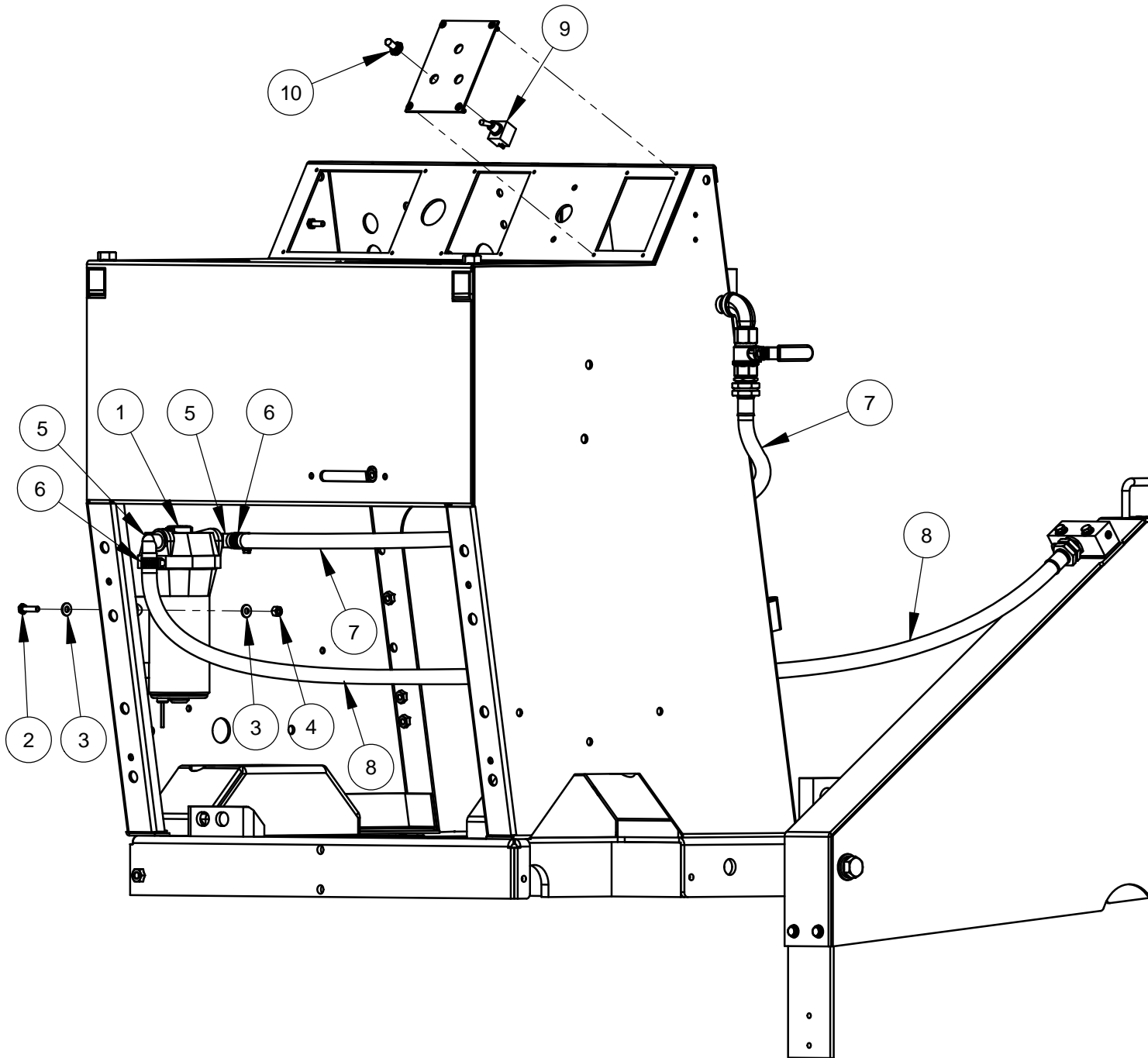
ITEM	PART NO.	SAP NO.	QTY.	DESCRIPTION
1	3200211	10984869	1	Valve, 1/4" Metering
2	3200212	10987622	1	Panel Mounting Kit
3	3200057	966435	2	Elbow, 1/4" M. Pipe to 1/4" M. JIC
4	3200115	966447	1	Elbow, 3/8" O-Ring to 1/4" F. Pipe
5	3200213	10993380	2	Tee, 1/4" M. JIC to 1/4" M. Pipe
6	3200219	10989782	1	Adapter, 1/4" M. Pipe to 1/4" F. JIC
7	3200218	10993381	1	Check Valve
8	6010247	10993397	1	Hose Assembly, 8" Long
9	6010248	10993398	1	Hose Assembly, 20" Long

Optional Spot Light Assembly #6010112 (SAP# 966544)



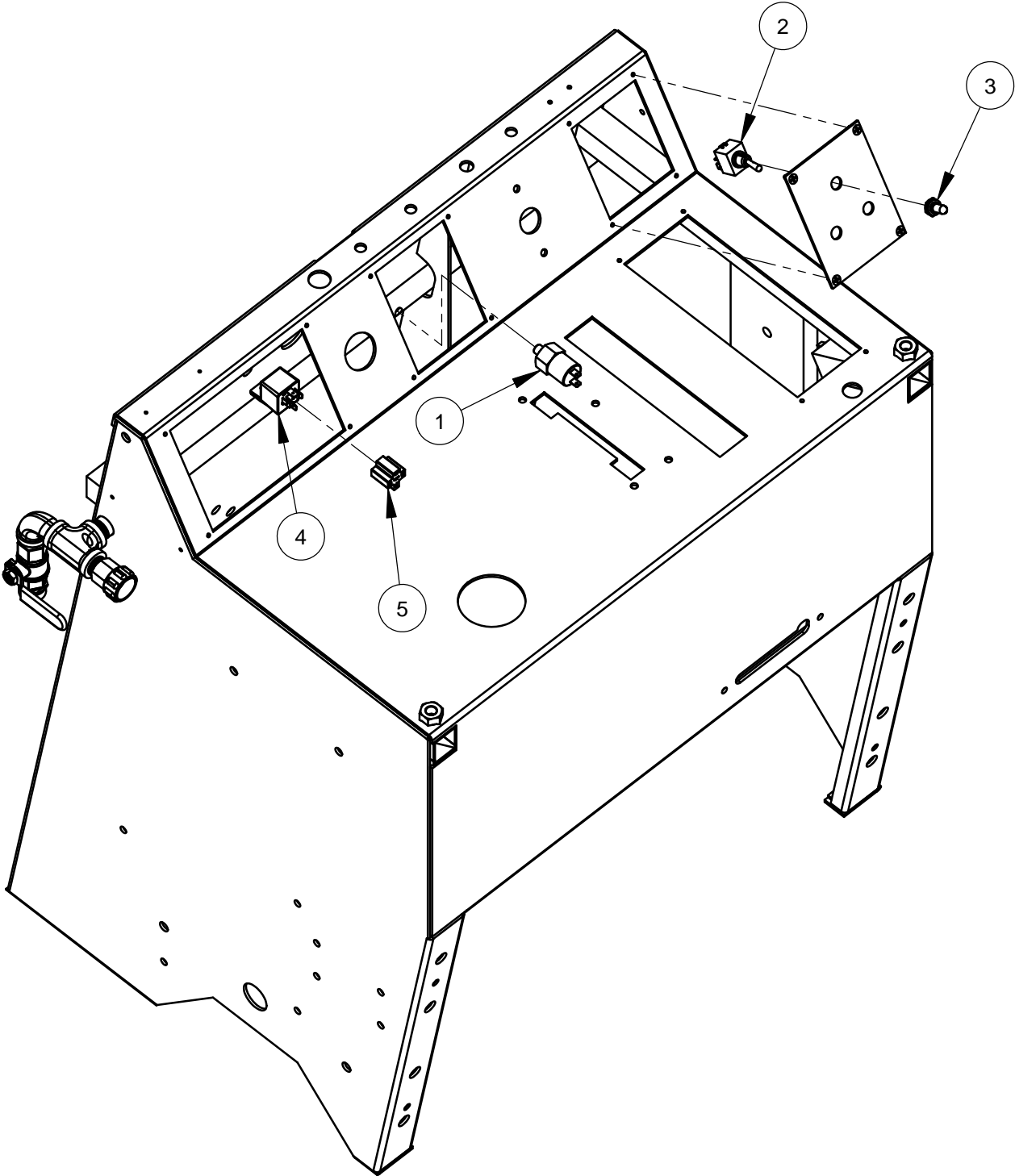
ITEM	PART NO.	SAP NO.	QTY.	DESCRIPTION
1	2500194	966157	1	Spot Light, 12 Volt
2	6010106	966540	1	Light Bar
3	6010107	966541	1	Light Bar Mount Bracket
4	2400157	10989506	2	Hand Lock Knob, 5/16-18 x 1"
5	2900144	966338	2	Cap Screw, Hex Hd., 1/4-20 x 3/4"
6	2900010	966271	2	Lock Nut, 1/4-20 Nylon
7	2800062	966251	1	Toggle Switch On/Off
8	2800063	966252	1	Switch Boot

Optional Water Pump Assembly #6011032 (SAP# 966567)



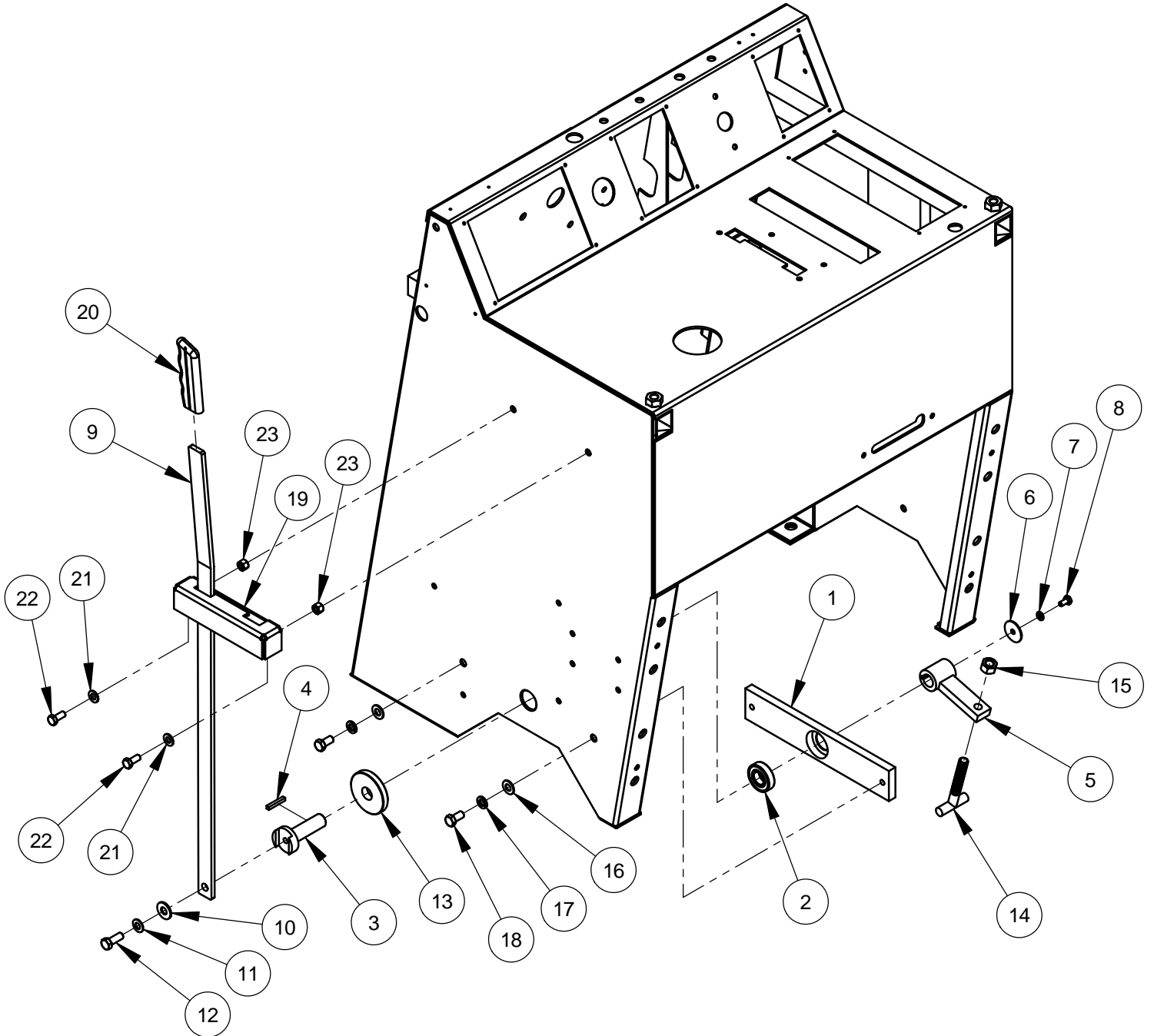
ITEM	PART NO.	SAP NO.	QTY.	DESCRIPTION
1	2600200	966218	1	Water Pump, 12V Diaphragm
2	2900008	966269	4	Cap Screw, Hex Hd., 1/4-20 x 1"
3	2900009	966270	8	Flat Washer, 1/4" SAE
4	2900010	966271	4	Lock Nut, 1/4-20 Nylon
5	2701694	10989626	2	Port Fitting, 1/2" Barb x 90 Degree
6	3200016	966420	2	Hose Clamp #8
7	6010302	10991127	1	Hose Assembly, 4 Foot
8	6010303	10989829	1	Water Hose Assembly 60"
9	2800062	966251	1	Toggle Switch On/Off
10	2800063	966252	1	Switch Boot

Optional Water Safety Switch Assembly #6010522 (SAP# 10993408)



ITEM	PART NO.	SAP NO.	QTY.	DESCRIPTION
1	2800060	966250	1	Water Pressure Safety Switch
2	2800062	966251	1	Toggle Switch On/Off
3	2800063	966252	1	Switch Boot
4	2800144	10984859	1	Relay, 50 Amp, 12V, SPDT
5	2800263	10987585	1	Relay Connector (5 Wire)

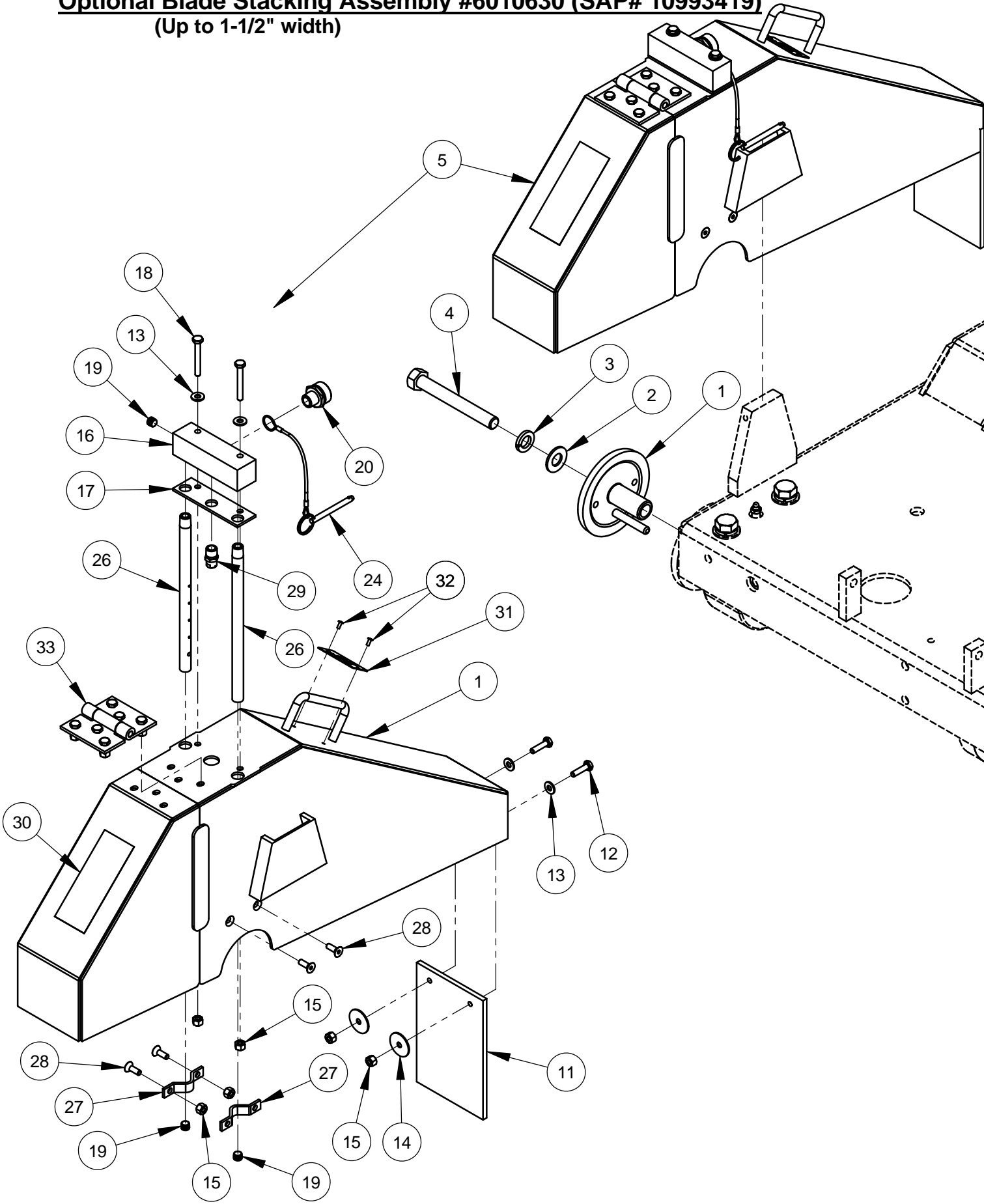
Optional Parking Brake Assembly #6011228 (SAP# 10993483)



Optional Parking Brake Assembly #6011228 (SAP# 10993483)

ITEM	PART NO.	SAP NO.	QTY.	DESCRIPTION
1	6011229	10993484	1	Bearing Housing Bar
2	2501664	10993192	1	Ball Bearing, 3/4" x 1-5/8" x 7/16"
3	6011230	10993485	1	Pivot Pin
4	6048229	966747	1	Key, 3/16" Sq. x 1-1/4"
5	6011231	10988924	1	Pivot Arm
6	2900083	10987846	1	Fender Washer, 1/4" x 1-1/4"
7	2900024	966284	1	Lock Washer, 1/4" Split
8	2900082	10993280	1	Cap Screw, Hex Hd., 1/4-20 x 1/2"
9	6011232	10984417	1	Brake Lever
10	2900473	10989711	1	Flat Washer, 3/8" USS
11	2900474	10993299	1	Belleville Washer, 3/8"
12	2900005	966266	1	Cap Screw, Hex Hd., 3/8-16 x 1"
13	6011234	10989847	1	Friction Disc, 3/4" x 2-1/2" x 3/8"
14	2900632	10987182	1	T-Bolt, 1/2-13
15	2900037	966294	1	Hex Nut, 1/2-13
16	2900014	966275	2	Flat Washer, 3/8" SAE
17	2900006	966267	2	Lock Washer, 3/8" Split
18	2900196	10989685	2	Cap Screw, Hex Hd., 3/8-16 x 3/4"
19	6011233	10993486	1	Lever Gate
20	2500002	966115	1	Lever Grip
21	2900022	966283	2	Flat Washer, 5/16" SAE
22	2900019	966280	2	Cap Screw, Hex Hd., 5/16-18 x 3/4"
23	2900039	966296	2	Lock Nut, 5/16-18 Nylon

Optional Blade Stacking Assembly #6010630 (SAP# 10993419)
(Up to 1-1/2" width)



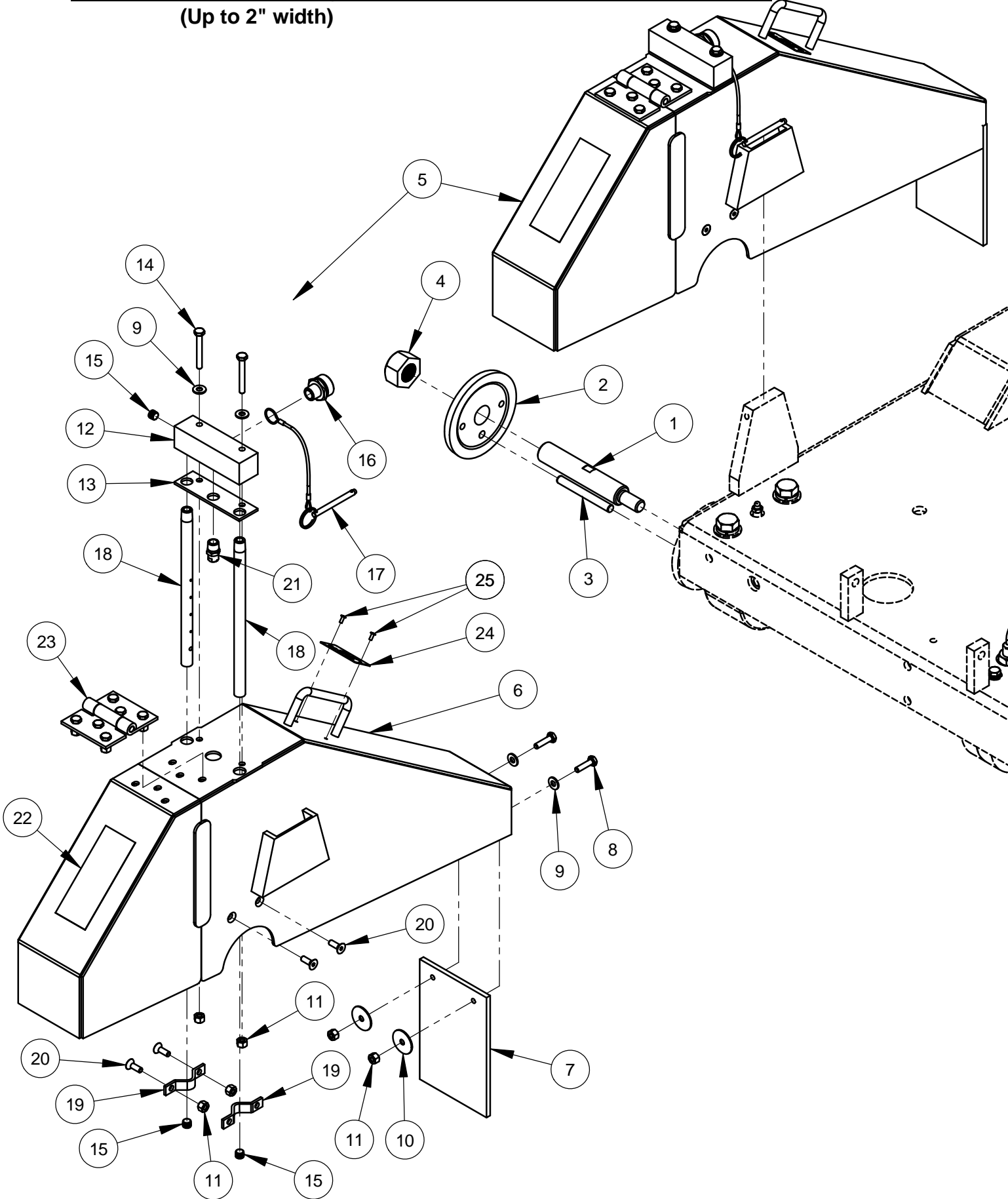
Optional Blade Stacking Assembly #6010630 (SAP# 10993419)
(Up to 1-1/2" width)

ITEM	PART NO.	SAP NO.	QTY.	DESCRIPTION
1	6010159	10987633	1	Outer Flange 4-1/2" with Pin
2	2900002	966263	1	Flat Washer, 5/8" SAE
3	2900113	966326	1	Lock Washer, 5/8" Split
4	2900210	10993283	1	Cap Screw, Hex Hd., 5/8-11 x 5" LH
5	6010620	10993415	1	20" Wide Blade Guard Assembly

ITEM	PART NO.	SAP NO.	QTY.	DESCRIPTION
6	6010621	10993416	1	20" Wide Blade Guard Front & Rear Only
7	6010296	10993401	1	Splash Flap
8	2900008	966269	2	Cap Screw, Hex Hd., 1/4-20 x 1"
9	2900009	966270	4	Flat Washer, 1/4" SAE
10	2900083	10987846	2	Fender Washer, 1/4" x 1-1/4"
11	2900010	966271	8	Lock Nut, 1/4-20 Nylon
12	6010288	10993400	1	Water Manifold
13	2500988	10993183	1	Water Manifold Gasket
14	2900294	10988725	2	Cap Screw, Hex Hd., 1/4-20 x 2"
15	3200001	966415	3	Plug, 1/8" NPT
16	3200002	962621	1	Fitting, 3/8" M. Pipe to 3/4" M. Garden
17	2900278	10989696	1	Lanyard with Lock Pin
18	6010085	966523	2	Water Tube for 20" Guard
19	6048155	966738	2	Water Tube Clamp
20	2900020	966281	4	Cap Screw, Flat Hd., 1/4-20 x 3/4"
21	3200208	10993379	1	Nozzle, 1/4" NPT
22	1800001	10986206	1	Warning Label
23	6010251	10986441	1	Hinge Assembly for 20" Guard
24	1801369D	10989499	1	Blade Guard Size Tag
25	2900287	10989699	2	Rivet, 1/8" Dia.

Optional Blade Spacing Assembly #6010631 (SAP# 10993420)

(Up to 2" width)



Optional Blade Spacing Assembly #6010631 (SAP# 10993420)

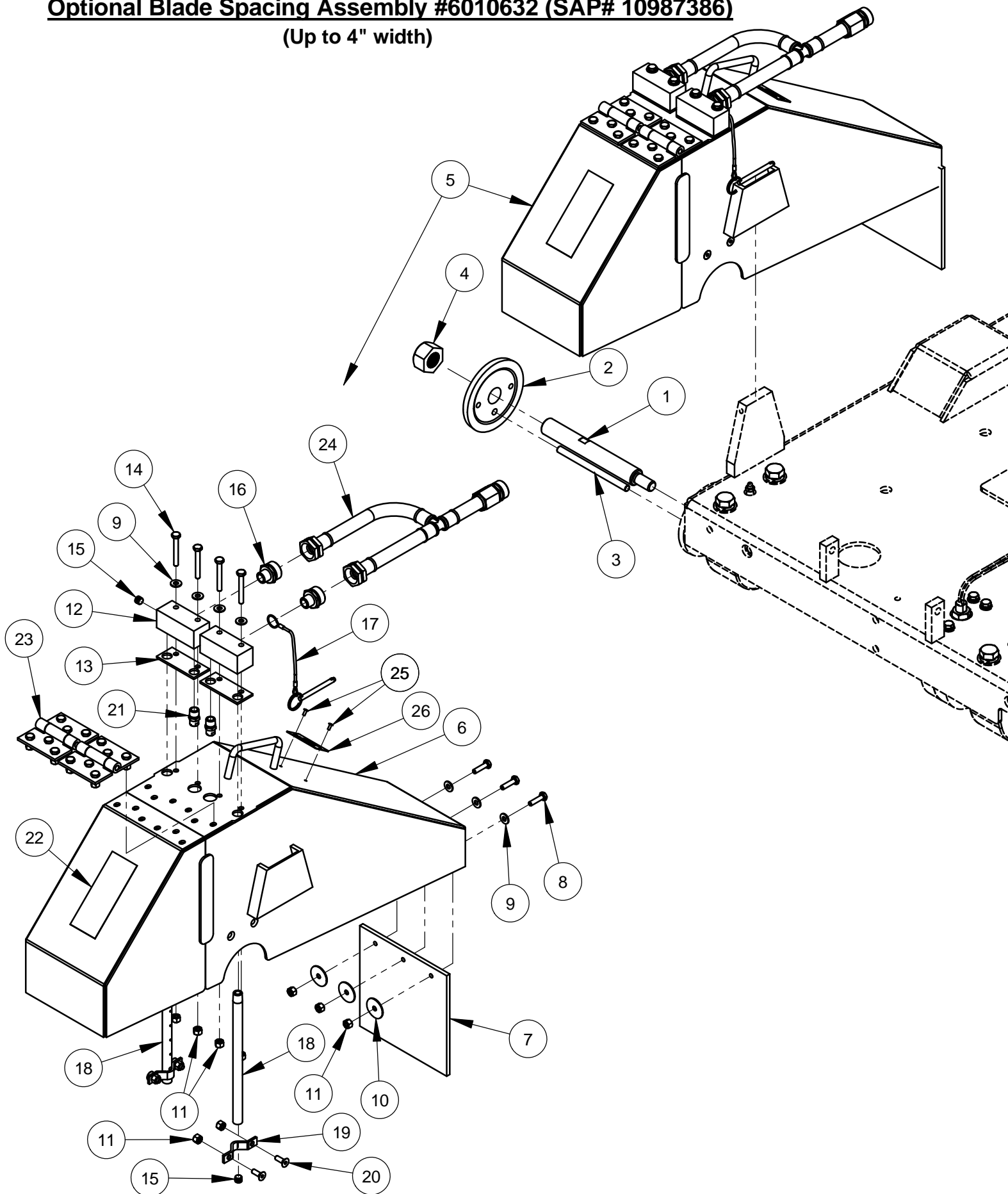
(Up to 2" width)

ITEM	PART NO.	SAP NO.	QTY.	DESCRIPTION
1	6010186	10993394	1	Blade Shaft Extension, Left Hand Thread
2	6010187	10993395	1	Outer Flange 4-1/2"
3	2900218	10993285	1	Dowel Pin, 3/8" Dia. x 3-1/2"
4	2900212	10993284	1	Hex Nut, 1"-14 Left Hand
5	6010620	10993415	1	20" Wide Blade Guard Assembly

ITEM	PART NO.	SAP NO.	QTY.	DESCRIPTION
6	6010621	10993416	1	20" Wide Blade Guard Front & Rear Only
7	6010296	10993401	1	Splash Flap
8	2900008	966269	2	Cap Screw, Hex Hd., 1/4-20 x 1"
9	2900009	966270	4	Flat Washer, 1/4" SAE
10	2900083	10987846	2	Fender Washer, 1/4" x 1-1/4"
11	2900010	966271	8	Lock Nut, 1/4-20 Nylon
12	6010288	10993400	1	Water Manifold
13	2500988	10993183	1	Water Manifold Gasket
14	2900294	10988725	2	Cap Screw, Hex Hd., 1/4-20 x 2"
15	3200001	966415	3	Plug, 1/8" NPT
16	3200002	962621	1	Fitting, 3/8" M. Pipe to 3/4" M. Garden
17	2900278	10989696	1	Lanyard with Lock Pin
18	6010085	966523	2	Water Tube for 20" Guard
19	6048155	966738	2	Water Tube Clamp
20	2900020	966281	4	Cap Screw, Flat Hd., 1/4-20 x 3/4"
21	3200208	10993379	1	Nozzle, 1/4" NPT
22	1800001	10986206	1	Warning Label
23	6010251	10986441	1	Hinge Assembly for 20" Guard
24	1801369D	10989499	1	Blade Guard Size Tag
25	2900287	10989699	2	Rivet, 1/8" Dia.

Optional Blade Spacing Assembly #6010632 (SAP# 10987386)

(Up to 4" width)



Optional Blade Spacing Assembly #6010632 (SAP# 10987386)
(Up to 4" width)

ITEM	PART NO.	SAP NO.	QTY.	DESCRIPTION
1	6010309	10993402	1	Blade Shaft Extension, Left Hand Thread
2	6010187	10993395	1	Outer Flange 4-1/2"
3	6010359	10993405	1	Drive Pin, 3/8" Dia. x 5-1/2"
4	2900212	10993284	1	Hex Nut, 1"-14 Left Hand
5	6010622	10993417	1	20" Wide Blade Guard Assembly

ITEM	PART NO.	SAP NO.	QTY.	DESCRIPTION
6	6010623	10993418	1	20" Wide Blade Guard Front & Rear Only
7	6010366	10993406	1	Splash Flap
8	2900008	966269	3	Cap Screw, Hex Hd., 1/4-20 x 1"
9	2900009	966270	7	Flat Washer, 1/4" SAE
10	2900083	10987846	3	Fender Washer, 1/4" x 1-1/4"
11	2900010	966271	11	Lock Nut, 1/4-20 Nylon
12	6048123	969159	2	Water Manifold
13	2500829	10987222	2	Water Manifold Gasket
14	2900294	10988725	4	Cap Screw, Hex Hd., 1/4-20 x 2"
15	3200001	966415	4	Plug, 1/8" NPT
16	3200002	962621	2	Fitting, 3/8" M. Pipe to 3/4" M. Garden
17	2900278	10989696	1	Lanyard with Lock Pin
18	6010085	966523	2	Water Tube for 20" Guard
19	6048155	966738	2	Water Tube Clamp
20	2900020	966281	4	Cap Screw, Flat Hd., 1/4-20 x 3/4"
21	3200208	10993379	2	Nozzle, 1/4" NPT
22	1800001	10986206	1	Warning Label
23	6010251	10986441	2	Hinge Assembly for 20" Guard
24	6010588	10993413	1	Hose Assembly, Dual Inlet
25	2900287	10989699	2	Rivet, 1/8" Dia.
26	1801369D	10989499	1	Blade Guard Size Tag