

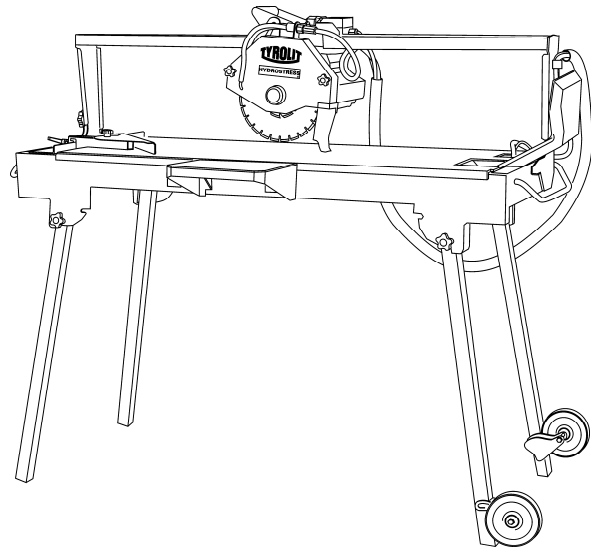
# Ersatzteilliste

*Spare Parts List / Liste des pièces détachées / Lista delle parti di ricambio*

---

## **TRE250 ★★ ★**

*Index / Indice «000»*



# Verwendung der Ersatzteilliste

Die Ersatzteilliste ist keine Montage- oder Demontageanleitung. Diese Ersatzteilliste dient ausschliesslich zum einfachen und schnellen Finden von Ersatzteilen, die bei der untenstehenden Adresse bestellt werden können.

## Sicherheitsvorschrift



### Gefahr

**Montieren oder demontieren von Baugruppen kann Risiken bergen, auf die in dieser Ersatzteilliste nicht hingewiesen wird.**

**Das Verwenden dieser Ersatzteilliste für Montage- oder Demontagezwecke ist strikte verboten. Für Montage- und Demontearbeiten sind ausschliesslich die entsprechenden Beschreibungen in der Betriebsanleitung zu befolgen.**

**Nichtbeachten dieser Vorschrift kann zu Verletzungen führen, die im schlimmsten Fall auch den Tod zur Folge haben könnten.**

## Bestellungen



### Information

**Um Falschliefereien zu vermeiden sollten vor der Versendung die Angaben in der Bestellung auf Richtigkeit und Vollständigkeit (siehe unter Bestellangaben) überprüft werden.**

**Es ist auch darauf zu achten, dass die Lieferadresse vollständig angegeben ist.**

## Bestelladresse:

### TYROLIT Hydrostress AG

Witzbergstrasse 18  
CH-8330 Pfäffikon  
Switzerland  
Tel. +41 (0) 44 / 952 18 18  
Fax +41 (0) 44 / 952 18 00  
e-mail: [info@tyrolit.com](mailto:info@tyrolit.com)

[www.tyrolit.com](http://www.tyrolit.com)

# 0 Ersatzteilliste

## 0.1 Bestellangaben

| TYROLIT    |                        | HYDROSTRESS  |             | CE |  |
|------------|------------------------|--------------|-------------|----|--|
| Type       | TRE250P                | Article No.  |             |    |  |
| Serial No. |                        | Index        | 000         |    |  |
| Power      | 1.3 kW                 | Voltage      | 230V / 50Hz |    |  |
| Weight     | 79 kg                  | Year         | 2015        |    |  |
| RPM        | 2800 min <sup>-1</sup> | Max. Blade Ø | 250 mm      |    |  |
| Bore Ø     | 25.4 mm                |              |             |    |  |

TYROLIT Hydrostress AG | CH-8330 Pfäffikon ZH

Bei Bestellungen von Ersatzteilen benötigen wir folgende Angaben:

- Maschinentyp gemäss Typenschild (z.B. « TRE250P »)
- Maschinenummer gemäss Typenschild (z.B. «20030000»)
- Maschinenindex gemäss Typenschild (z.B. «000»)
- Ersatzteilnummer gemäss Ersatzteilliste (z.B. « 10995458 »)

Für Bestellungen, Fragen und Informationen wenden Sie sich bitte an die zuständige Niederlassung.

# How to use the spare parts list

The spare parts list is not intended as instructions for assembly or dismantling work. It is exclusively intended to help you to quickly and easily find spare parts, which can then be ordered at the address below.

## Safety regulations



### Danger

**The assembling or dismantling of modules can involve risks which are not identified in this spare parts list.**

**The use of this spare parts list for assembly or dismantling purposes is strictly forbidden. For assembly or dismantling tasks it is essential to only follow the corresponding descriptions in the operating manual.**

**If this regulation is not heeded injuries may be incurred which in the worst case can also be fatal.**

## Ordering



### Information

**To avoid incorrect deliveries you should check the order details for correctness and completeness (see under ordering details) prior shipment.**

**You should ensure that the delivery address is given in full.**

## Order address:

### **TYROLIT Hydrostress AG**

Witzbergstrasse 18  
CH-8330 Pfäffikon  
Switzerland  
Tel. +41 (0) 44 / 952 18 18  
Fax +41 (0) 44 / 952 18 00  
e-mail: [info@tyrolit.com](mailto:info@tyrolit.com)

**[www.tyrolit.com](http://www.tyrolit.com)**

# 0 Spare Parts List

## 0.1 Ordering details

| TYROLIT    |                        | HYDROSTRESS  |             | CE |  |
|------------|------------------------|--------------|-------------|----|--|
| Type       | TRE250P                | Article No.  |             |    |  |
| Serial No. |                        | Index        | 000         |    |  |
| Power      | 1.3 kW                 | Voltage      | 230V / 50Hz |    |  |
| Weight     | 79 kg                  | Year         | 2015        |    |  |
| RPM        | 2800 min <sup>-1</sup> | Max. Blade Ø | 250 mm      |    |  |
| Bore Ø     | 25.4 mm                |              |             |    |  |

TYROLIT Hydrostress AG | CH-8330 Pfäffikon ZH

When spare parts are ordered we need the following details:

- Machine type according to nameplate (e.g. «TRE250P»)
- Machine number according to nameplate (e.g. «20030000»)
- Machine index according to nameplate (e.g. «000»)
- Spare part number according to the spare parts list (e.g. «10995458»)

For orders, questions and information please contact your responsible branch office.

# Utilisation de la liste des pièces détachées

La liste des pièces détachées n'est pas une instruction de montage ou de démontage. Cette liste sert exclusivement à trouver simplement et rapidement les pièces détachées, qui peuvent être commandées à l'adresse mentionnée ci-dessous.

## Prescription de sécurité



### Danger

**Le montage ou le démontage des modules peut présenter des risques dont il n'est pas fait mention dans cette liste des pièces détachées.**

**Il est strictement interdit d'employer cette liste des pièces détachées à des fins de montage ou de démontage. Pour les opérations de montage et de démontage, il faut exclusivement suivre les descriptions correspondantes dans le mode d'emploi.**

**Le non-respect de la présente prescription peut conduire à des blessures, pouvant même entraîner la mort.**

## Commandes



### Information

**Pour éviter des livraisons inappropriées, il est conseillé de vérifier avant l'expédition l'exactitude et l'exhaustivité des indications fournies dans la commande (voir Données de commande).**

**Il faut aussi veiller à bien indiquer l'adresse de livraison en entier.**

## Adresse de commande :

### TYROLIT Hydrostress AG

Witzbergstrasse 18  
CH-8330 Pfäffikon  
Switzerland  
Tel. +41 (0) 44 / 952 18 18  
Fax +41 (0) 44 / 952 18 00  
e-mail: [info@tyrolit.com](mailto:info@tyrolit.com)

**[www.tyrolit.com](http://www.tyrolit.com)**

# 0 Liste des pièces détachées

## 0.1 Données de commande

| TYROLIT<br>HYDROSTRESS |                        | CE           |             |
|------------------------|------------------------|--------------|-------------|
| Type                   | TRE250P                | Article No.  |             |
| Serial No.             |                        | Index        | 000         |
| Power                  | 1.3 kW                 | Voltage      | 230V / 50Hz |
| Weight                 | 79 kg                  | Year         | 2015        |
| RPM                    | 2800 min <sup>-1</sup> | Max. Blade Ø | 250 mm      |
| Bore Ø                 | 25.4 mm                |              |             |

TYROLIT Hydrostress AG | CH-8330 Pfäffikon ZH

Lors de la commande de pièces détachées, nous avons besoin des données suivantes :

- Type de machine selon la plaque signalétique (p.ex. «TRE250P»)
- Numéro de machine selon la plaque signalétique (p.ex. «20030000»)
- Indice de machine selon la plaque signalétique (p.ex. «000»)
- Numéro de pièce détachée selon la liste des pièces détachées (p.ex. «10995458»)

Pour les commandes, questions et informations, vous êtes prié de vous adresser à la filiale compétente.

# Uso della lista delle parti di ricambio

La lista delle parti di ricambio non è un manuale d'istruzioni per montaggio o smontaggio. Questa lista delle parti di ricambio serve esclusivamente per trovare in modo semplice e rapido parti di ricambio che possono essere ordinate all'indirizzo riportato qui sotto.

## Norme di sicurezza



### Pericolo

**Il montaggio o lo smontaggio di componenti della macchina può comportare pericoli che non sono indicati in questa lista delle parti di ricambio.**

**E' assolutamente vietato servirsi di questa lista delle parti di ricambio per scopo di montaggio o di smontaggio. Per operazioni di montaggio o smontaggio occorre seguire esclusivamente le relative istruzioni nel manuale per l'uso della macchina.**

**La mancata osservanza di queste norme può comportare lesioni, e nel caso peggiore anche la morte.**

## Ordinazioni



### Informazioni

**Per evitare forniture incorrette, occorre verificare prima dell'invio dell'ordinazione se i dati indicati in essa sono corretti e completi (vedere la lista dei dati per l'ordinazione).**

**Occorre verificare anche se l'indirizzo per la consegna è esatto e completo.**

## Indirizzo per ordinazioni:

### **TYROLIT Hydrostress AG**

Witzbergstrasse 18  
CH-8330 Pfäffikon  
Switzerland  
Tel. +41 (0) 44 / 952 18 18  
Fax +41 (0) 44 / 952 18 00  
e-mail: [info@tyrolit.com](mailto:info@tyrolit.com)

**[www.tyrolit.com](http://www.tyrolit.com)**



# 0 Lista delle parti di ricambio

## 0.1 Dati per l'ordinazione

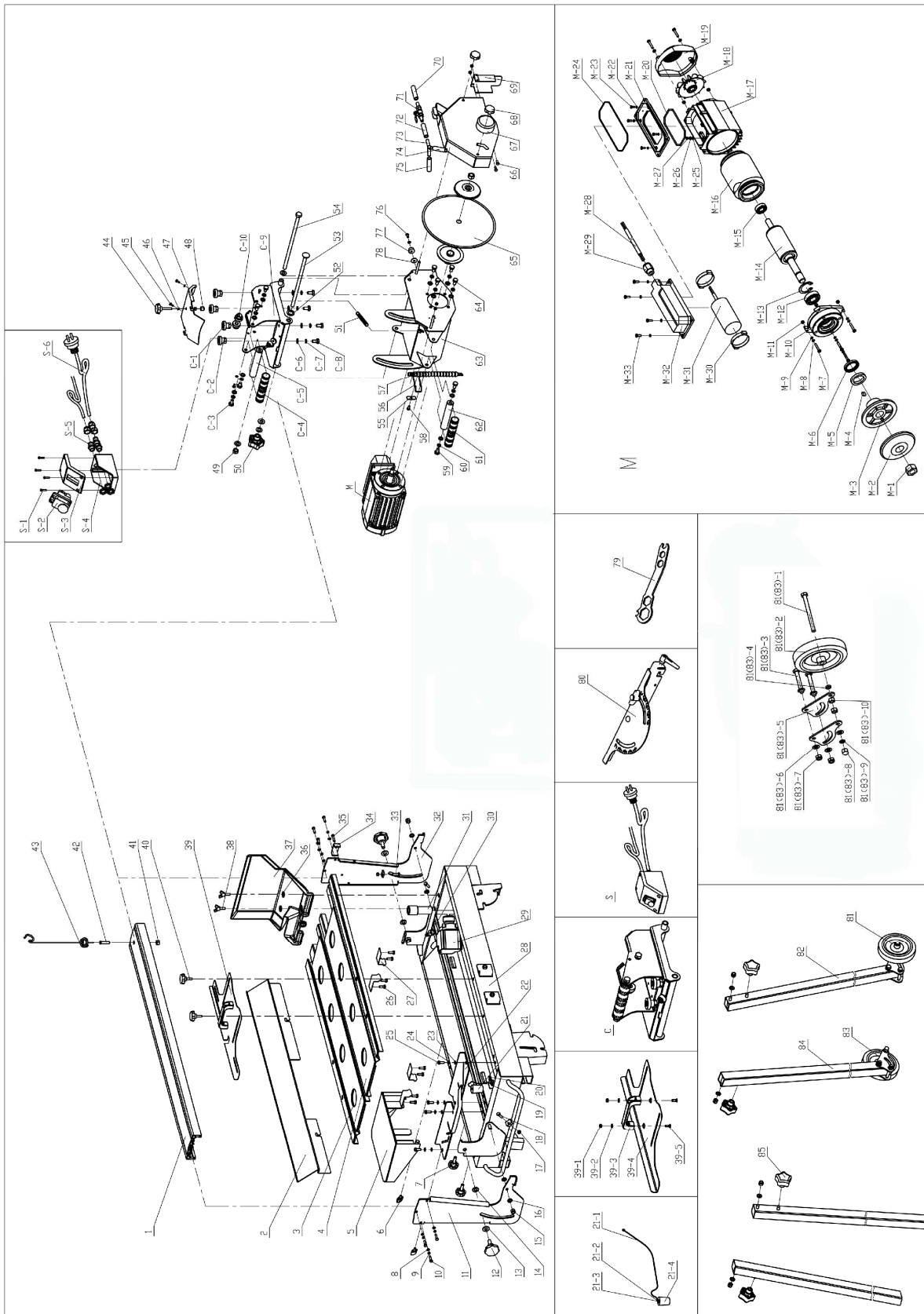
| TYROLIT    |                        | HYDROSTRESS  |             | CE |  |
|------------|------------------------|--------------|-------------|----|--|
| Type       | TRE250P                | Article No.  |             |    |  |
| Serial No. |                        | Index        | 000         |    |  |
| Power      | 1.3 kW                 | Voltage      | 230V / 50Hz |    |  |
| Weight     | 79 kg                  | Year         | 2015        |    |  |
| RPM        | 2800 min <sup>-1</sup> | Max. Blade Ø | 250 mm      |    |  |
| Bore Ø     | 25.4 mm                |              |             |    |  |

TYROLIT Hydrostress AG | CH-8330 Pfäffikon ZH

Per ordinazioni di parti di ricambio ci occorrono i dati seguenti:

- Tipo di macchina indicato sulla targhetta della macchina (per es. « TRE250P»)
- Numero della macchina indicato sulla targhetta della macchina (per es. «20030000»)
- Indice della macchina indicato sulla targhetta della macchina (per es. «000»)
- Numero della parte di ricambio secondo la lista di parti di ricambio (per es. « 10995458»)

Per ordinazioni, domande o richieste d'informazioni Vi preghiamo di rivolgerVi all'agenzia competente.



# TRE250★★★

|      |          |                          |      |          |                          |
|------|----------|--------------------------|------|----------|--------------------------|
| 1    | 10995458 | Guide rail               | 36   | 10995418 | Washer M6 6.4/18/1.6     |
| 2    | 10995459 | Side splash guard        | 37   | 10995487 | Rear splash guard        |
| 3    | 10995461 | Rear cutting table       | 38   | 10995488 | Wing screw M6x20         |
| 4    | 10995462 | Front cutting table      | 39   | 10995489 | Parallel guide assy      |
| 5    | 10995463 | Side extension table     | 39-1 | 979307   | Hexagon nut M6           |
| 6    | 10995466 | Wing screw M5x16 PA      | 39-2 | 10995427 | Washer M6 6.4/12/1.6     |
| 7    | 10995470 | Star handle M8x25 male   | 39-3 | 10995490 | Plastic handle           |
| 8    | 10995464 | Washer M5 5.3/10/1.0     | 39-4 | 10995491 | Parallel guide           |
| 9    | 971627   | Spring washer 5 DIN 125A | 39-5 | 10995492 | Countersunk screw M6x12  |
| 10   | 10989315 | Hex. screw M5x20         | 40   | 10995493 | Star handle M6x20 male   |
| 11   | 10995467 | Front swivel plate       | 41   | 971848   | Hexagon nut M10          |
| 12   | 10995476 | Star handle M10x25 male  | 42   | 10995494 | Hanger seat              |
| 13   | 10995468 | Washer 10.5x22x2 PA      | 43   | 10995495 | Cable & hose lock hanger |
| 14   | 971963   | Washer M10 10,5/20/2     | 44   | 10995496 | Star handle M6x35 male   |
| 15   | 971861   | Stop nut M8 thin head    | 45   | 977185   | Wing screw M4x10         |
| 16   | 10995417 | Washer M8 8.4/16/1.6     | 46   | 10994556 | Washer M4 4.3/9/0.8      |
| 17   | 979307   | Hexagon nut M6           | 47   | 10995497 | Position bracket         |
| 18   | 960923   | Hex. screw M6x30         | 48   | 10995498 | Protecting cap           |
| 19   | 971845   | Hexagon nut M5           | 49   | 971862   | Lock nut M10 thin head   |
| 20   | 10995471 | Hex. screw M5x10         | 50   | 10995569 | Adj. clamping lever M10  |
| 21   | 10995472 | Plug set                 | 51   | 10995499 | Load spring              |
| 21-1 | 10995474 | Chain                    | 52   | 10995501 | Washer 16/25/2 PA        |
| 21-2 | 10995568 | Screw ST 4.2x20          | 53   | 10995502 | Adjustment screw M10x235 |
| 21-3 | 10994556 | Washer M4 4.3/9/0.8      | 54   | 10995503 | Position screw M10x250   |
| 21-4 | 10995475 | Drain plug               | 55   | 10995504 | Clamping plate           |
| 22   | 10995469 | Ruler guide              | 56   | 10995505 | Adjustment clip          |
| 23   | 10995566 | Toothed washer M6        | 57   | 10995506 | Adjustable cooling pipe  |
| 24   | 10995427 | Washer M6 6.4/12/1.6     | 58   | 10989314 | Hex. screw M5x16         |
| 25   | 10995477 | Hex. screw M6x16         | 59   | 971897   | Hex. screw M8x16         |
| 26   | 10995477 | Hex. screw M6x16         | 60   | 10995507 | Lock washer M8           |
| 27   | 10995478 | Table locking plate      | 61   | 10995508 | Handle rubber sleeve     |
| 28   | 10995479 | Main frame               | 62   | 10995509 | Handle bar               |
| 29   | 10995480 | Water pump               | 63   | 10995510 | Motor mounting bracket   |
| 30   | 10995481 | Water pump adapter       | 64   | 971897   | Hex. screw M8x16         |
| 31   | 10995482 | Water control tube       | 65   |          | Diamond blade            |
| 32   | 10995483 | Rear swivel plate        | 66   | 979330   | Hex. screw M5x12         |
| 33   | 10995484 | Hex. screw M6x20         | 67   | 10995511 | Blade guard              |
| 34   | 10995485 | Cable & hose bracket     | 68   | 10995512 | Star handle M6 female    |
| 35   | 10995486 | Hex. screw M5x25         | 69   | 10995513 | Water splash guard       |

## TRE250★★★

|       |          |                          |      |          |                           |
|-------|----------|--------------------------|------|----------|---------------------------|
| 70    | 10995514 | Hose 2150                | M-2  | 10985472 | Outer flange              |
| 71    | 10995515 | Water control valve      | M-3  | 10995544 | Inner flange              |
| 72    | 10995516 | Hose 55                  | M-4  | 10995558 | Key 5x10                  |
| 73    | 10995517 | Water flow "Y" adapter   | M-5  | 10995545 | Sleeve                    |
| 74    | 10995518 | Hose 200                 | M-6  | 10995559 | Shaft seal Ø47xØ28x7.5    |
| 75    | 10995519 | Hose 160                 | M-7  | 10995540 | Screw M5x25               |
| 76    | 10995520 | Lenshead screw M5x16     | M-8  | 971627   | Spring washer 5 DIN 127A  |
| 77    | 10995567 | Travel bumper            | M-9  | 10995464 | Washer M5 5.3/10/1.0      |
| 78    | 10995420 | Washer M5 5.3/15/1.2     | M-10 | 10995546 | Front flange              |
| 79    | 10985640 | Multi-wrench             | M-11 | 971845   | Hexagon nut M5            |
| 80    | 10995521 | Angle guide assy         | M-12 | 10995560 | Bearing 6204              |
| 81    | 10995400 | Right wheel assy         | M-13 | 10995562 | Snap ring Ø47             |
| 81-1  | 10995522 | Hex. screw M8x95         | M-14 | 10995547 | Rotor                     |
| 81-2  | 10995523 | Rubber wheel 125mm       | M-15 | 10995561 | Bearing 6202              |
| 81-3  | 10995524 | Hex. screw M8x55         | M-16 | 10995548 | Stator                    |
| 81-4  | 979357   | Washer M8 8.4/24/2       | M-17 | 10995549 | Motor housing             |
| 81-5  | 10995525 | Wheel plate              | M-18 | 10995550 | Fan                       |
| 81-6  | 10995417 | Washer M8 8.4/16/1.6     | M-19 | 10995551 | Fan cover                 |
| 81-7  | 971861   | Stop nut M8 thin head    | M-20 | 10995563 | Rubber seal               |
| 81-8  | 979312   | Cup nut hex M8           | M-21 | 10995552 | Middle cover              |
| 81-9  | 10995507 | Lock washer M8           | M-22 | 971626   | Spring washer M4 DIN 127A |
| 81-10 | 979307   | Hexagon nut M6           | M-23 | 10995542 | Hex. screw M4x12          |
| 82    | 10995526 | Right front leg          | M-24 | 10995564 | Rubber seal               |
| 83    | 10995500 | Left wheel assy          | M-25 | 10995565 | Toothed washer M4         |
| 84    | 10995527 | Left front leg           | M-26 | 10994556 | Washer M4 4.3/9/0.8       |
| 85    | 977220   | Star handle M8 female    | M-27 | 10995541 | Hex. screw M4x8           |
| C     | 10995528 | Cut. head carriage assy  | M-28 | 10995553 | Motor cable               |
| C-1   | 10995531 | Guide roller             | M-29 | 10995554 | Cord grip PG13.5          |
| C-2   | 10995532 | Adj. guide roller long   | M-30 | 10995557 | Capacitor retainer        |
| C-3   | 971897   | Hex. screw M8x16         | M-31 | 10995555 | Capacitor 65µF/450V       |
| C-4   | 10995508 | Handle rubber sleeve     | M-32 | 10995556 | Capacitor cover           |
| C-5   | 10995509 | Handle bar               | M-33 | 10995520 | Lenshead screw M5x16      |
| C-6   | 10995417 | Washer M8 8.4/16/1.6     | S    | 10995530 | Switch assy with cable    |
| C-7   | 10995507 | Lock washer M8           | S-1  | 10990985 | Lenshead screw M4x12      |
| C-8   | 971896   | Hex. screw M8x12         | S-2  | 10995535 | Switch                    |
| C-9   | 10995533 | Cutting head carriage    | S-3  | 10995536 | Switch housing panel      |
| C-10  | 10995534 | Adj. guide roller short  | S-4  | 10995537 | Switch housing            |
| M     | 10995529 | Motor assy 230V/50Hz     | S-5  | 10995538 | Cable grip PG9            |
| M-1   | 977631   | Hex. nut M20 x 0.8d left | S-6  | 10995539 | Power cable with plug     |