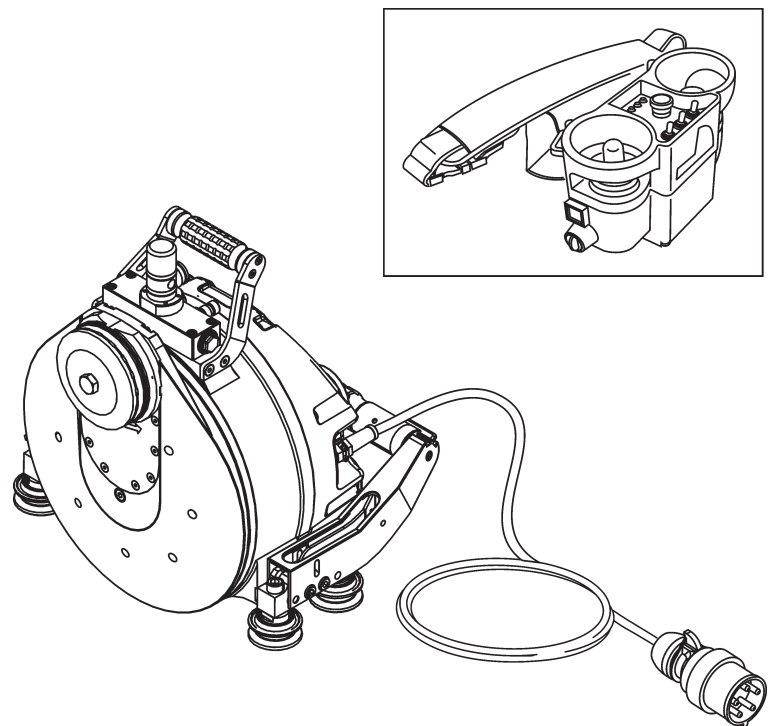


Ersatzteilliste

Spare Parts List / Liste des pièces détachées / Lista delle parti di ricambio

WSE811 ★ ★ ★

Index 002



Verwendung der Ersatzteilliste

Die Ersatzteilliste ist keine Montage- oder Demontageanleitung. Diese Ersatzteilliste dient ausschliesslich zum einfachen und schnellen Finden von Ersatzteilen, die bei der untenstehenden Adresse bestellt werden können.

Sicherheitsvorschrift



Gefahr

Montieren oder demontieren von Baugruppen kann Risiken bergen, auf die in dieser Ersatzteilliste nicht hingewiesen wird.

Das Verwenden dieser Ersatzteilliste für Montage- oder Demontagezwecke ist strikte verboten. Für Montage- und Demontearbeiten sind ausschliesslich die entsprechenden Beschreibungen in der Betriebsanleitung zu befolgen.

Nichtbeachten dieser Vorschrift kann zu Verletzungen führen, die im schlimmsten Fall auch den Tod zur Folge haben könnten.

Bestellungen



Information

Um Falschliefungen zu vermeiden sollten vor der Versendung die Angaben in der Bestellung auf Richtigkeit und Vollständigkeit (siehe unter Bestellangaben) überprüft werden. Es ist auch darauf zu achten, dass die Lieferadresse vollständig angegeben ist.

Bestelladresse

TYROLIT Hydrostress AG

Witzbergstrasse 18

CH-8330 Pfäffikon

Switzerland

Telefon +41 (0) 44 / 952 18 18

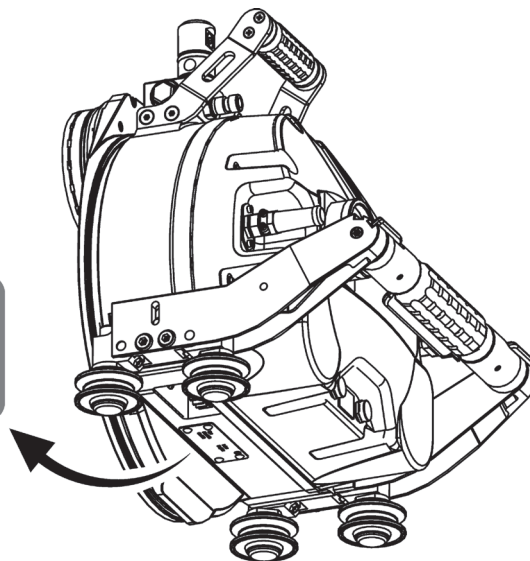
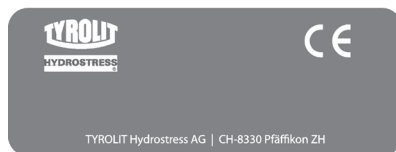
Telefax +41 (0) 44 / 952 18 00

e-mail: info@tyrolit.com

www.tyrolit.com

Ersatzteilliste

Bestellangaben



Bei Bestellungen von Ersatzteilen benötigen wir folgende Angaben:

- Maschinentyp gemäss Typenschild (z.B. WSE811 ★★★)
- Maschinennummer gemäss Typenschild (z.B. 10994000)
- Maschinenindex gemäss Typenschild (z.B. 002)
- Ersatzteilnummer gemäss Ersatzteilliste (z.B. 961901)

Für Bestellungen, Fragen und Informationen wenden Sie sich bitte an die zuständige Niederlassung.

How to use the spare parts list

The spare parts list is not intended as instructions for assembly or dismantling work. It is exclusively intended to help you to quickly and easily find spare parts, which can then be ordered at the address below.

Safety regulations



Danger

The assembling or dismantling of modules can involve risks which are not identified in this spare parts list.
The use of this spare parts list for assembly or dismantling purposes is strictly forbidden. For assembly or dismantling tasks it is essential to only follow the corresponding descriptions in the operating manual.
If this regulation is not heeded injuries may be incurred which in the worst case can also be fatal.

Ordering



Information

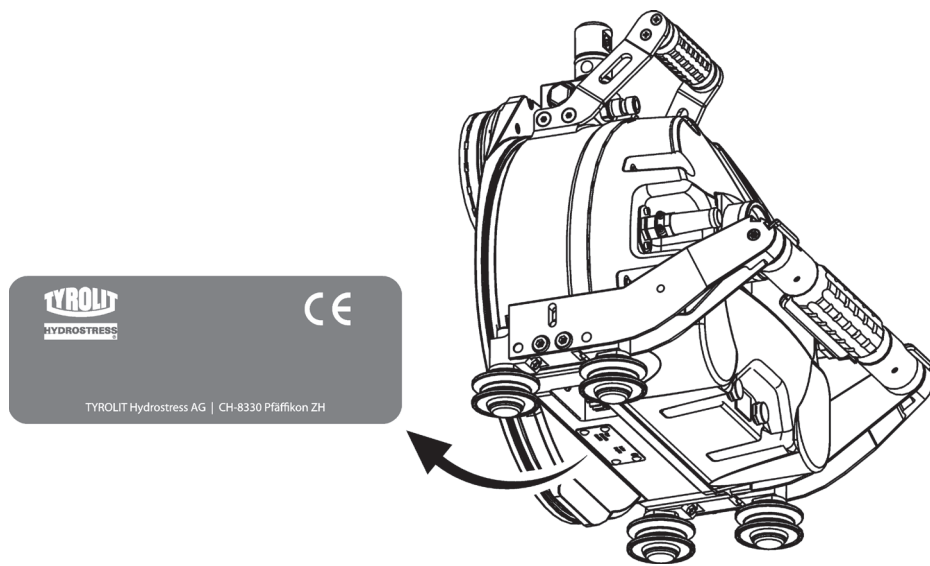
To avoid incorrect deliveries you should check the order details for correctness and completeness (see under ordering details) prior shipment.
You should ensure that the delivery address is given in full.

Order address

TYROLIT Hydrostress AG
Witzbergstrasse 18
CH-8330 Pfäffikon
Switzerland
Tel. +41 (0) 44 / 952 18 18
Fax +41 (0) 44 / 952 18 00
e-mail: info@tyrolit.com
www.tyrolit.com

Spare Parts List

Ordering details



When spare parts are ordered we need the following details:

- Machine type according to nameplate (e.g. WSE811 ★★★)
- Machine number according to nameplate (e.g. 10994000)
- Machine index according to nameplate (e.g. 002)
- Spare part number according to the spare parts list (e.g. 961901)

For orders, questions and information please contact your responsible branch office.

Utilisation de la liste des pièces détachées

La liste des pièces détachées n'est pas une instruction de montage ou de démontage. Cette liste sert exclusivement à trouver simplement et rapidement les pièces détachées, qui peuvent être commandées à l'adresse mentionnée ci-dessous.

Prescription de sécurité



Danger

Le montage ou le démontage des modules peut présenter des risques dont il n'est pas fait mention dans cette liste des pièces détachées.
Il est strictement interdit d'employer cette liste des pièces détachées à des fins de montage ou de démontage. Pour les opérations de montage et de démontage, il faut exclusivement suivre les descriptions correspondantes dans le mode d'emploi.
Le non-respect de la présente prescription peut conduire à des blessures, pouvant même entraîner la mort.

Commandes



Information

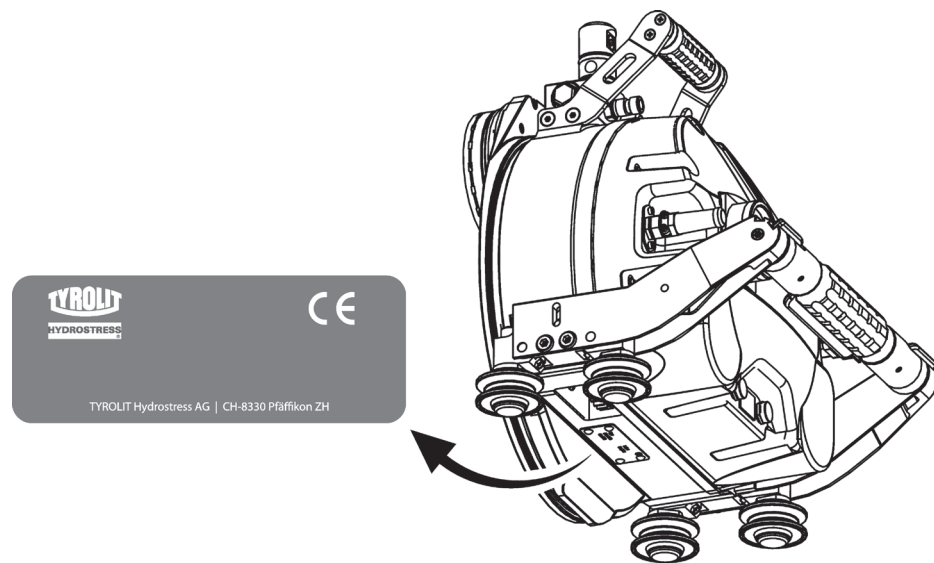
Pour éviter des livraisons inappropriées, il est conseillé de vérifier avant l'expédition l'exactitude et l'exhaustivité des indications fournies dans la commande (voir Données de commande).
Il faut aussi veiller à bien indiquer l'adresse de livraison en entier.

Adresse de commande

TYROLIT Hydrostress AG
Witzbergstrasse 18
CH-8330 Pfäffikon
Suisse
Téléphone +41 (0) 44 / 952 18 18
Télécopie +41 (0) 44 / 952 18 00
e-mail: info@tyrolit.com
www.tyrolit.com

Liste des pièces détachées

Données de commande



Lors de la commande de pièces détachées, nous avons besoin des données suivantes :

- Type de machine selon la plaque signalétique (p.ex. WSE811 ★★★)
- Numéro de machine selon la plaque signalétique (p.ex. 10994000)
- Indice de machine selon la plaque signalétique (p.ex. 002)
- Numéro de pièce détachée selon la liste des pièces détachées (p.ex. 961901)

Pour les commandes, questions et informations, vous êtes prié de vous adresser à la filiale compétente.

Uso della lista delle parti di ricambio

La lista delle parti di ricambio non è un manuale d'istruzioni per montaggio o smontaggio. Questa lista delle parti di ricambio serve esclusivamente per trovare in modo semplice e rapido parti di ricambio che possono essere ordinate all'indirizzo riportato qui sotto.

Norme di sicurezza



Pericolo

Il montaggio o lo smontaggio di componenti della macchina può comportare pericoli che non sono indicati in questa lista delle parti di ricambio. E' assolutamente vietato servirsi di questa lista delle parti di ricambio per scopo di montaggio o di smontaggio. Per operazioni di montaggio o smontaggio occorre seguire esclusivamente le relative istruzioni nel manuale per l'uso della macchina. La mancata osservanza di queste norme può comportare lesioni, e nel caso peggiore anche la morte.

Ordinazioni



Information

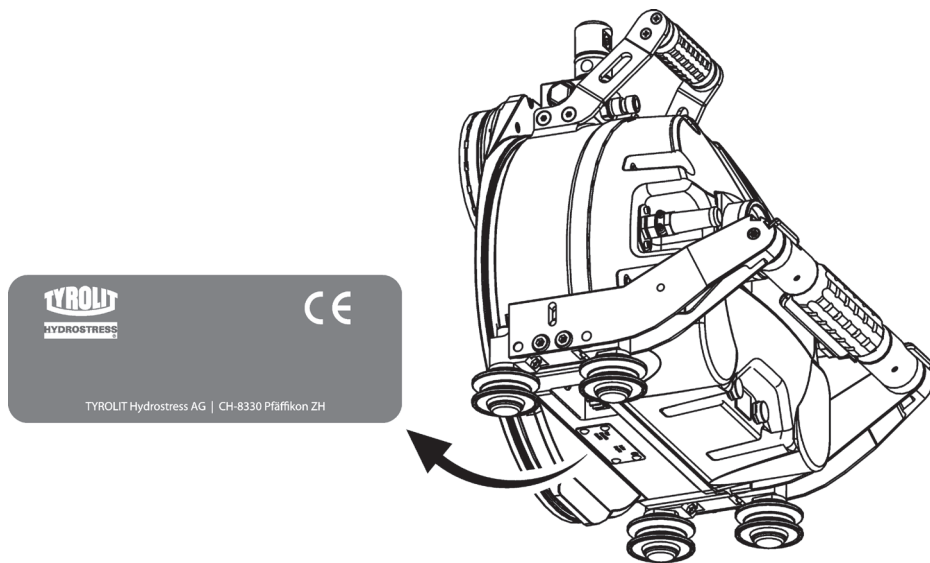
Per evitare forniture incorrette, occorre verificare prima dell'invio dell'ordinazione se i dati indicati in essa sono corretti e completi (vedere la lista dei dati per l'ordinazione). Occorre verificare anche se l'indirizzo per la consegna è esatto e completo..

Indirizzo per ordinazioni

TYROLIT Hydrostress AG
Witzbergstrasse 18
CH-8330 Pfäffikon
Svizzera
Tel. +41 (0) 44 / 952 18 18
Fax +41 (0) 44 / 952 18 00
e-mail: info@tyrolit.com
www.tyrolit.com

Lista delle parti di ricambio

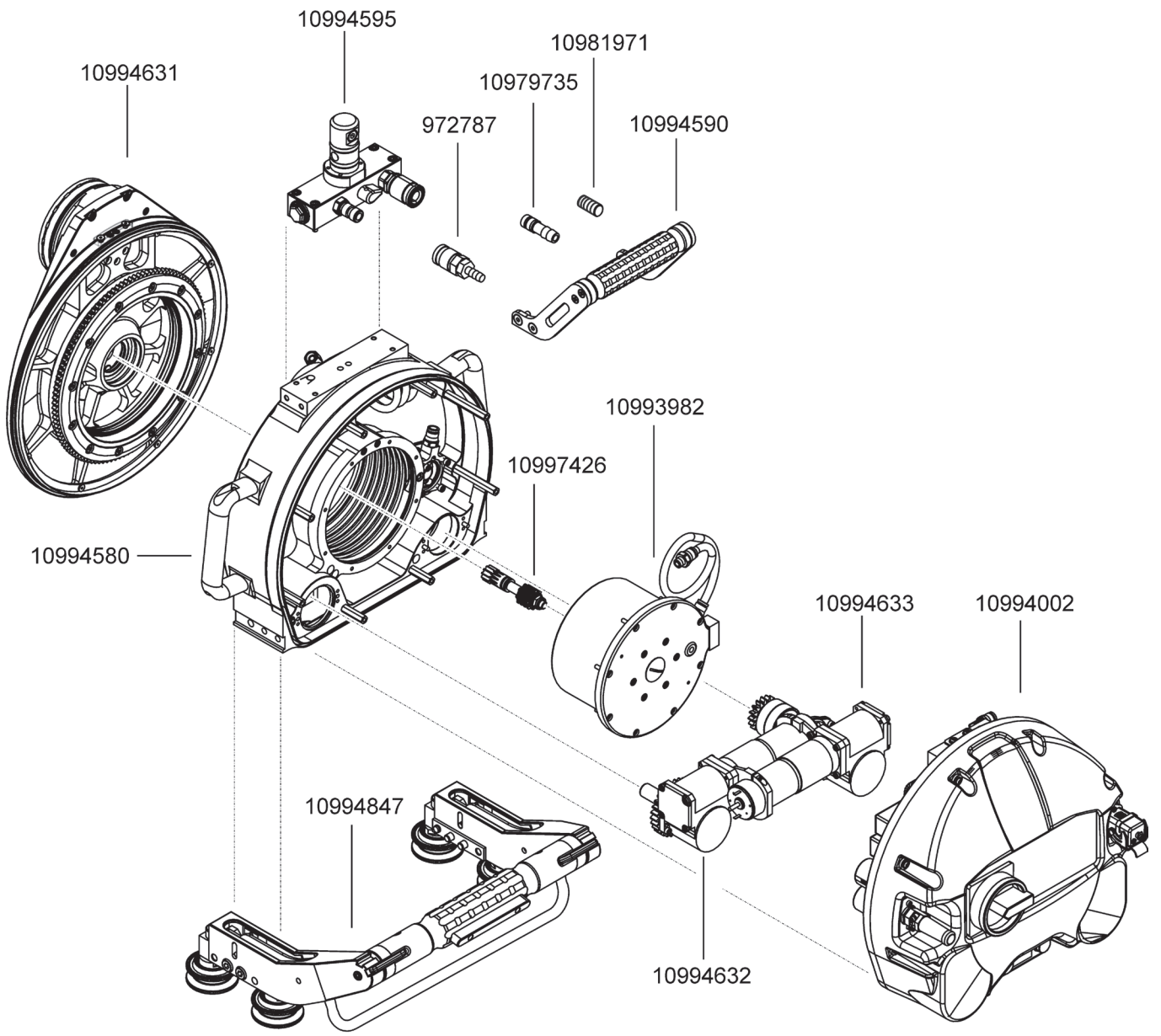
Dati per l'ordinazione



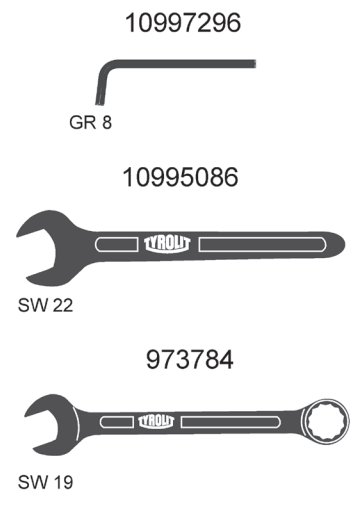
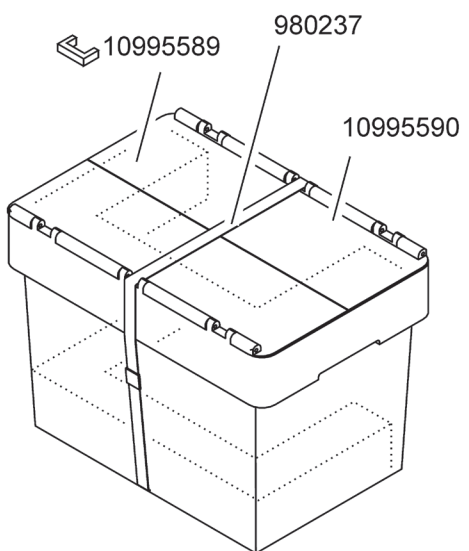
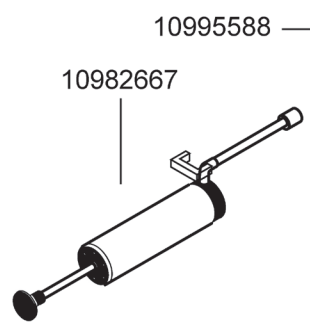
Per ordinazioni di parti di ricambio ci occorrono i dati seguenti:

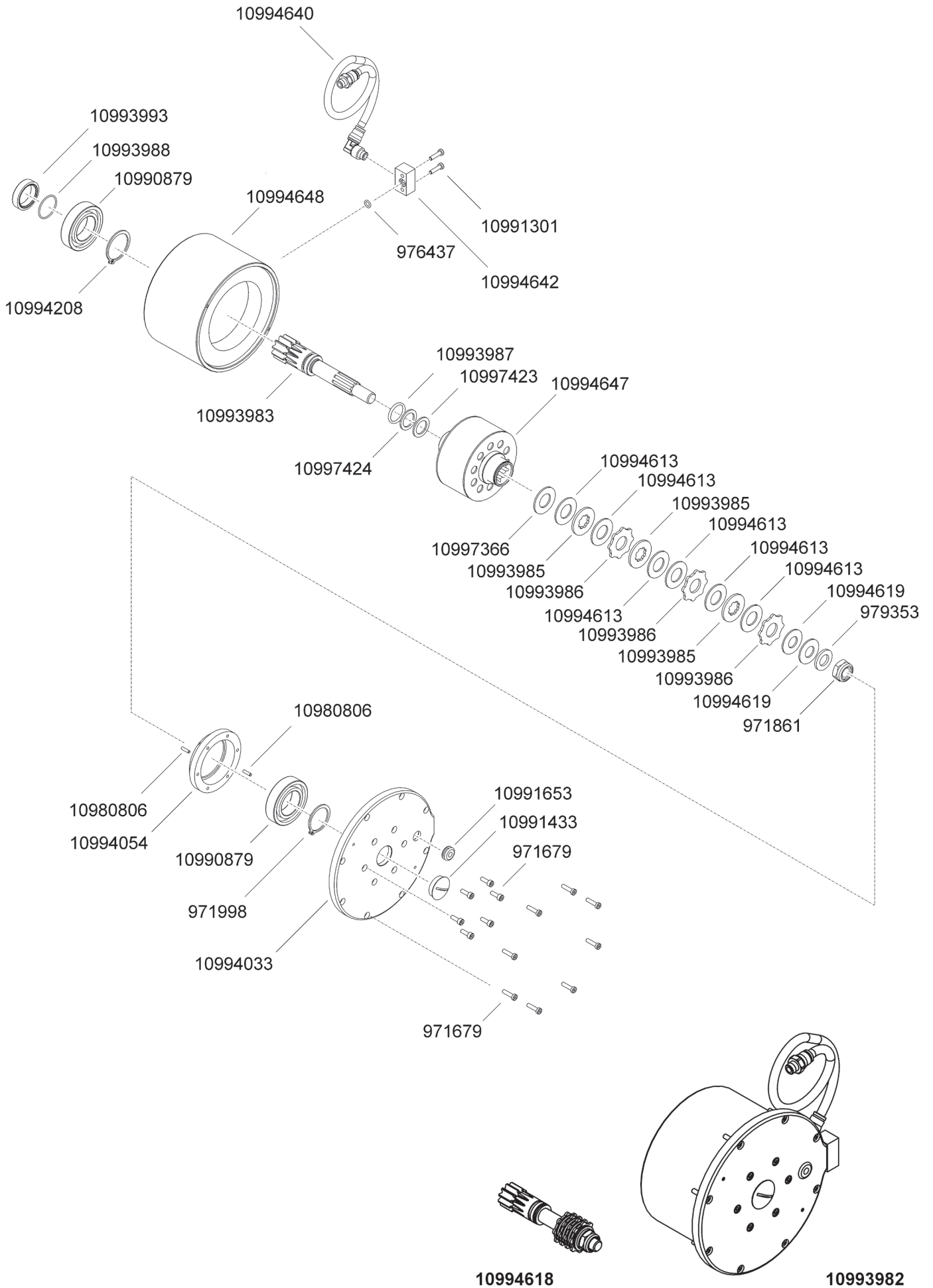
- Tipo di macchina indicato sulla targhetta della macchina (per es. WSE811 ★★★)
- Numero della macchina indicato sulla targhetta della macchina (per es. 10994000)
- Indice della macchina indicato sulla targhetta della macchina (per es. 002)
- Numero della parte di ricambio secondo la lista di parti di ricambio (per es. 961901)

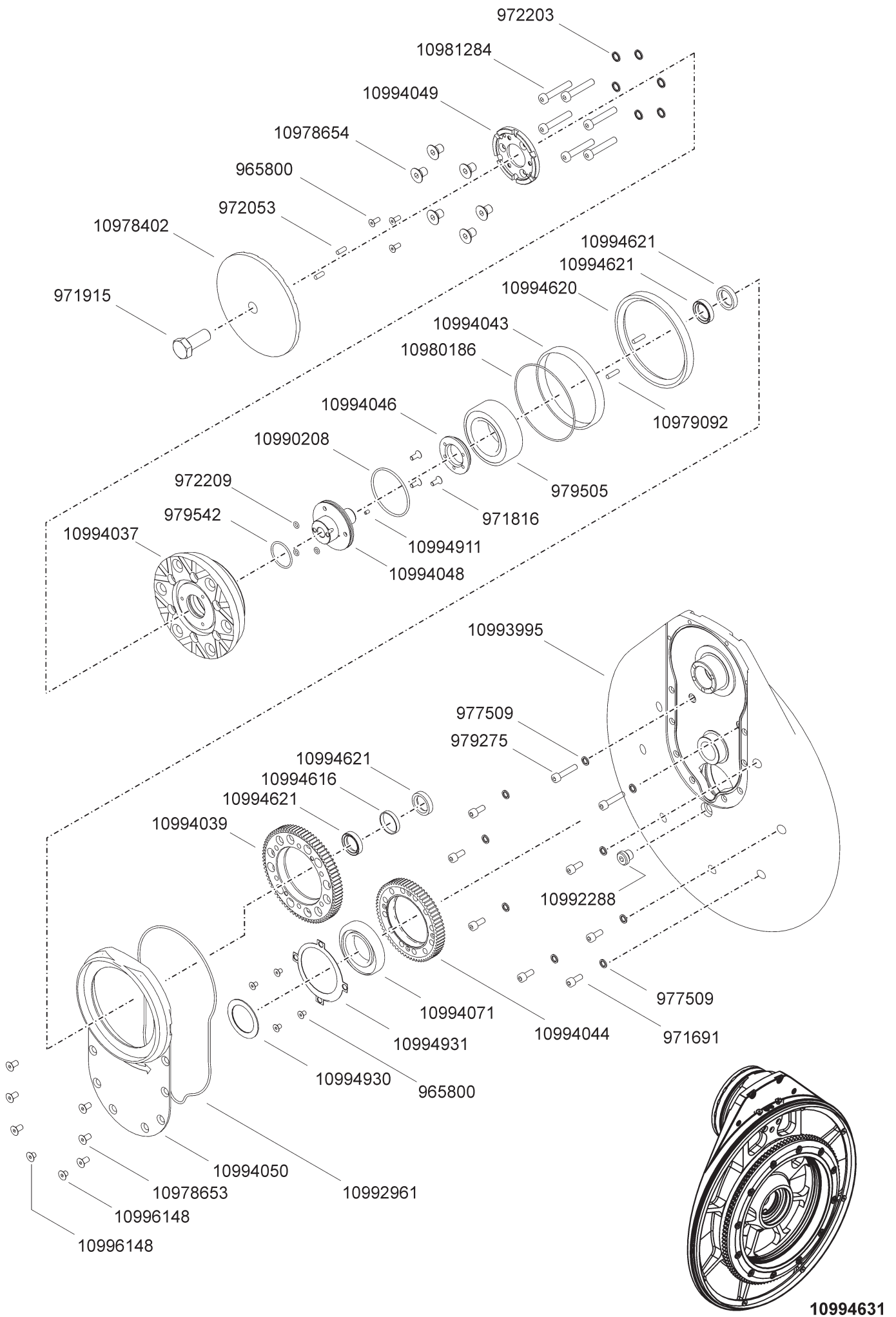
Per ordinazioni, domande o richieste d'informazioni Vi preghiamo di rivolgerVi all'agenzia competente.

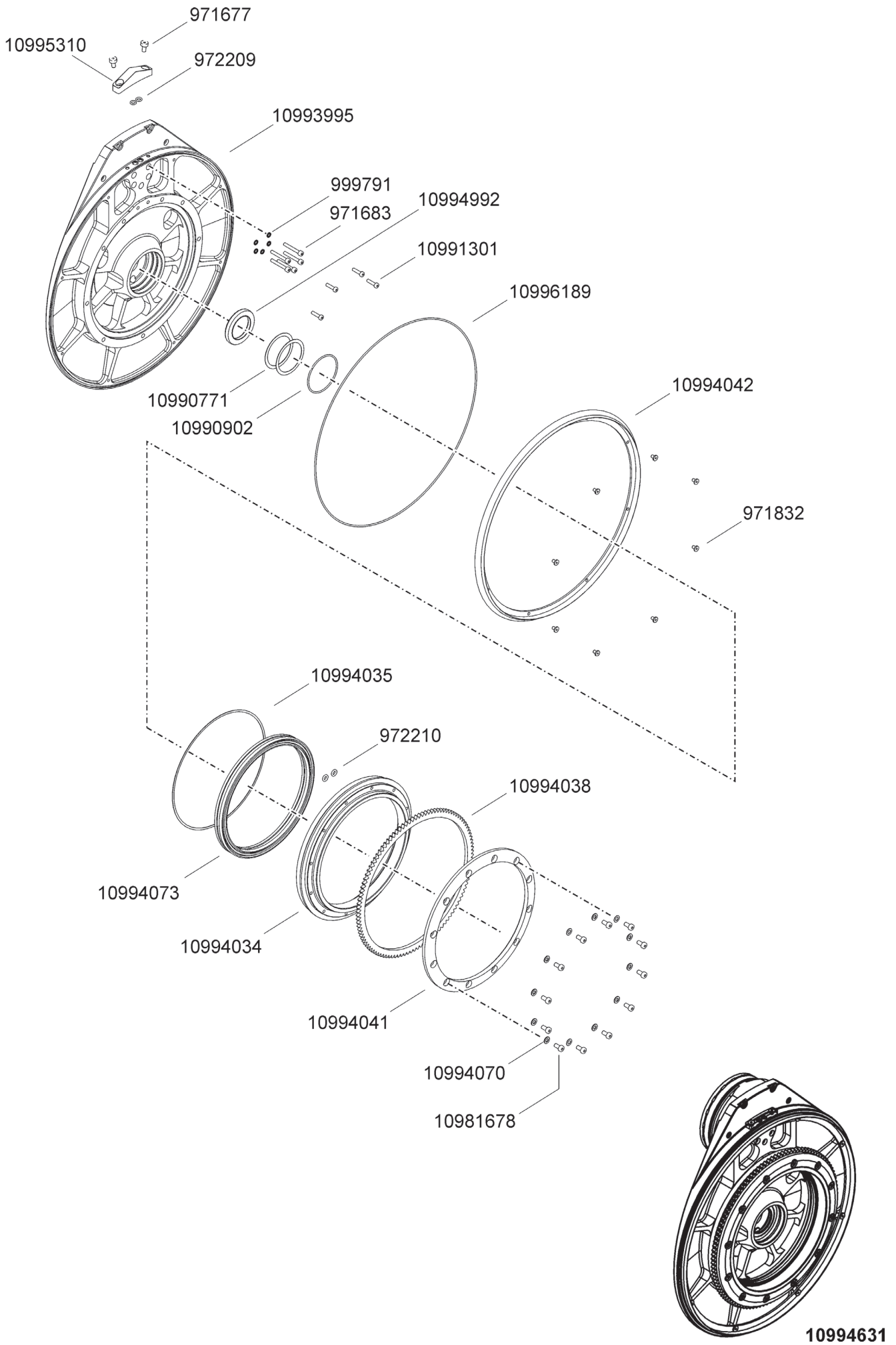


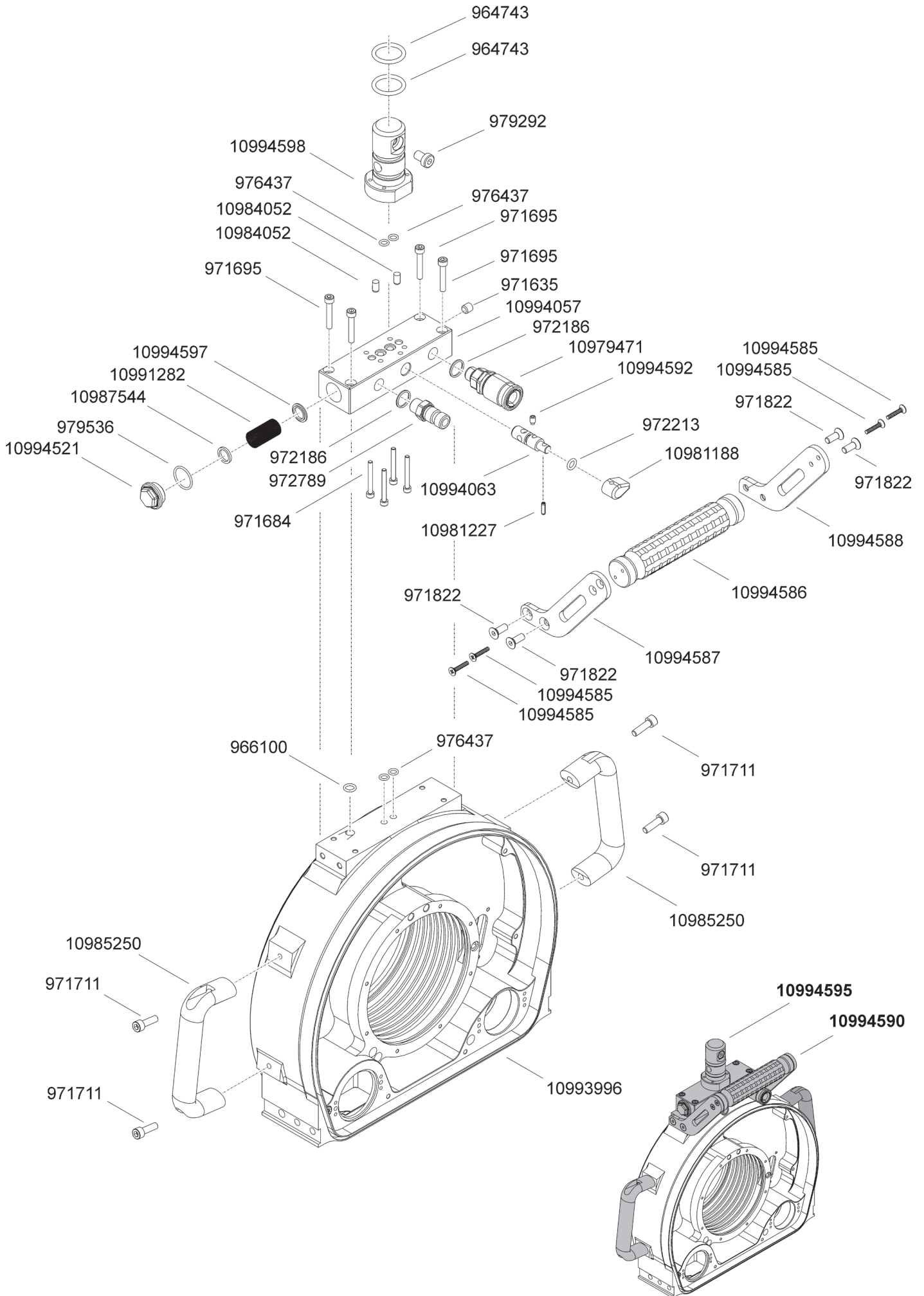
10992642

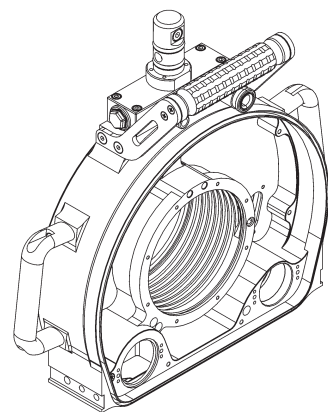
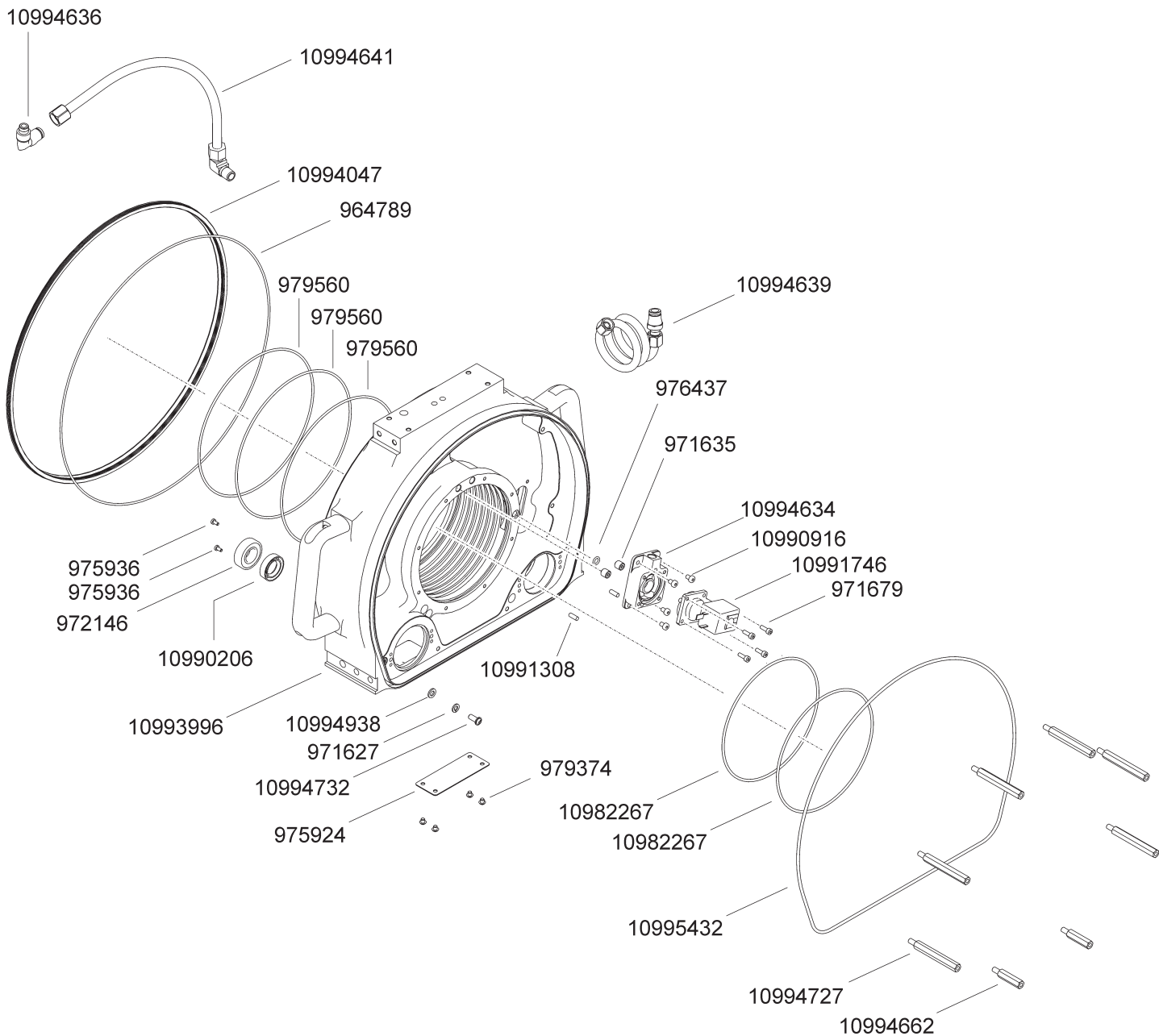


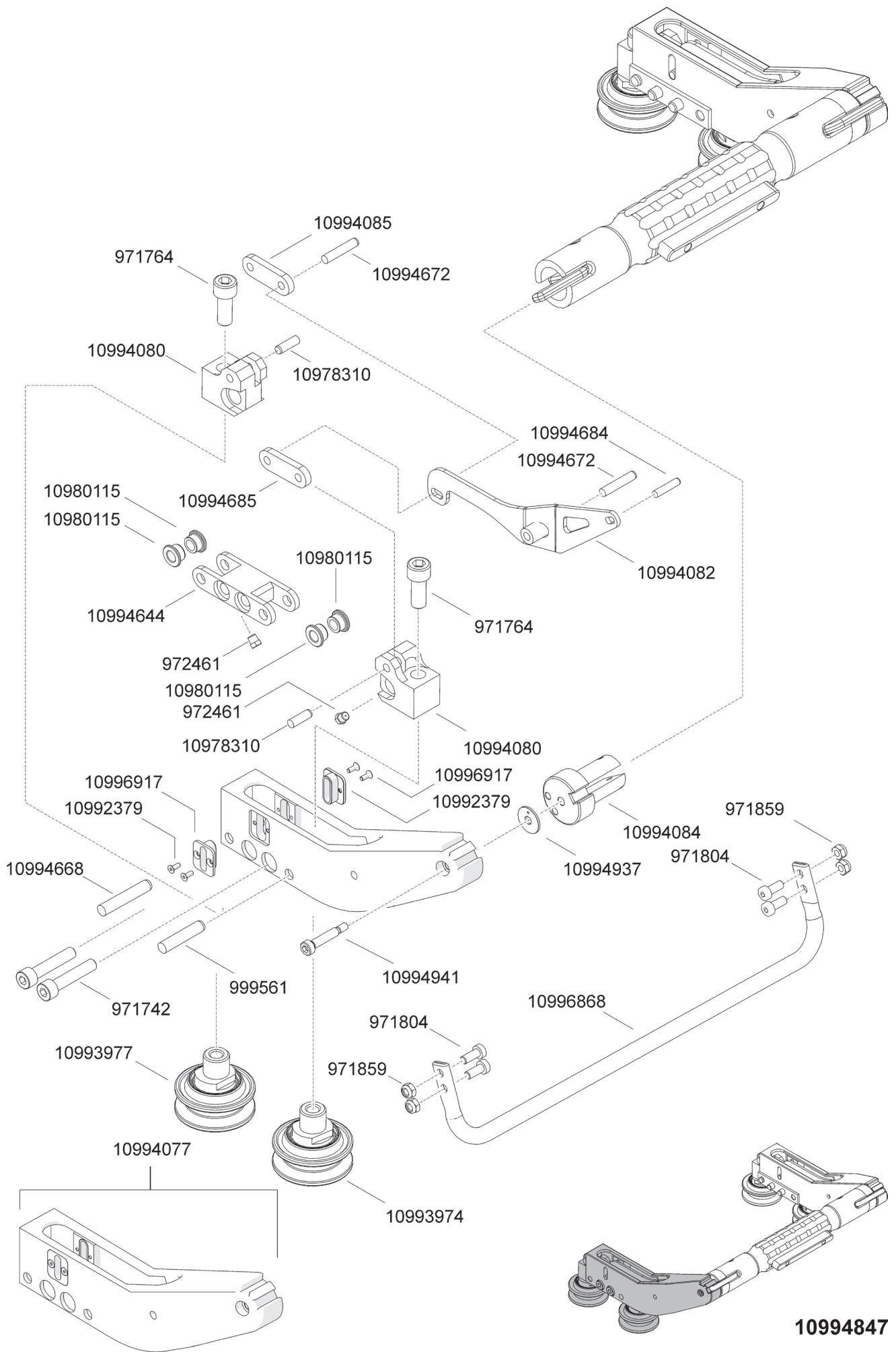




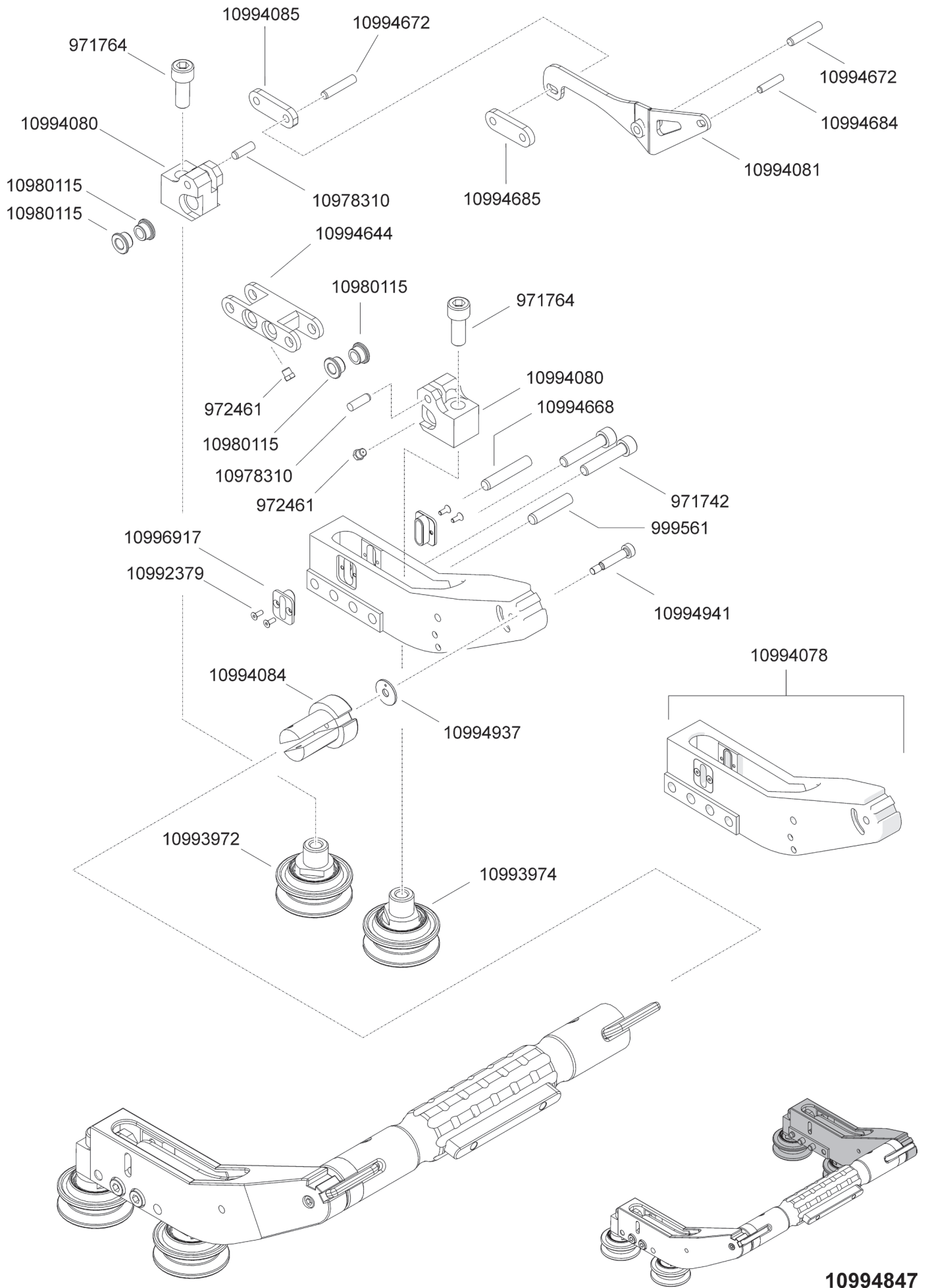


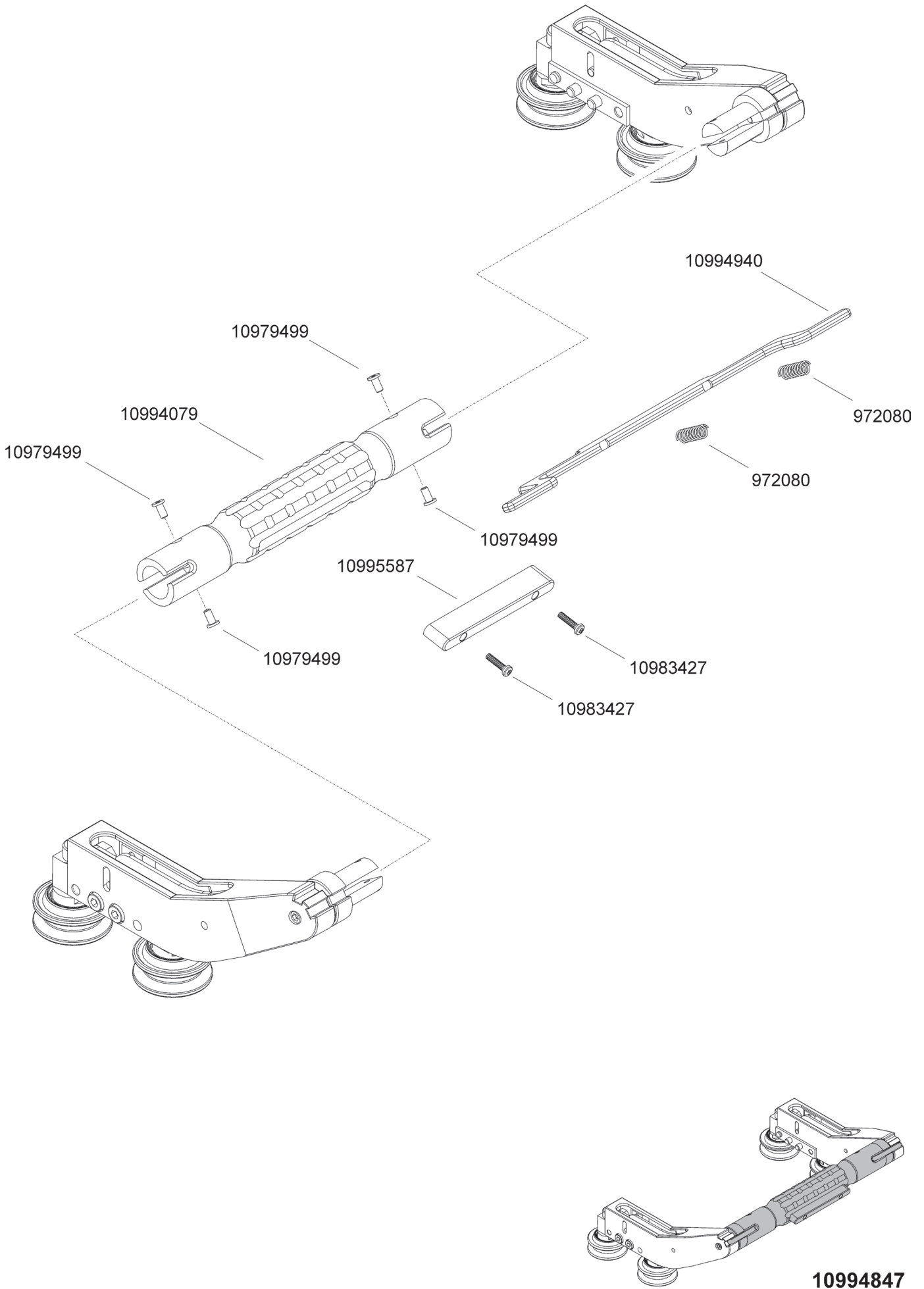


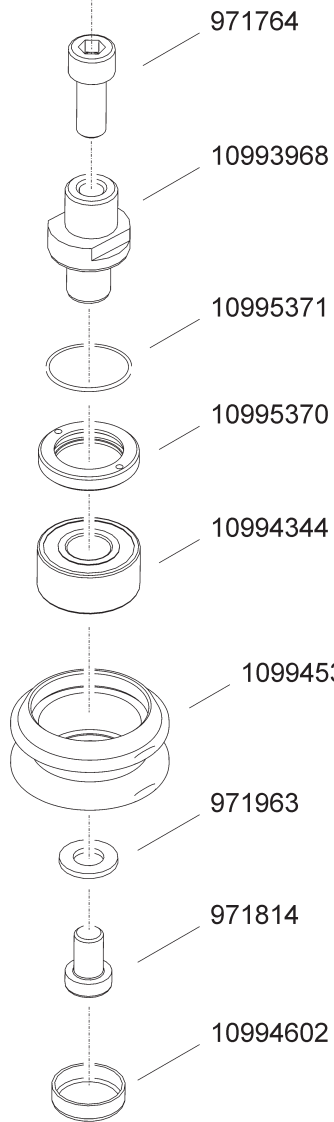
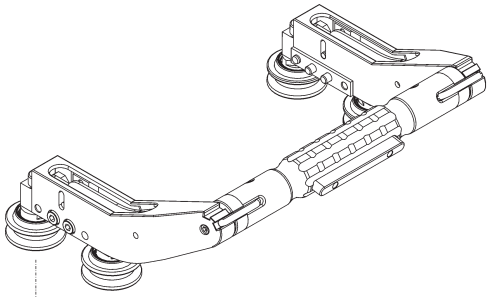




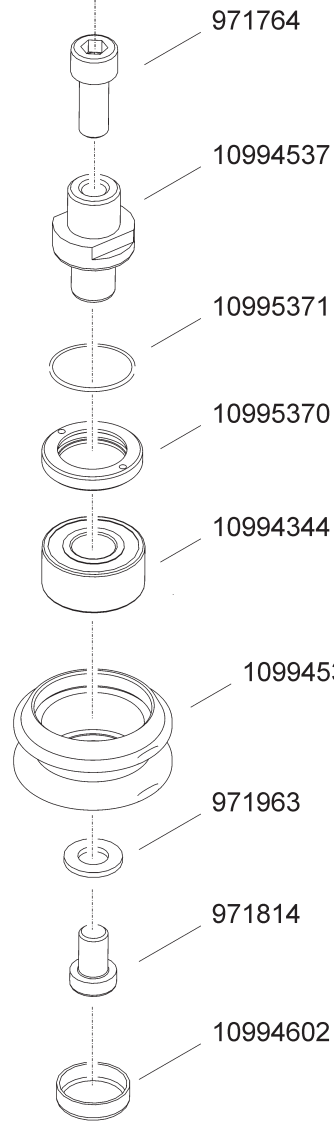
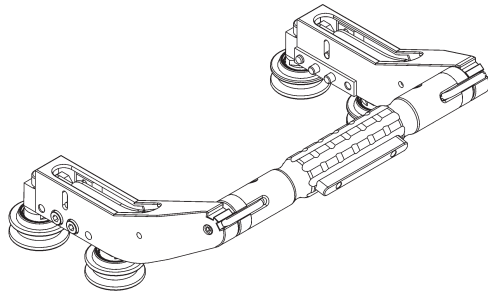
10994847



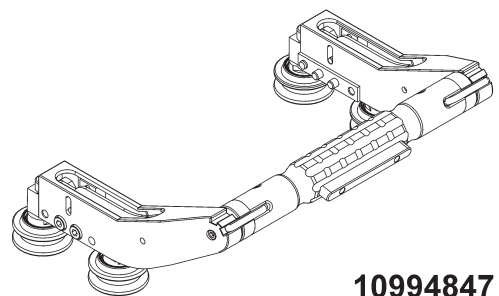




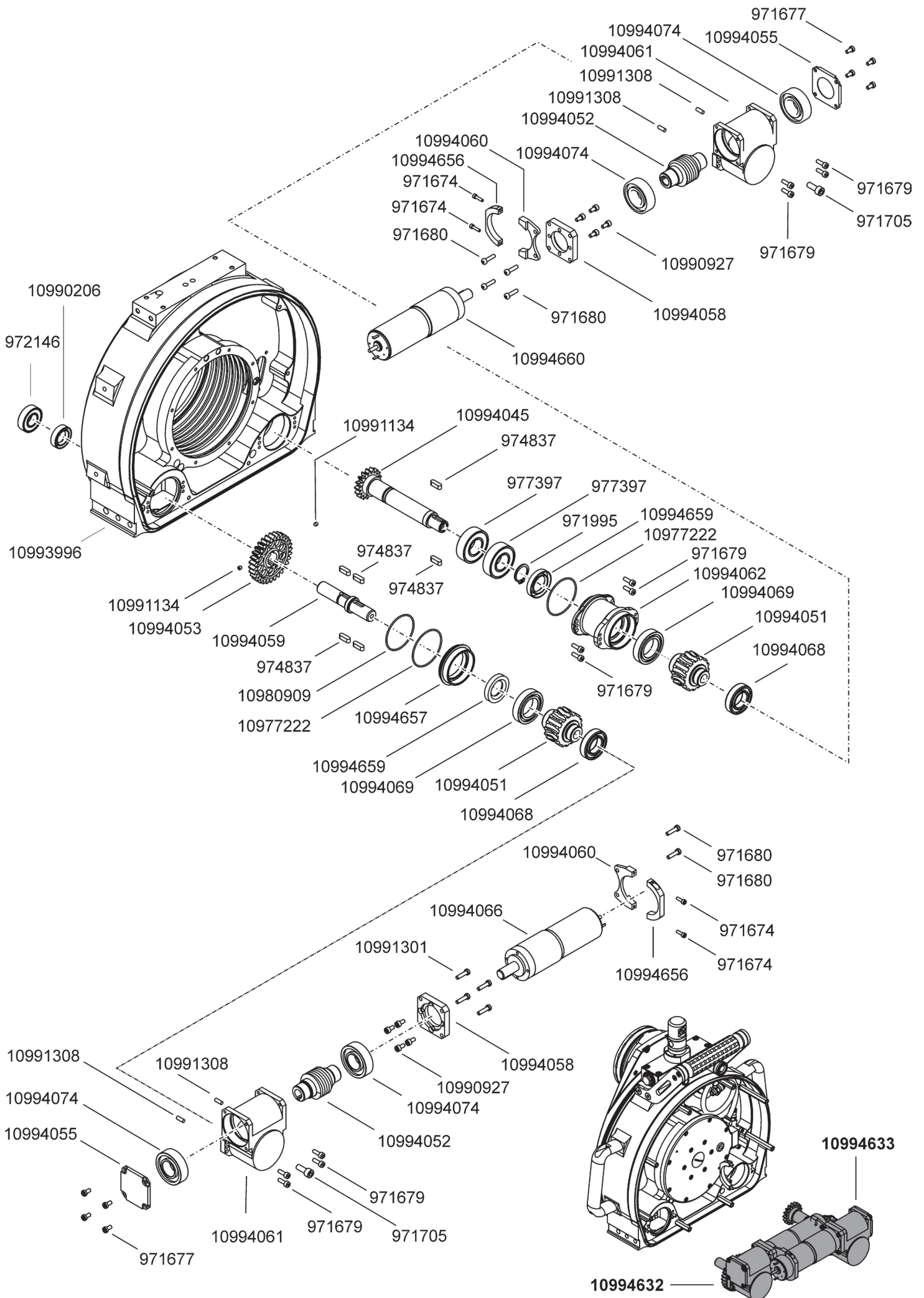
10993972

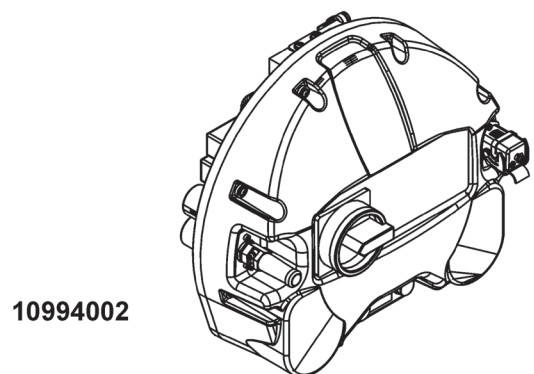
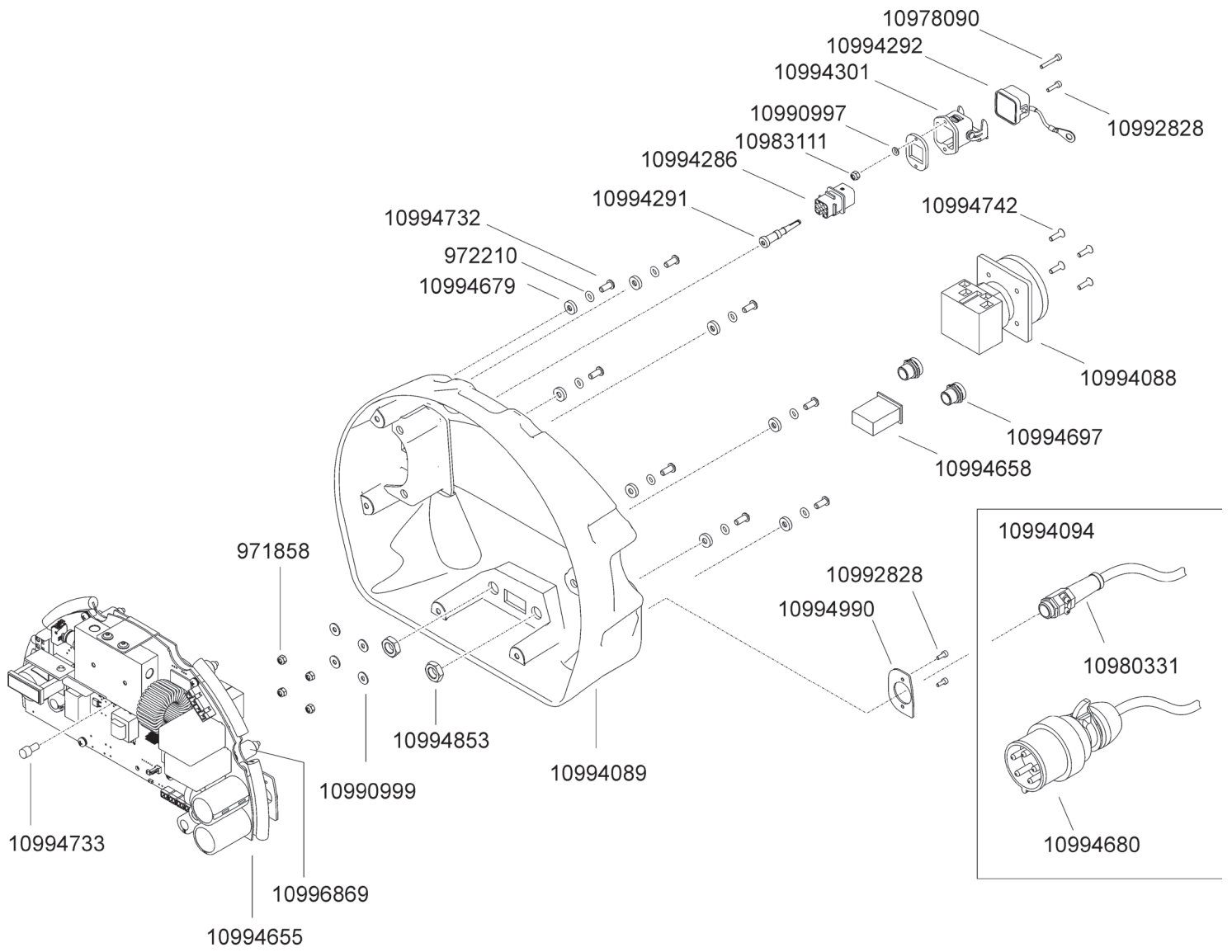


10993974



10994847





WSE811★★★

962664	Type plate sticker	972787	Water coup. fem.SL013 n-r
964743	O-ring 24.00x3.50 N 70	972789	Plug nipple 1/4" A1-WRO13
964789	O-ring 290.00x2.50 N 70	974837	Shaft key 5x5x16
965800	Countersunk screw M4x6	975924	TY-HS type plate 80x30
966100	O-ring 8.00x2.00 N 70	975936	Socket screw flhd M3x6
971627	Spring washer M5 DIN 127A	976437	O-ring 6.00x2.00 N 70
971635	Threaded pin M8x8	977397	Gr. ball bear. 6004-2RS
971674	Socket screw M3x10	977509	MEGU seal 5.7/9.0x1.00
971677	Socket screw M4x8	979275	Socket screw M5x25
971679	Socket screw M4x12	979292	Socket screw flhd M8x12
971680	Socket screw M4x16	979353	Washer M8
971683	Socket screw M4x30	979374	Grooved nail 4x6
971684	Socket screw M4x35	979505	Gr. ball bear. 3007-2RS
971686	Socket screw M5x6	979536	O-ring 20.00x2.00 N 70
971691	Socket screw M5x16	979542	O-ring 25.12x1.78 N 70
971695	Socket screw M5x30	979560	O-ring 160.00x1.50 N 70
971705	Socket screw M6x16	999561	Straight pin 8h6 x 40
971711	Socket screw M6x25	999791	MEGU seal 4.5/7.0x1.00
971742	Socket screw M8x40	10977222	O-ring 46.00x1.50 N 70
971764	Socket screw M10x25	10978090	Socket screw M3x16
971804	Socket screw flhd M5x12	10978310	Straight pin 6h6 x 20
971814	Socket screw flhd M10x16	10978402	Blade cover EX
971816	Countersunk screw M4x10	10978653	Countersunk screw M5x10
971822	Countersunk screw M6x16	10978654	Countersunk scew M8x12
971832	All.screw extr.flhd M4x6	10979011	Gear oil Klüber GEM4-150N
971833	All.screw extr.flhd M4x8	10979092	Straight pin 4m6 x 16
971858	Lock nut M4 thin head	10979127	Sticker TY-HS Gr.1 silver
971859	Lock nut M5 thin head	10979129	Sticker TYHS size 3 silv.
971861	Lock nut M8 thin head	10979471	Coupling LP-006-0-WR013
971915	Hex. screw M12x25	10979499	All.screw extr.flhd M5x10
971963	Washer M10 10.5/20/2	10979735	Hose nip. LP-006-1-SL01
971995	Circlip shaft dia 20	10980115	Fl. bear bush BP25 8/12x8
971998	Circlip shaft dia 30	10980186	O-ring 80.00x1.50 N 70
972053	Straight pin 4m6 x 12	10980331	Cable fitting sp. M16x1.5
972080	Pr. spring 6.3/0.8x23	10980806	Straight pin 3m6 x 12
972146	Gr. ball bear. 6002-2RS	10980909	O-ring 44.00x1.50 N 70
972186	Copper seal G1/4	10981188	Turning knob
972203	MEGU seal 7.3/10.2x1.00	10981227	Coiled spring pin 4x12
972209	O-ring 4.00x1.50 N 70	10981284	Socket screw flhd M6x35
972210	O-ring 5.00x2.50 N 70	10981678	Socket screw flhd M5x10
972213	O-ring 7.00x2.50 N 70	10982267	O-ring 135.00x2.50 N 70
972224	O-ring 12.00x4.00 N 70	10982667	Blow pump
972461	Grease nipple D1 M6	10983111	Lock nut M3 thin head

WSE811★★★

10983427	PT-screw K30x12 lens A2	10994037	Flange
10984052	Straight pin 6m6 x 12	10994038	Gear ring z110
10985250	Bow-t. handle EL 725.1 PP	10994039	Hub gear z79
10987544	Flat sealing to Y-filter	10994041	Pressure ring
10990206	Sh.seal A 15/28/7 FKM RF	10994042	Sliding ring
10990208	O-ring 48.00x2.00 N 70	10994043	Shaft protection sleeve
10990771	Spacer disc dia 45	10994044	Intermediate gear z67
10990879	Gr. ball bear. 6006-2Z C4	10994045	Swivelling pinion z17
10990902	O-ring 54.00x2.00 N 70	10994046	Tensioning ring
10990916	Socket screw flhd M4x6	10994047	Lip seal profile EPDM
10990927	Socket screw flhd M4x8	10994048	Uptake mandrel
10990997	Corrug. washer M3	10994049	Blade centring
10990999	Washer dia 4.3/12/1.0	10994050	Arm cover
10991134	Threaded pin M4x5	10994051	Worm wheel
10991282	Filter element 250µm	10994052	Worm gear
10991301	Socket screw flhd M4x16	10994053	Drive pinion z30
10991308	Staight pin 4h6 x 12	10994054	Bearing support
10991433	Drain plug M25x1.5	10994055	Bearing cover
10991653	Cable sleeve 12x16x3 DA	10994057	Water connection block
10991746	Water valve elect. on/off	10994058	Flange PLG42
10992288	Plug screw GN749 G1/8A	10994059	Drive shaft
10992379	Countersunk screw M3x8	10994060	Torque support
10992642	Safety instr. label 80x17	10994061	Drive gear housing
10992828	Socket screw M3x12	10994062	Spacer housing
10992961	O-ring 160.00x2.00 N 70	10994063	Rotary valve
10993968	Excentric hub	10994066	Motor/gearbox 150W i=26
10993972	Excen. roller assy WSE811	10994068	Grooved ball bearing 6904
10993974	Guide roller assy WSE811	10994069	Grooved ball bearing 6905
10993982	El. mot. 400V/50Hz WSE811	10994070	Disc spring Ø10/5.2x0.5
10993983	Rotor pinion	10994071	Grooved ball bear. 16006
10993985	Pressure disc shaft	10994073	Four point bearing 74064A
10993986	Clutch disc	10994074	Angular ball bearing 7004
10993987	O-ring 12.00x1.50 N 70	10994077	Support lft
10993988	O-ring 26.00x1.50 N 70	10994078	Support rgt
10993993	Sealing ring	10994079	Handle
10993995	Swivel ring	10994080	Roller support
10993996	Support WSE811	10994081	Lever rgt
10994000	Wall saw WSE811 assy	10994082	Lever lft
10994001	Saw head WSE811	10994084	Sleeve
10994002	El. control unit WSE811	10994085	Knee lever P
10994033	B flange	10994088	Main switch 16A 3-term.
10994034	Outer ring	10994089	Cover hood WSE811
10994035	Positioning ring	10994094	Mains cable assy

WSE811 ★★★

10994208	Circlip shaft dia 34	10994668	Straight pin 8h6 x 45
10994292	Cover cap	10994672	Straight pin 6h6 x 32
10994301	Addition case	10994677	Remote ctr WSE811 assy
10994344	Ang. ball bear. 3202-2RS	10994679	Screw collar M5
10994521	Cover to Y-filter	10994680	Plug type CEE16/5-pole
10994537	Hub	10994684	Straight pin 5h6 x 24
10994538	Guide roller	10994685	Knee lever
10994580	Housing assy	10994697	Pressure balance elem M12
10994585	PT screw K40x20 counters.	10994727	Distance piece M5x60
10994586	Handle	10994733	Bump stop Ø15x15 M4
10994587	Handle holder lft	10994742	Countersunk screw M4x14
10994588	Handle holder rgt	10994847	Rail guide assy
10994590	Handle assy	10994853	Counter nut M12x1,5 plast
10994592	Threaded pin M5x8	10994911	Threaded pin M3x5
10994595	Blade guard holder assy	10994912	Straight pin 4h6 x 12
10994597	Centring sealing	10994930	Shim ring dia 30/42x1.0
10994598	Pin	10994931	Protection ring
10994602	End cover Ø25x8	10994937	Stop disc WTM-0620-015
10994613	Brake disc	10994938	Serr. washer M5 DIN6798A
10994616	Spacer ring 22/23.8x4	10994940	Lever
10994618	Overload clutch assy	10994941	Shoulder screw 6x25/M5
10994619	Disc spring Ø18/8.2x1.0	10994990	Opposite plate cable
10994620	Sh.seal A 85/100/9 NBR RF	10994992	Sh.seal AS35/52/6 FPM
10994621	Sh.seal A 16/24/5 NBR RF	10995086	Fork wrench AF22 4mm
10994631	Swivel arm assy	10995310	Sealing cap
10994632	Feed motor assy drive	10995370	Threaded ring
10994633	Feed motor assy swivel	10995371	O-ring 28x2.50 N 70
10994634	Water valve housing	10995395	Dehumidification bag
10994636	Elbow union 1/8" Ø8	10995432	O-ring 302x4 CR foam
10994639	Hose no. 1007	10995587	End stop
10994640	Hose no. 1008	10995590	Box
10994641	Hose no. 1009	10996148	Socket screw M5x6
10994642	Water connection piece	10996189	O-ring 310x2.00 N 70
10994644	Bearing support	10996868	Guard bracket WSE811
10994647	Rotor assy	10996917	Insert bush
10994648	Stator assy	10996922	Lenshead screw TxM5x16
10994655	Control unit WSE811	10997296	Hex-wrench long size 8sh
10994656	Bracket top	10997366	Cetering disk
10994657	Bearing support	10997423	Pressure disc
10994658	Op. hours count 4.5-35VDC	10997424	Clutch disc
10994659	Sh.seal A 20/35/6 NBR RF		
10994660	Motor/gearbox 150W i=19		
10994662	Distance piece M5x30		

NOTES

